

10BASE-T LAN MAGNETICS

Single Port Transformer Modules

LM00505

- Transformer turns ratio RX 1CT : 1CT and TX 2CT : 1CT
- Single-port modules available with and without common mode chokes
- Conforms to IEEE 802.3 standards
- Low profile, surface mount packaging rated to 225° C peak IR reflow temperature
- Operating temperature 0° to 70° C
- Minimum interwinding breakdown voltage of 1500 Vrms

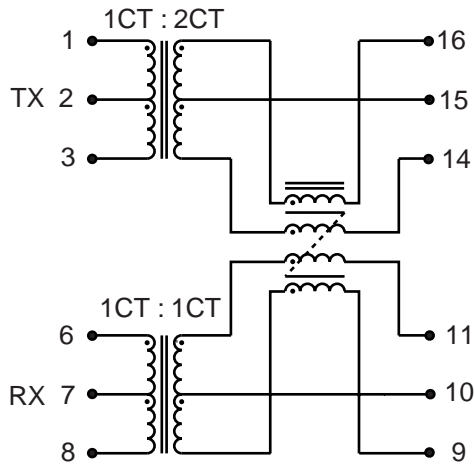
ELECTRICAL SPECIFICATIONS AT 25° C

Part Number	Insertion Loss dB max	OCL μH min		Return Loss dB min		Common to Common Mode Rejection dB min		Crosstalk dB min
		1MHz to 10MHz	TX	RX	1MHz to 10MHz	5MHz to 10MHz	10MHz to 30MHz	
Transformers Only								
S553-1084-01	-1.0	80	80	-18	---	---	---	-40
S553-1084-11	-1.0	80	80	-18	---	---	---	-40
S553-5999-52	-1.0	28	110	-18	---	---	---	-40
Transformers and Common Mode Chokes								
A553-5999-47	-1.0	50	200	---	-18	-40	-30	-40
S553-5999-86	-1.0	28	110	-18	---	-40	-30	-40
S553-5999-87	-1.0	50	200	---	-18	-40	-30	-40
S556-2793-00	-1.0	---	---	---	-15	-40	-30	-30

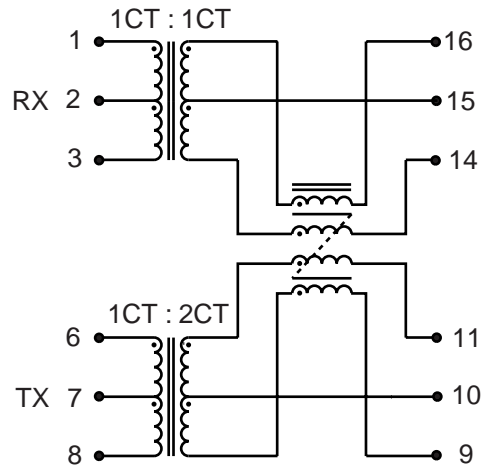
LM00505

SCHEMATICS

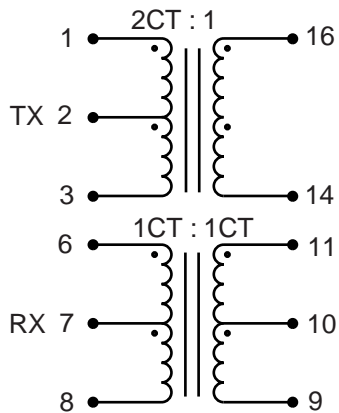
A553-5999-47
S553-5999-87



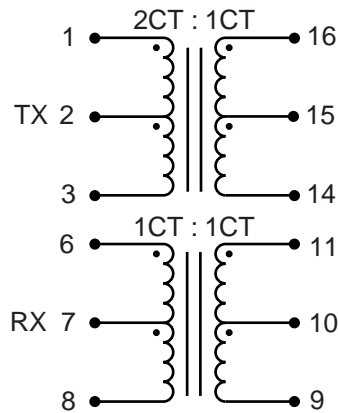
S553-5999-86



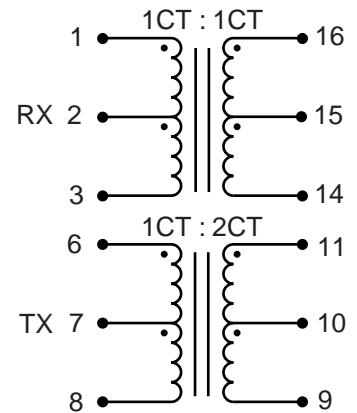
S553-1084-01



S553-1084-11



S553-5999-52



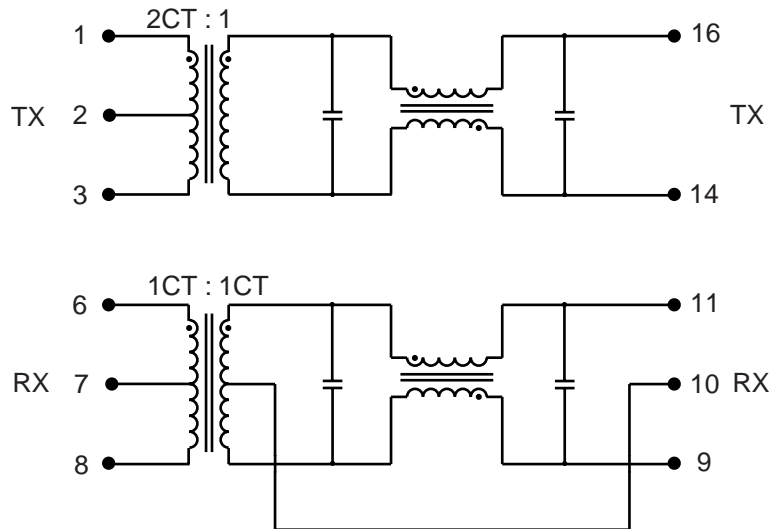
10BASE-T LAN MAGNETICS

Single Port Transformer Modules

LM00505

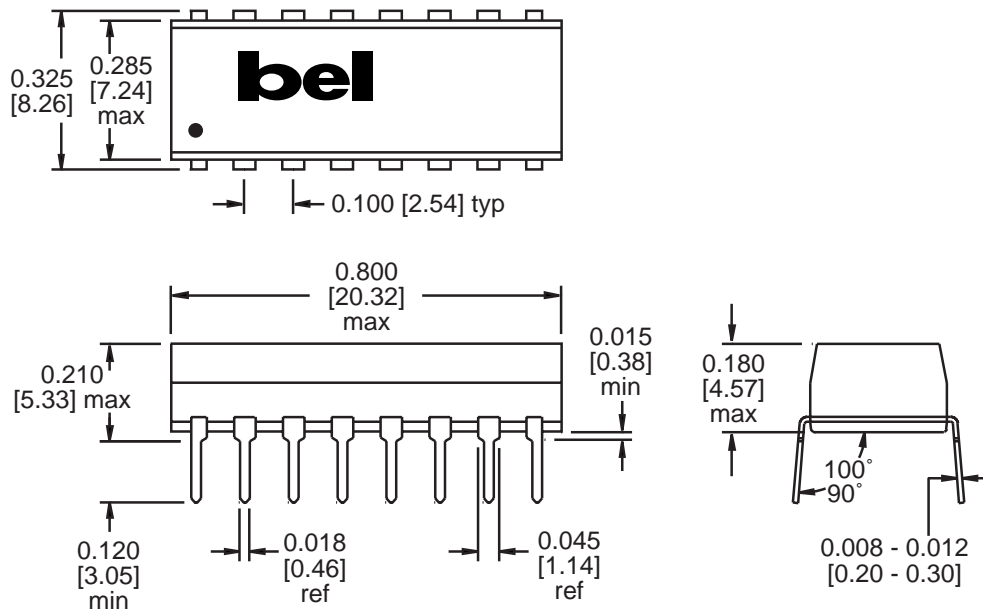
SCHEMATICS

S556-2793-00



MECHANICALS

A553-5999-47

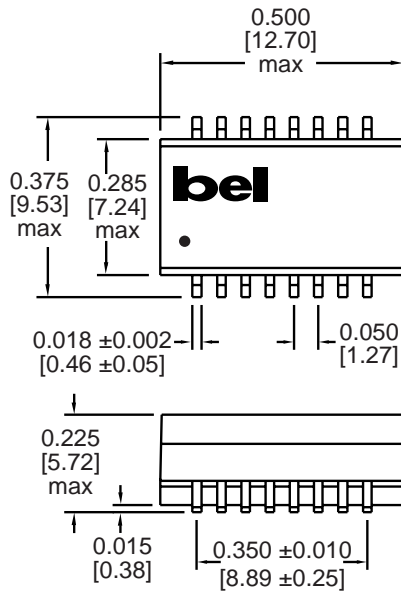


Dimensions are in inches [millimeters].
Standard dimension tolerance is ± 0.005 [0.13] unless otherwise noted.

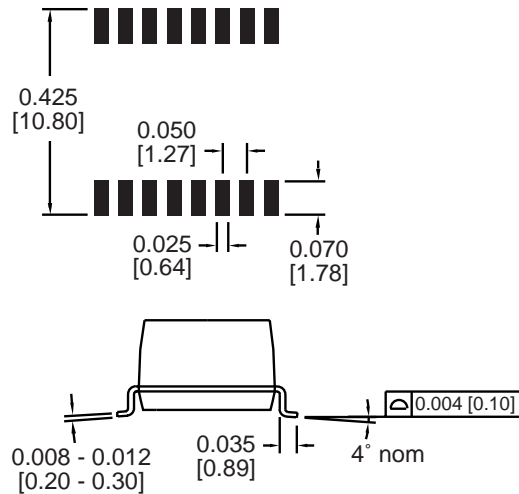
LM00505

MECHANICALS

S553-1084-01
S553-1084-11
S553-5999-52
S553-5999-86
S553-5999-87

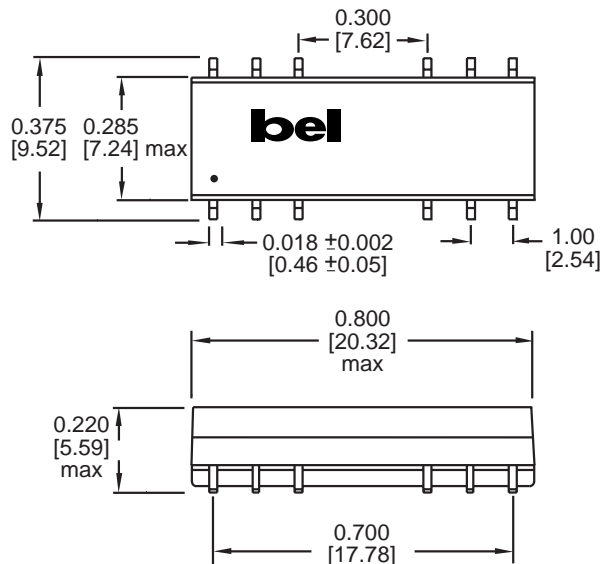


Suggested PCB Pad Layout

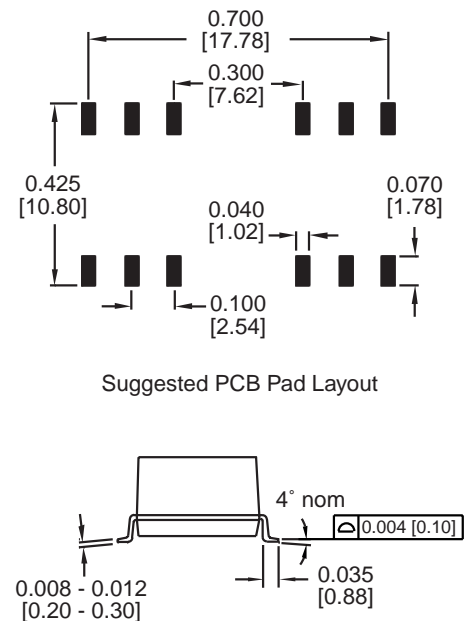


Dimensions are in inches [millimeters].
Standard dimension tolerance is ± 0.005 [0.13] unless otherwise noted.

S556-2793-00



Suggested PCB Pad Layout



Dimensions are in inches [millimeters].
Standard dimension tolerance is ± 0.005 [0.13] unless otherwise noted.

©2001 Bel Fuse Inc. Specifications subject to change without notice. 09.01

CORPORATE

Bel Fuse Inc.
206 Van Vorst Street
Jersey City, NJ 07302
Tel 201-432-0463
Fax 201-432-9542
www.belfuse.com

FAR EAST

Bel Fuse Ltd.
8F / 8 Luk Hop Street
San Po Kong
Kowloon, Hong Kong
Tel 852-2328-5515
Fax 852-2352-3706
www.belfuse.com

EUROPE

Bel Fuse Europe Ltd.
Preston Technology Management Centre
Marsh Lane, Suite G7, Preston
Lancashire, PR1 8UD, U.K.
Tel 44-1772-556601
Fax 44-1772-888366
www.belfuse.com

L5-22