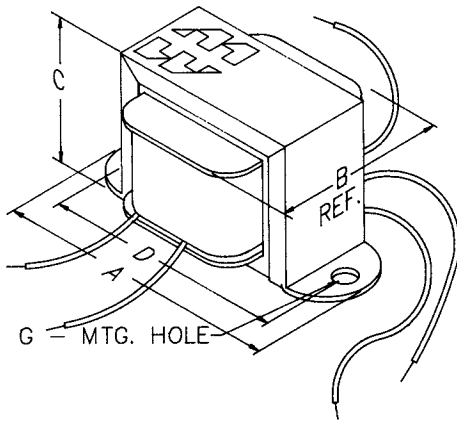


# Tube Driver - Interstage (124 Series)



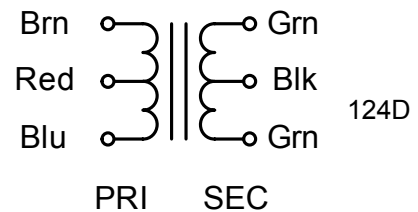
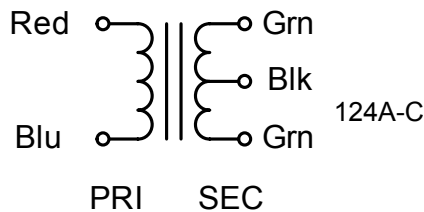
## TUBE DRIVER - INTERSTAGE TRANSFORMERS

- Designed for general purpose or replacement use in single ended or phase inverter tube driver circuits.
- Open style with minimum 5" long primary leads
- Minimum frequency response 150 Hz. - 15 KHz (+/- 1 db max. ref. 1 KHz.) at full rated power.
- Part number 124B is the same as the 124A except for 49% Nickel laminations for greater fidelity.
- Part number 124C is the COIL ONLY (for those experimenters who want to use their own "iron").

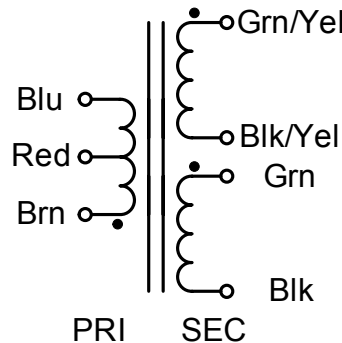
Part No.	Audio Watts	Primary		Secondary		Laminations	Dimensions (Inches)				
		Impedance (Ohms)	D.C. Resistance (Ohms)	Impedance (Ohms)	D.C. Resistance (Ohms)		A	B	C	D	G Mtg. Hole
124A	5	10K	403	90K C.T.	1,524	Grain Oriented Steel	2.38	1.35	1.43	2.00	0.187
124B	5	10K	403	90K C.T.	1,500	49% Nickel	2.38	1.35	1.43	2.00	0.187
124C	5	10K	403	90K C.T.	1,524	None (coil only)	-	-	-	-	-
124D	5	7K C.T.	454	15.8K C.T.	681	Grain Oriented Steel	2.81	1.46	1.68	2.38	0.187
124E	5	15K C.T.	728	33.8K/135K C.T.	3,880	Grain Oriented Steel	2.88	1.74	2.37	2.38	0.187

Tube Audio

### Schematic & Hook Up Data (124A-D)



### Schematic & Hook Up Data (124E Only)



- For **Parallel** connected operation (33.8K Ohm Secondary):  
Connect the GRN/YEL wire to the GRN wire and the BLK/YEL wire to the BLK wire.
- For **Series** connected operation (135K Ohm Secondary):  
Connect the BLK/YEL wire to the GRN (this becomes the center tap) GRN/YEL and BLK wires are the output.

#### EUROPE

Basingstoke, UK 01256 812812

#### AUSTRALIA

Queenstown, Australia 61-8-8240-2244

[www.hammondmfg.com](http://www.hammondmfg.com)



#### CANADA

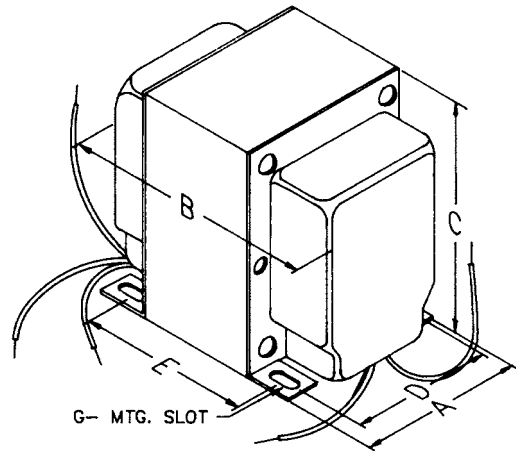
Guelph, Ontario (519) 822-2960  
St. Laurent, Quebec (514) 343-9010

#### USA

Cheektowaga, NY (716) 630-7030



# Tube Driver - Interstage (126 Series)



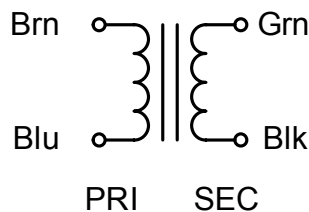
## TUBE DRIVER - INTERSTAGE TRANSFORMERS

- Designed for driver use ONLY in single ended tube output amplifiers. These units replace coupling capacitor circuits for improved sound.
- Closed style with minimum 8" long leads.
- All models use bifilar wound windings for exceptional coupling and bandwidth.
- Minimum frequency response 20 Hz. - 20 Khz (+/- 1db max. ref. 1 Khz.).
- The core is gapped to support the specified D.C. bias current.
- Core uses Hi grade silicon laminations (29M6).
- Units weight - 3 lbs. 2 oz.

Tube Audio

Part No.	Audio Watts	Primary		Secondary		Inductance	Rated D.C. Bias Current	Dimensions (Inches)					
		Impedance (Ohms)	D.C. Resistance (Ohms)	Impedance (Ohms)	D.C. Resistance (Ohms)			A	B	C	D	E	G Mtg. Slot
<b>126A</b>	4	5K	178	5K	178	59 Henrys	15 ma.	2.50	3.12	3.12	2.00	2.25	.203 x .38
<b>126B</b>	4	5K	178	5K	178	44 Henrys	30 ma.	2.50	3.12	3.12	2.00	2.25	.203 x .38
<b>126C</b>	4	10K	375	10K	375	106 Henrys	15 ma.	2.50	3.12	3.12	2.00	2.25	.203 x .38

## Schematic & Hook Up Data



**CANADA**  
 Guelph, Ontario (519) 822-2960  
 St. Laurent, Quebec (514) 343-9010  
**USA**  
 Cheektowaga, NY (716) 630-7030

[www.hammondmfg.com](http://www.hammondmfg.com)



**EUROPE**  
 Basingstoke, UK 01256 812812

**AUSTRALIA**  
 Queenstown, Australia 61-8-8240-2244