

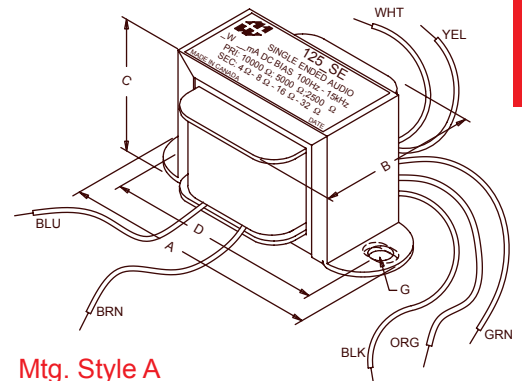
Single Ended Output - General Purpose (125 "SE" Series)



UNIVERSAL - SINGLE ENDED "CLASSIC" TUBE OUTPUT TRANSFORMERS

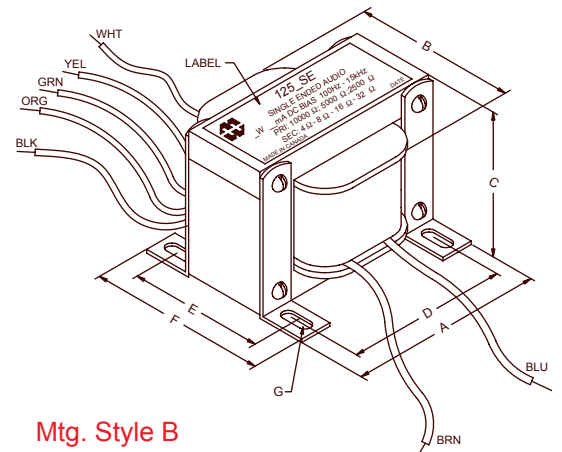
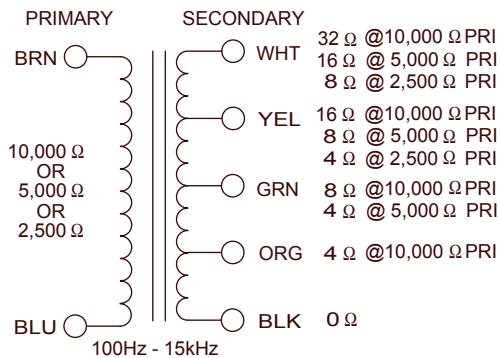
- Designed for general purpose or replacement use (not Hi-Fi) in single ended tube output circuits.
- Frequency response: 100 Hz. - 15 KHz (+/- 1db max. ref. 1 KHz).
- Open style with minimum 12" long primary and secondary leads.
- All sizes use butt stacked cores (using 29M6 steel) with an air gap, to reduce D.C. core saturation.
- Primary impedance range from 2,500 to 10,000 Ohms.
- Secondary impedance range from 4 to 32 Ohms.
- For full frequency response (20 Hz. to 20 KHz.) single ended output transformers - see our 1627-1642 Series.

Part No.	Audio Watts	Max D.C. Bias (ma)	Mtg. Style	Dimensions (Inches)						Wt. Lbs.
				A	B	C	D	E	G Mtg. Hole	
125ASE	3	25	A	2.81	1.35	1.69	2.38	-	0.187	0.5
125BSE	5	45	A	3.25	1.63	2.00	2.81	-	0.187	1.1
125CSE	8	60	A	3.69	1.86	2.31	3.13	-	0.187	1.3
125DSE	10	70	A	4.00	2.10	2.63	3.56	-	0.187	2
125ESE	15	80	A	4.50	2.36	2.94	4.00	-	0.187	3
125FSE	20	90	B	3.76	2.52	3.15	3.13	2.25	0.2 x 0.38	4.5
125GSE	25	100	B	4.15	2.88	3.46	3.45	2.50	0.2 x 0.38	6



Mtg. Style A

Schematic & Hook Up Data



Mtg. Style B

EUROPE
Basingstoke, UK 01256 812812

AUSTRALIA
Queenstown, Australia 61-8-8240-2244

www.hammondmfg.com



CANADA
Guelph, Ontario (519) 822-2960
St. Laurent, Quebec (514) 343-9010
USA
Cheektowaga, NY (716) 630-7030



Tube Audio