

"Classic" Plate (700 Series)

Power



"CLASSIC" ENCLOSED PLATE TRANSFORMERS

- Primary 115 VAC, 50/60 Hz.
- At 2,000 VAC and above, secondary leads are through rubber bushings (figure B).
- Units can be run full wave bridge or full wave C.T.
- Enclosed, 4 hole chassis mount.
- Minimum 6" long leads.
- Class A insulation (105 degrees C).
- Hi-Pot test at a minimum of twice secondary voltage
- Conservative designs - CSA certified (# LR3902).

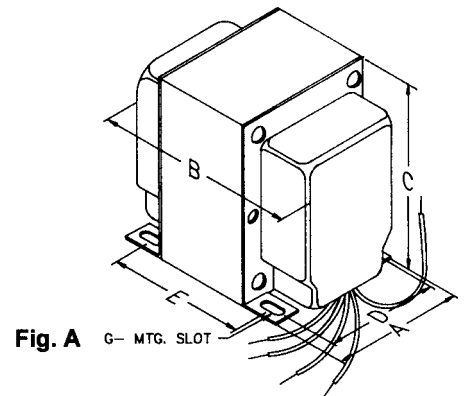


Fig. A

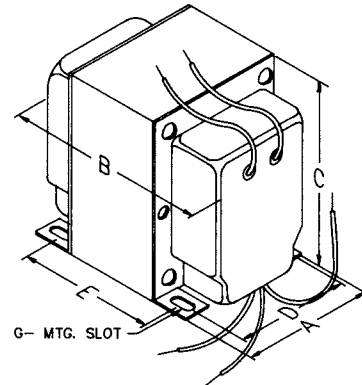
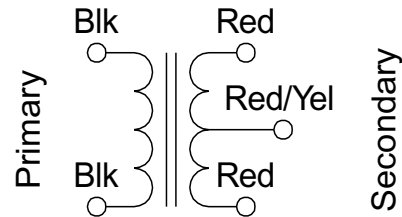


Fig. B

Transformer Schematic



Part No.	VA	A.C. High Voltage Secondary (CCS) R.M.S.	Dwg. Type	Dimensions (Inches)					Wt. Lb.
				A	B	C	D	E	
710	110	750V C.T. @ 147ma.	A	3.75	4.13	4.50	3.00	2.25	7.2
712	130	850V C.T. @ 215ma.	A	3.75	4.63	4.50	3.00	2.75	8.8
714	180	1,020V C.T. @ 170ma.	A	3.13	3.75	3.75	2.50	2.38	5.5
715	200	1,020V C.T. @ 300ma.	A	3.75	4.63	4.50	3.00	2.75	9.0
717	510	1,020V C.T. @ 500ma.	A	5.00	5.25	6.50	4.56	3.25	17.7
718	235	1,250V C.T. @ 200ma.	A	3.75	4.38	4.50	3.00	2.50	8.0
720	370	1,250V C.T. @ 300ma.	A	3.75	5.38	4.50	3.00	3.50	12.0
722	625	1,250V C.T. @ 500ma.	A	5.00	5.25	6.50	4.56	3.25	17.7
724	345	1,500V C.T. @ 226ma.	A	3.75	5.25	4.50	3.00	3.38	12.0
726	312	1,790V C.T. @ 175ma.	A	3.75	5.25	4.50	3.00	3.38	12.0
728	210	2,000V C.T. @ 175ma.	B	3.75	5.25	4.50	3.00	3.38	12.0
732	500	2,500V C.T. @ 200ma.	B	5.00	5.25	6.50	4.56	3.25	17.7
733	750	2,500V C.T. @ 300ma.	B	5.00	6.00	6.50	4.56	4.00	24.0
735	735	3,000V C.T. @ 250ma.	B	5.00	6.00	6.50	4.56	4.00	24.0
737	1,200	3,000V C.T. @ 400ma.	B	5.00	7.00	6.50	4.56	5.00	28.5
739	1,400	3,500V C.T. @ 400ma.	B	5.00	7.63	6.50	4.56	5.50	34.7

Notes : CCS = Continuous Commercial Service
 ICAS = Intermittent Commercial or Amateur Service - increase current by multiplying by a factor of 1.50



CANADA
 Guelph, Ontario (519) 822-2960
 St. Laurent, Quebec (514) 343-9010
USA
 Cheektowaga, NY (716) 630-7030

www.hammondmfg.com



EUROPE
 Basingstoke, UK 01256 812812

AUSTRALIA
 Queenstown, Australia 61-8-8240-2244