

REV. Status

REVISION -  
03/24/92 HA

REVISION A  
REV DIMS  
16.7(0.66)MAX  
-WAS-  
16.8(0.66)MAX  
41.9(1.65)MAX  
-WAS-  
42.0(1.65)MAX  
19.05±0.5  
(0.75±0.02)  
-WAS-  
6.35±0.5  
(0.25±0.02)  
TEMECULA  
WAS CARSON  
04/26/96 TS

REVISION B  
REV'D POLARITY  
ON SCHEMATIC  
12/19/96 TS

FCC68 LOW PROFILE HIGH PERFORMANCE 1.44 HOLDING COIL TRANSFORMER

A. Electrical Specifications (@ 25 ° C)

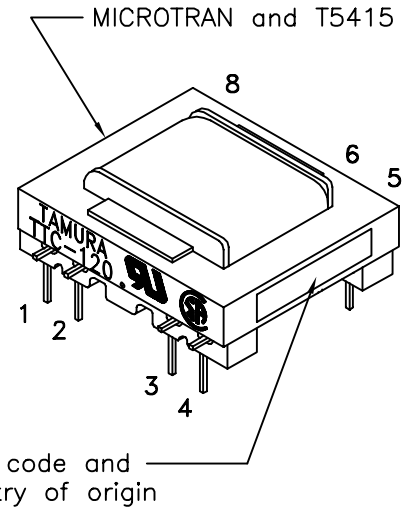
- DC Resistance; 180Ω ±15%
- Inductance; 1.4 Hy ±20% @ 1 KHz, 1 Vrms and 120mADC
- Dielectric Strength; 1.5 KVrms, 1 minute @ winding to core  
150 Vrms, 1 minute @ winding to winding



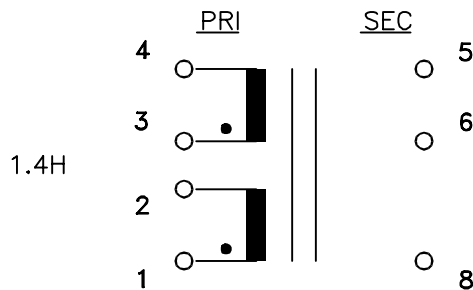
MODEL NUMBER  
TTC-120

B. Marking; TTC-120, TAMURA, T5415, MICROTRAN, date code, country of origin and safety logos

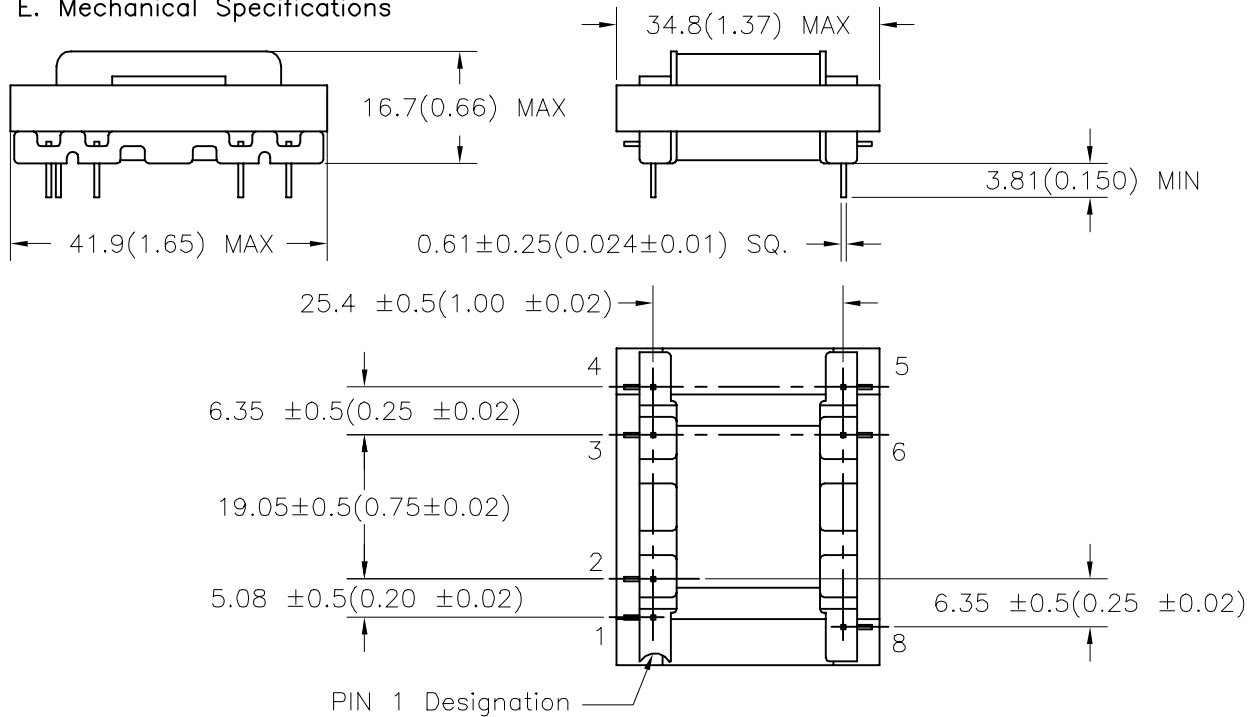
C. Safety; CSA C22.2 No. 66-M1988 File No. LR81383  
UL 1863 File No. E142035



D. Schematic Diagram



E. Mechanical Specifications



PREPARED BY:

K. Brennan

ENGINEER:

T. Shiozawa

QUALITY CONTROL:

D. Kelley

APPROVED:

D. Kelley

DWG CONTROL NO.  
P-A1-10612  
ACAD\TTC\A1106121.DWG

REV  
B

HOLDING COIL  
TRANSFORMER

**TAMURA CORPORATION OF AMERICA**  
43352 BUSINESS PARK DRIVE, TEMECULA, CA. 92590-6624  
(909) 699-1270 FAX 9096769482

TTC-120

MODEL SPECIFICATION

DIM: mm(In) SCL: 1/1 SH: 1 OF 1

PROPRIETARY NOTICE: THIS DRAWING PRINT OR DOCUMENT AND SUBJECT MATTER DISCLOSED HEREIN ARE PROPRIETARY ITEMS TO WHICH TAMURA RETAINS THE EXCLUSIVE RIGHT OF DISSEMINATION, REPRODUCTION, MANUFACTURE AND SALE. THIS DRAWING, PRINT OR DOCUMENT IS SUBMITTED IN CONFIDENCE FOR CONSIDERATION BY THE RECIPIENT ALONE UNLESS PERMISSION FOR FURTHER DISCLOSURE IS EXPRESSLY GRANTED IN WRITING.