

# Multi-Purpose International Transformers



## High Performance with Greater Volumetric Efficiency



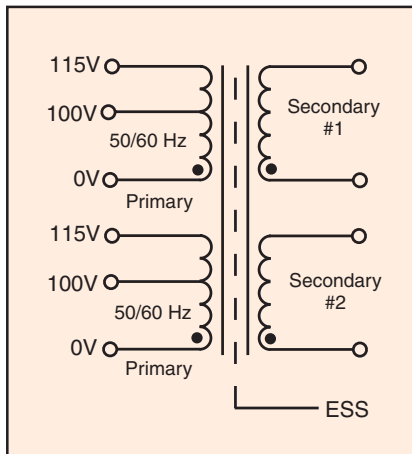
Signal's MPI transformers feature higher volumetric efficiency for improved performance compared with conventional 50/60Hz transformers. They also incorporate international safety features making them ideal for worldwide applications.

### General Specifications

- Power - 200 VA to 900 VA
- Dielectric Strength - 4000 Vrms Hipot
- Primaries - Dual / tapped primaries 100 V, 115 V, 200 V, 215 V, 230 V - 50/60Hz
- Dual Secondaries - Series or parallel
- Electrostatic Shield - Solid copper full width foil
- Touch-Safe terminals (IP20 type) offer a screw/binding clamp for hard wiring and a 3/16" & 1/4" Fast-On connection.
- Leakage Current @ <100 micro Amps
- Insulation System - Class F, 155° C

### Agency Certifications

- UL 1446, File # E66312
- UL recognized to UL 506 / UL 5085-2, File # E63829
- CSA certified to C22.2 No. 66.1, File # 221070
- Designed to meet VDE 0805 and VDE 0550
- TUV Rheinland certified to IEC EN61558-2-4 and EN61558-2-6, License # R72042497



Part Number	Secondary		Part Number	Secondary	
	Series	Parallel		Series	Parallel
MPI-200-10	10 VCT @ 20.0 A	5 V @ 40.0 A	MPI-200-28	28 VCT @ 7.1 A	14 V @ 14.2 A
MPI-250-10	10 VCT @ 25.0 A	5 V @ 50.0 A	MPI-250-28	28 VCT @ 8.9 A	14 V @ 17.9 A
MPI-300-10	10 VCT @ 30.0 A	5 V @ 60.0 A	MPI-300-28	28 VCT @ 10.7 A	14 V @ 21.4 A
MPI-400-10	10 VCT @ 40.0 A	5 V @ 80.0 A	MPI-400-28	28 VCT @ 14.3 A	14 V @ 28.6 A
MPI-650-10	10 VCT @ 65.0 A	5 V @ 130.0 A	MPI-650-28	28 VCT @ 23.2 A	14 V @ 46.4 A
MPI-900-10	10 VCT @ 90.0 A	5 V @ 180.0 A	MPI-900-28	28 VCT @ 32.1 A	14 V @ 64.2 A
MPI-200-12	12 VCT @ 16.7 A	6 V @ 33.3 A	MPI-200-36	36 VCT @ 5.6 A	18 V @ 11.2 A
MPI-250-12	12 VCT @ 20.8 A	6 V @ 41.7 A	MPI-250-36	36 VCT @ 6.9 A	18 V @ 13.8 A
MPI-300-12	12 VCT @ 25.0 A	6 V @ 50.0 A	MPI-300-36	36 VCT @ 8.3 A	18 V @ 16.7 A
MPI-400-12	12 VCT @ 33.3 A	6 V @ 66.6 A	MPI-400-36	36 VCT @ 11.1 A	18 V @ 22.2 A
MPI-650-12	12 VCT @ 54.2 A	6 V @ 108.4 A	MPI-650-36	36 VCT @ 18.1 A	18 V @ 36.2 A
MPI-900-12	12 VCT @ 75.0 A	6 V @ 150.0 A	MPI-900-36	36 VCT @ 25.0 A	18 V @ 50.0 A
MPI-200-16	16 VCT @ 12.5 A	8 V @ 25.0 A	MPI-200-40	40 VCT @ 5.0 A	20 V @ 10.0 A
MPI-250-16	16 VCT @ 15.6 A	8 V @ 31.2 A	MPI-250-40	40 VCT @ 6.3 A	20 V @ 12.6 A
MPI-300-16	16 VCT @ 18.8 A	8 V @ 37.6 A	MPI-300-40	40 VCT @ 7.5 A	20 V @ 15.0 A
MPI-400-16	16 VCT @ 25.0 A	8 V @ 50.0 A	MPI-400-40	40 VCT @ 10.0 A	20 V @ 20.0 A
MPI-650-16	16 VCT @ 40.6 A	8 V @ 81.2 A	MPI-650-40	40 VCT @ 16.3 A	20 V @ 32.6 A
MPI-900-16	16 VCT @ 56.3 A	8 V @ 112.5 A	MPI-900-40	40 VCT @ 22.5 A	20 V @ 45.0 A
MPI-200-20	20 VCT @ 10.0 A	10 V @ 20.0 A	MPI-200-48	48 VCT @ 4.2 A	24 V @ 8.3 A
MPI-250-20	20 VCT @ 12.5 A	10 V @ 25.0 A	MPI-250-48	48 VCT @ 5.2 A	24 V @ 10.4 A
MPI-300-20	20 VCT @ 15.0 A	10 V @ 30.0 A	MPI-300-48	48 VCT @ 6.3 A	24 V @ 12.6 A
MPI-400-20	20 VCT @ 20.0 A	10 V @ 40.0 A	MPI-400-48	48 VCT @ 8.3 A	24 V @ 16.7 A
MPI-650-20	20 VCT @ 32.5 A	10 V @ 65.0 A	MPI-650-48	48 VCT @ 13.5 A	24 V @ 27.1 A
MPI-900-20	20 VCT @ 45.0 A	10 V @ 90.0 A	MPI-900-48	48 VCT @ 18.8 A	24 V @ 37.5 A
MPI-200-24	24 VCT @ 8.3 A	12 V @ 16.7 A	MPI-200-230	230 VCT @ 0.87 A	115 V @ 1.7 A
MPI-250-24	24 VCT @ 10.4 A	12 V @ 20.8 A	MPI-250-230	230 VCT @ 1.1 A	115 V @ 2.2 A
MPI-300-24	24 VCT @ 12.5 A	12 V @ 25.0 A	MPI-300-230	230 VCT @ 1.3 A	115 V @ 2.6 A
MPI-400-24	24 VCT @ 16.7 A	12 V @ 33.3 A	MPI-400-230	230 VCT @ 1.7 A	115 V @ 3.4 A
MPI-650-24	24 VCT @ 27.1 A	12 V @ 54.2 A	MPI-650-230	230 VCT @ 2.8 A	115 V @ 5.6 A
MPI-900-24	24 VCT @ 37.5 A	12 V @ 75.0 A	MPI-900-230	230 VCT @ 3.9 A	115 V @ 7.8 A

Custom versions available upon request.

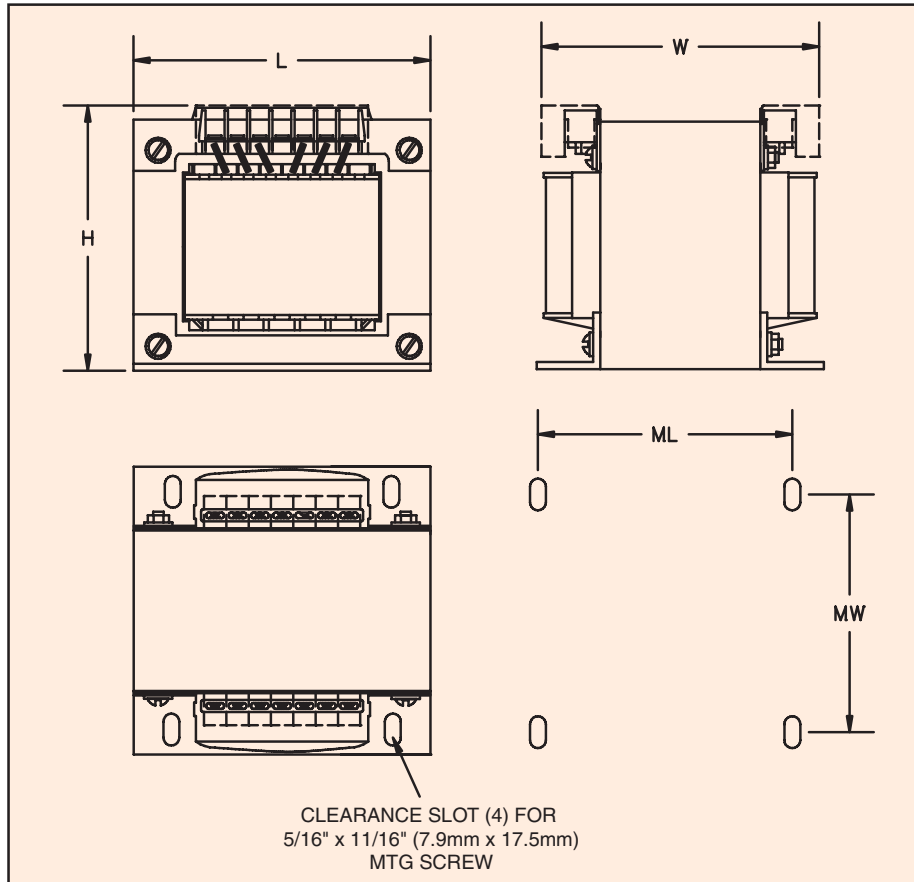
©2008 Signal Transformer — Specification subject to change without notice. 07.08



500 Bayview Avenue, Inwood, NY 11096  
 Toll Free 866-239-5777 • Tel 516-239-5777 • Fax 516-239-7208  
 sales@signaltransformer.com • techhelp@signaltransformer.com

# Multi-Purpose International Transformers

High Performance with Greater Volumetric Efficiency



VA	Mechanical Dimensions					Weight
	L	W	H	ML	MW	
Size	Inches (mm)					lbs (kg)
200	3.75 (95.3)	4.46 (113.3)	3.66 (93.1)	3.25 (82.6)	2.80 (71.1)	6.22 (2.82)
250	4.12 (104.8)	4.13 (104.9)	3.86 (98.2)	3.62 (92.1)	2.60 (66.1)	6.76 (3.07)
300	4.12 (104.8)	4.45 (113.1)	3.86 (98.2)	3.62 (92.1)	2.91 (74.0)	7.80 (3.54)
400	4.12 (104.8)	5.04 (128.1)	3.86 (98.2)	3.62 (92.1)	3.50 (89.0)	9.82 (4.46)
650	5.25 (133.3)	4.70 (119.4)	4.63 (117.8)	4.50 (114.3)	3.41 (86.7)	14.83 (6.73)
900	5.25 (133.3)	5.50 (139.7)	4.63 (117.8)	4.50 (114.3)	4.20 (106.8)	19.84 (9.01)

Custom versions available upon request.

©2008 Signal Transformer — Specification subject to change without notice. 07.08



500 Bayview Avenue, Inwood, NY 11096  
Toll Free 866-239-5777 • Tel 516-239-5777 • Fax 516-239-7208  
sales@signaltransformer.com • techhelp@signaltransformer.com