

# International Flathead™ Low Profile Transformers • Printed Circuit Mount

For Critical Height and International Safety Requirements



Signal's IF transformers utilize unique insulating techniques including full encapsulation to meet international safety requirements. These transformers are ideal for low power applications where minimum height and reduced magnetic radiation are required.

### General Specifications

- Power - 2 VA to 30 VA
- Dielectric Strength - 4000 Vrms Hipot
- Dual Primaries - 115/230 V, 50/60 Hz
- Dual Secondaries - Series or parallel
- Height - 0.69" to 1.39" (17.5 mm to 35.3 mm) height
- Insulation System - Class B, 130° C

### Agency Certifications

- UL 1446 (E66312)
- UL recognized to UL 506 / UL 5085-2, File # E63829
- CSA certified to C22.2 #66.1, File # 221070
- VDE certified to VDE 0805 / EN 60950, File # 8325



Part Number	VA	Secondary RMS Rating	
	Size	Series	Parallel
IF-2-10	2	10VCT @ 200mA	5V @ 400mA
IF-2-12	2	12VCT @ 170mA	6V @ 340mA
IF-2-16	2	16VCT @ 125mA	8V @ 250mA
IF-2-20	2	20VCT @ 100mA	10V @ 200mA
IF-2-24	2	24VCT @ 85mA	12V @ 170mA
IF-2-30	2	30VCT @ 70mA	15V @ 140mA
IF-2-34	2	34VCT @ 60mA	17V @ 120mA
IF-2-40	2	40VCT @ 50mA	20V @ 100mA
IF-2-56	2	56VCT @ 40mA	28V @ 80mA
IF-2-230	2	230VCT @ 9 mA	115V @ 18mA
IF-4-10	4	10VCT @ 400 mA	5V @ 800mA
IF-4-12	4	12VCT @ 335mA	6V @ 670mA
IF-4-16	4	16VCT @ 250mA	8V @ 500mA
IF-4-20	4	20VCT @ 200mA	10V @ 400mA
IF-4-24	4	24VCT @ 170mA	12V @ 340mA
IF-4-30	4	30VCT @ 135mA	15V @ 270mA
IF-4-34	4	34VCT @ 120mA	17V @ 240mA
IF-4-40	4	40VCT @ 100mA	20V @ 200mA
IF-4-56	4	56VCT @ 70mA	28V @ 140mA
IF-4-230	4	230VCT @ 18mA	115V @ 36mA
IF-6-10	6	10VCT @ 600mA	5V @ 1.20A
IF-6-12	6	12VCT @ 500mA	6V @ 1.00A
IF-6-16	6	16VCT @ 375mA	8V @ 750mA
IF-6-20	6	20VCT @ 300mA	10V @ 600mA
IF-6-24	6	24VCT @ 250mA	12V @ 500mA
IF-6-30	6	30VCT @ 200mA	15V @ 400mA
IF-6-34	6	34VCT @ 180mA	17V @ 360mA
IF-6-40	6	40VCT @ 150mA	20V @ 300mA
IF-6-56	6	56VCT @ 110mA	28V @ 220mA
IF-6-230	6	230VCT @ 25mA	115V @ 50mA
IF-10-10	10	10VCT @ 1.00A	5V @ 2.00A
IF-10-12	10	12VCT @ 835mA	6V @ 1.67A
IF-10-16	10	16VCT @ 625mA	8V @ 1.25A
IF-10-20	10	20VCT @ 500mA	10V @ 1.00A
IF-10-24	10	24VCT @ 420mA	12V @ 840mA
IF-10-30	10	30VCT @ 335mA	15V @ 670mA
IF-10-34	10	34VCT @ 300mA	17V @ 600mA
IF-10-40	10	40VCT @ 250mA	20V @ 500mA
IF-10-56	10	56VCT @ 180mA	28V @ 360mA
IF-10-230	10	230VCT @ 45mA	115V @ 90mA

Part Number	VA	Secondary RMS Rating	
	Size	Series	Parallel
IF-14-10	14	10VCT @ 1.40A	5V @ 2.80A
IF-14-12	14	12VCT @ 1.20A	6V @ 2.40A
IF-14-16	14	16VCT @ 875mA	8V @ 1.75A
IF-14-20	14	20VCT @ 700mA	10V @ 1.40A
IF-14-24	14	24VCT @ 600mA	12V @ 1.20A
IF-14-30	14	30VCT @ 470mA	15V @ 940mA
IF-14-34	14	34VCT @ 415mA	17V @ 830mA
IF-14-40	14	40VCT @ 350mA	20V @ 700mA
IF-14-56	14	56VCT @ 250mA	28V @ 500mA
IF-14-230	14	230VCT @ 60mA	115V @ 120mA
IF-18-10	18	10VCT @ 1.80A	5V @ 3.60A
IF-18-12	18	12VCT @ 1.50A	6V @ 3.00A
IF-18-16	18	16VCT @ 1.15A	8V @ 2.30A
IF-18-20	18	20VCT @ 900mA	10V @ 1.80A
IF-18-24	18	24VCT @ 750mA	12V @ 1.50A
IF-18-30	18	30VCT @ 600mA	15V @ 1.20A
IF-18-34	18	34VCT @ 530mA	17V @ 1.06A
IF-18-40	18	40VCT @ 450mA	20V @ 900mA
IF-18-56	18	56VCT @ 320mA	28V @ 640mA
IF-18-230	18	230VCT @ 80mA	115V @ 160mA
IF-24-10	24	10VCT @ 2.40A	5V @ 4.80A
IF-24-12	24	12VCT @ 2.00A	6V @ 4.00A
IF-24-16	24	16VCT @ 1.50A	8V @ 3.00A
IF-24-20	24	20VCT @ 1.20A	10V @ 2.40A
IF-24-24	24	24VCT @ 1.00A	12V @ 2.00A
IF-24-30	24	30VCT @ 800mA	15V @ 1.60A
IF-24-34	24	34VCT @ 700mA	17V @ 1.40A
IF-24-40	24	40VCT @ 600mA	20V @ 1.20A
IF-24-56	24	56VCT @ 430mA	28V @ 860mA
IF-24-230	24	230VCT @ 105mA	115V @ 210mA
IF-30-10	30	10VCT @ 3.00A	5V @ 6.00A
IF-30-12	30	12VCT @ 2.50A	6V @ 5.00A
IF-30-16	30	16VCT @ 1.90A	8V @ 3.80A
IF-30-20	30	20VCT @ 1.50A	10V @ 3.00A
IF-30-24	30	24VCT @ 1.25A	12V @ 2.50A
IF-30-30	30	30VCT @ 1.00A	15V @ 2.00A
IF-30-34	30	34VCT @ 900mA	17V @ 1.80A
IF-30-40	30	40VCT @ 750mA	20V @ 1.50A
IF-30-56	30	56VCT @ 550mA	28V @ 1.10A
IF-30-230	30	230VCT @ 130mA	115V @ 260mA

Custom versions available upon request.

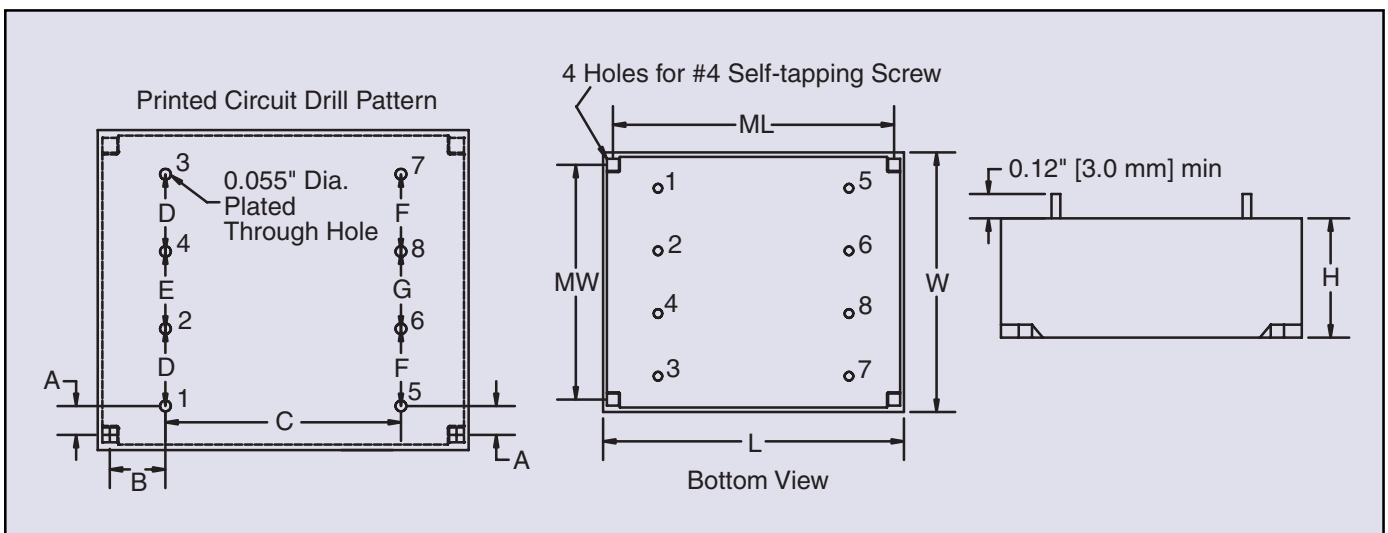
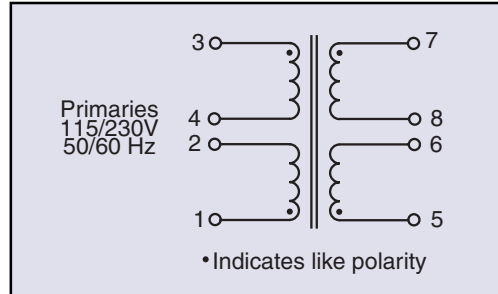
©2008 Signal Transformer — Specification subject to change without notice. 07.08



500 Bayview Avenue, Inwood, NY 11096  
 Toll Free 866-239-5777 • Tel 516-239-5777 • Fax 516-239-7208  
 sales@signaltransformer.com • techhelp@signaltransformer.com

# International Flathead™ Low Profile Transformers • Printed Circuit Mount

For Critical Height and International Safety Requirements



VA	L	W	H	ML	MW	A	B	C	D	E	F	G	Weight
Size	Inches (mm)												oz (kg)
2	2.09 (53.0)	1.73 (44.0)	0.69 (17.6)	1.87 (47.5)	1.48 (37.5)	0.05 (1.3)	0.25 (6.3)	1.38 (35.0)	0.39 (10.0)	0.39 (10.0)	0.59 (15.0)	0.19 (5.0)	4.6 (0.13)
4	2.09 (53.0)	1.73 (44.0)	0.77 (19.6)	1.87 (47.5)	1.48 (37.5)	0.05 (1.3)	0.25 (6.3)	1.38 (35.0)	0.39 (10.0)	0.39 (10.0)	0.59 (15.0)	0.19 (5.0)	5.4 (0.15)
6	2.09 (53.0)	1.73 (44.0)	0.89 (22.6)	1.87 (47.5)	1.48 (37.5)	0.05 (1.3)	0.25 (6.3)	1.38 (35.0)	0.39 (10.0)	0.39 (10.0)	0.59 (15.0)	0.19 (5.0)	6.9 (0.20)
10	2.66 (67.6)	2.24 (57.0)	0.89 (22.6)	2.46 (62.5)	1.97 (50.0)	0.28 (7.1)	0.34 (8.8)	1.77 (45.0)	0.59 (15.0)	0.43 (10.9)	0.39 (10.0)	0.63 (15.9)	10.3 (0.29)
14	2.66 (67.6)	2.24 (57.0)	0.96 (24.3)	2.46 (62.5)	1.97 (50.0)	0.28 (7.1)	0.34 (8.8)	1.77 (45.0)	0.59 (15.0)	0.43 (10.9)	0.39 (10.0)	0.63 (15.9)	11.9 (0.34)
18	2.66 (67.6)	2.24 (57.0)	1.09 (27.6)	2.46 (62.5)	1.97 (50.0)	0.28 (7.1)	0.34 (8.8)	1.77 (45.0)	0.59 (15.0)	0.43 (10.9)	0.39 (10.0)	0.63 (15.9)	14.1 (0.40)
24	2.68 (68.0)	2.26 (57.5)	1.23 (31.3)	2.46 (62.5)	1.97 (50.0)	0.28 (7.2)	0.34 (8.8)	1.77 (45.0)	0.59 (15.0)	0.43 (10.9)	0.39 (10.0)	0.63 (15.9)	16.5 (0.47)
30	2.68 (68.0)	2.26 (57.5)	1.39 (35.3)	2.46 (62.5)	1.97 (50.0)	0.28 (7.2)	0.34 (8.8)	1.77 (45.0)	0.59 (15.0)	0.43 (10.9)	0.39 (10.0)	0.63 (15.9)	19.7 (0.58)

Custom versions available upon request.

©2008 Signal Transformer — Specification subject to change without notice. 07.08



500 Bayview Avenue, Inwood, NY 11096  
 Toll Free 866-239-5777 • Tel 516-239-5777 • Fax 516-239-7208  
 sales@signaltransformer.com • techhelp@signaltransformer.com