

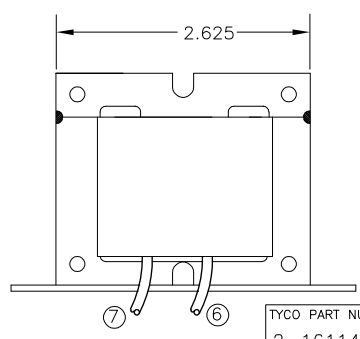
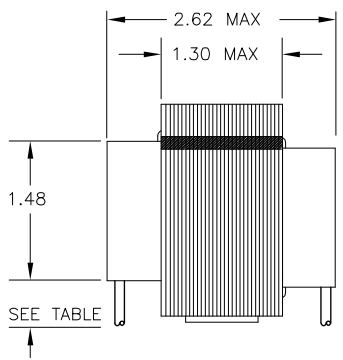
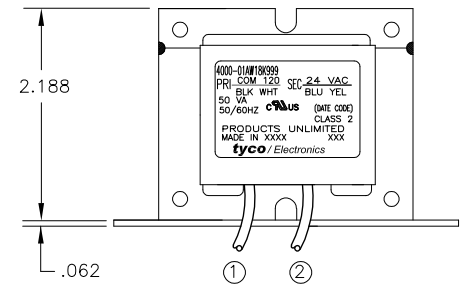
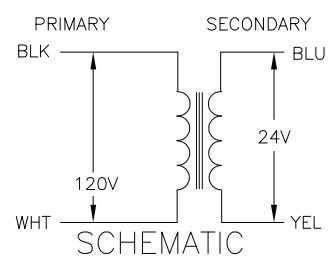
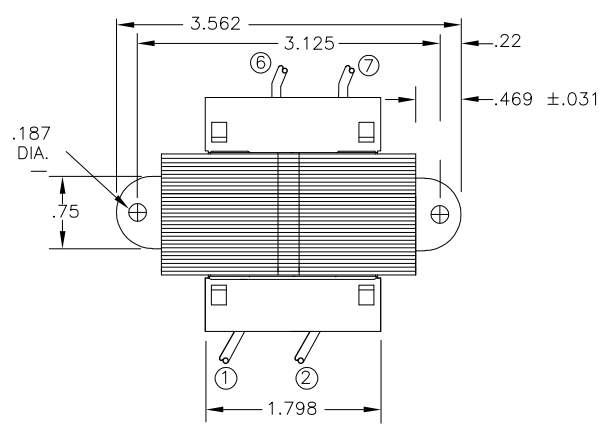
THIS DRAWING IS UNPUBLISHED. RELEASED FOR PUBLICATION  
 © COPYRIGHT BY TYCO ELECTRONICS CORPORATION. ALL RIGHTS RESERVED.

LOC	DIST	REVISIONS					
GZ	00	P	LTR	DESCRIPTION	DATE	DWN	APVD
		B		0611-0162-03	16MAY2003	TCS	KH

ALL LEADS 18AWG--UNLESS OTHERWISE SPECIFIED		
PRIMARY		
LEAD NO.	1	2
VOLTAGE	COM	120
COLOR	BLK	WHT
LENGTH	12.0	12.0
STRIP LENGTH	.50	.50

NOTES  
 1. DIMENSIONS FOR REFERENCE ONLY.  
 2. ALL LEADS +1"/-0" TOL.  
 3. STRIP TOL. ±1/32  
 4. WINDING PROTECTION--INHERENTLY LIMITING

CERTIFICATION: UL & CUL FILE NO. E87824				
SECONDARY				
LEAD NO.	6	7	8	9
VOLTAGE	24	VAC		
COLOR	BLU	YEL		
LENGTH	12.0	12.0		
STRIP LENGTH	.50	.50		



TYCO PART NUMBER  
2-1611461-1

THIS DRAWING IS A CONTROLLED DOCUMENT.		DWN	11/5/96	Tyco Electronics Corporation	
		CHK		Harrisburg, PA 17105-3608	
DIMENSIONS:		APVD		NAME	
INCHES				TRANSFORMER OUTLINE	
TOLERANCES UNLESS OTHERWISE SPECIFIED:		PRODUCT SPEC		P.U. STOCK	
0 PLC ±-		APPLICATION SPEC			
1 PLC ±-		WEIGHT		RESTRICTED TO	
2 PLC ±-		CUSTOMER DRAWING			
3 PLC ±-		SCALE		SHEET	
4 PLC ±-		NTS		1 OF 1	
ANGLES ±-		DRAWING NO		REV	
MATERIAL		A3 00779		B	
FINISH		C=4000-01AW18K999			

AMP 1470-19 REV 31MAR2000

N:\gprRR\Enginrng\Ron-Kirby\AutoCAD\PU\0611-0208-02\