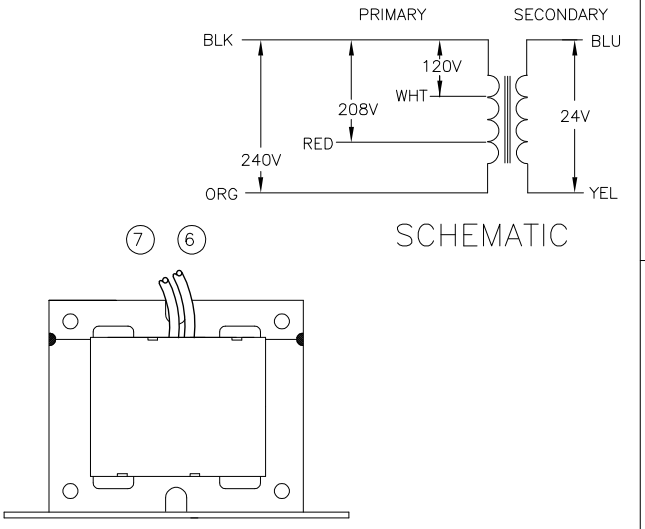
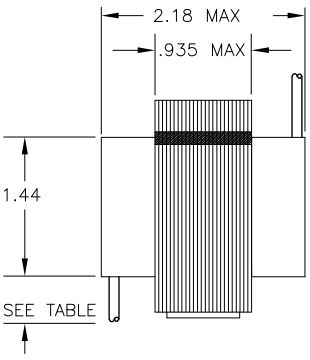
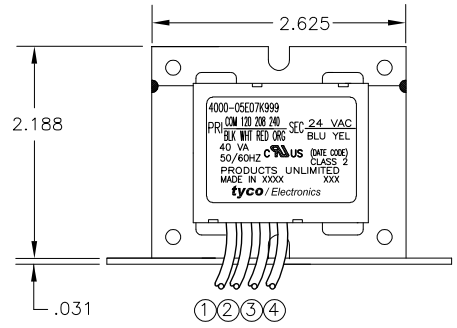
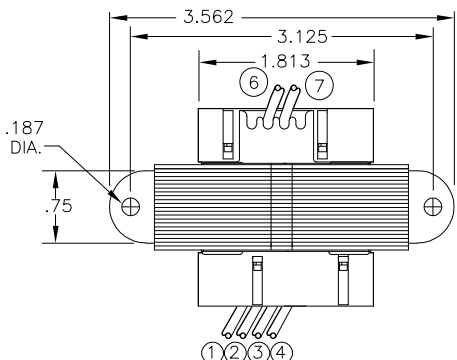


THIS DRAWING IS UNPUBLISHED. RELEASED FOR PUBLICATION
 © COPYRIGHT BY TYCO ELECTRONICS CORPORATION. ALL RIGHTS RESERVED.

LOC	DIST	REVISIONS					
GZ	00	P	LTR	DESCRIPTION	DATE	DWN	APVD
		B		0611-0155-03	16MAY2003	TCS	KH

PRIMARY					NOTES 1. DIMENSIONS FOR REFERENCE ONLY. 2. WINDING PROTECTION—INHERENTLY LIMITING	SECONDARY					
LEAD NO.	1	2	3	4		5	LEAD NO.	6	7	8	9
VOLTAGE	COM	120	208	240			VOLTAGE	24	VAC		
COLOR	BLK	WHT	RED	ORG			COLOR	BLU	YEL		
LENGTH	12.0	12.0	12.0	12.0			LENGTH	12.0	12.0		
STRIP LENGTH	.50	.50	.50	.50			STRIP LENGTH	.50	.50		



TYCO PART NUMBER
8-1611454-0

THIS DRAWING IS A CONTROLLED DOCUMENT.		DWN	11FEB1997	Products Tyco Electronics Corporation	
		CHK		Harrisburg, PA 17105-3608	
DIMENSIONS: INCHES		APVD		NAME	
		PRODUCT SPEC		TRANSFORMER OUTLINE	
TOLERANCES UNLESS OTHERWISE SPECIFIED: 0 PLC ±. 1 PLC ±. 2 PLC ±. 3 PLC ±. 4 PLC ±. ANGLES ±.		APPLICATION SPEC		P.U. STOCK	
MATERIAL	FINISH	WEIGHT	—	SIZE	CAGE CODE DRAWING NO
—	—	CUSTOMER DRAWING	—	A3	00779 C=4000-05E07K999
			SCALE	NTS	SHEET 1 OF 1 REV B