

THIS DRAWING IS UNPUBLISHED. RELEASED FOR PUBLICATION
 © COPYRIGHT BY TYCO ELECTRONICS CORPORATION. ALL RIGHTS RESERVED.

LOC	DIST	REVISIONS			
P	LTR	DESCRIPTION	DATE	DWN	APVD
GZ	00	NEW FROMAT & EC0720-0054-04	02FEB04	MD	WS

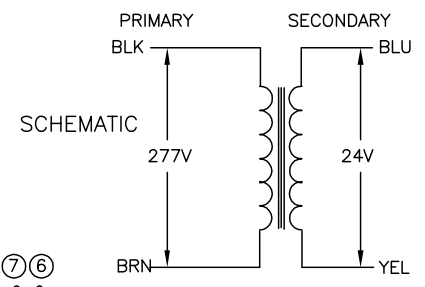
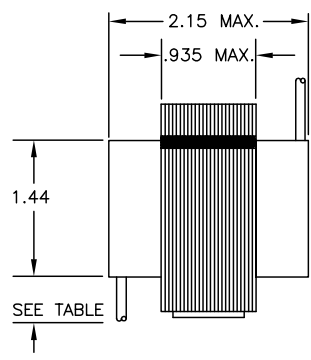
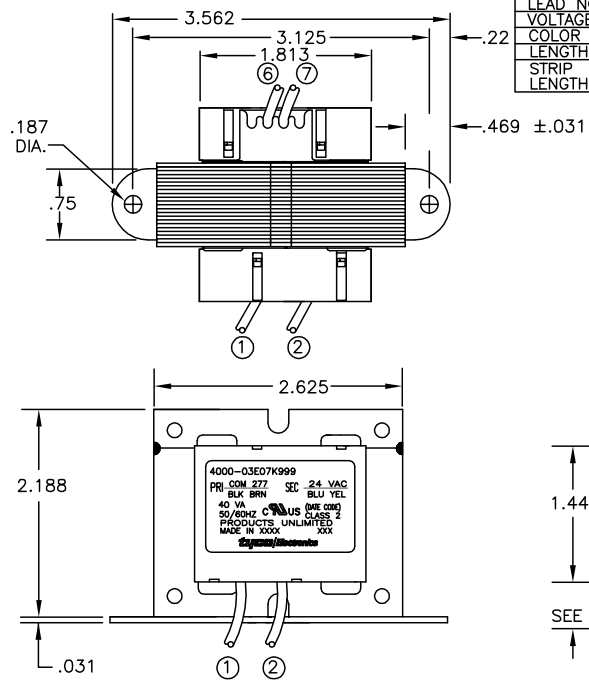
ALL LEADS 18AWG-UNLESS OTHERWISE SPECIFIED

PRIMARY					
LEAD NO.	1	2	3	4	5
VOLTAGE	COM	277			
COLOR	BLK	BRN			
LENGTH	12.0	12.0			
STRIP LENGTH	.50	.50			

- NOTES
 1. DIMENSIONS FOR REFERENCE ONLY.
 2. ALL LEADS +1"/-0" TOL.
 3. STRIP TOL. ±1/32
 4. WINDING PROTECTION-
 INHERENTLY LIMITING

CERTIFICATION:
 UL & CUL FILE NO. E87824

SECONDARY				
LEAD NO.	6	7	8	9
VOLTAGE	24	VAC		
COLOR	BLU	YEL		
LENGTH	12.0	12.0		
STRIP LENGTH	.50	.50		



THIS DRAWING IS A CONTROLLED DOCUMENT.		DWN M.DAVIS 02FEB04	CUST. NO. -		TYCO PART NUMBER 4-1611454-2
DIMENSIONS: INCHES		CHK W.SORAH 02FEB04	Tyco Electronics Corporation Harrisburg, Pa 17105-3608		
TOLERANCES UNLESS OTHERWISE SPECIFIED:		APVD W.SORAH 02FEB04	NAME TRANSFORMER OUTLINE		
0 PLC ± -		PRODUCT SPEC	SIZE A3	CAGE CODE 00779	DRAWING NO C-4000-03E07K999
1 PLC ± -		APPLICATION SPEC	RESTRICTED TO		
2 PLC ± -		WEIGHT	-		
3 PLC ± -		CUSTOMER DRAWING	SCALE NTS	SHEET 1	OF 1
4 PLC ± -					REV A
ANGLES ± -					
FINISH					

AMP 1470-19 REV 31MAR2000

H:\edmod\0720-0054-04\customer\4000-03E07K999.dwg