

THIS DRAWING IS UNPUBLISHED. RELEASED FOR PUBLICATION
 © COPYRIGHT BY TYCO ELECTRONICS CORPORATION. ALL RIGHTS RESERVED.

LOC	DIST	REVISIONS			
P	LTR	DESCRIPTION	DATE	DWN	APVD
GZ	00	NEW FORMAT & EC0720-0136-04	05MAR04	MD	KH

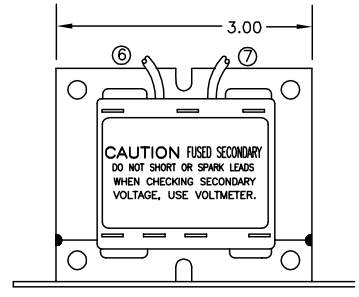
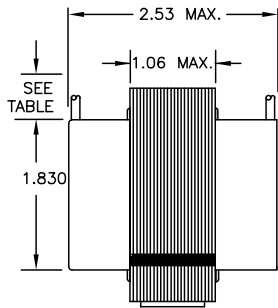
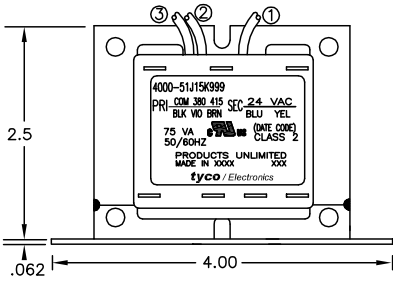
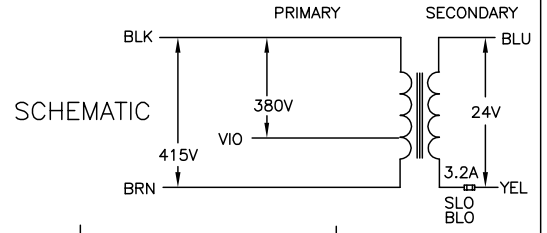
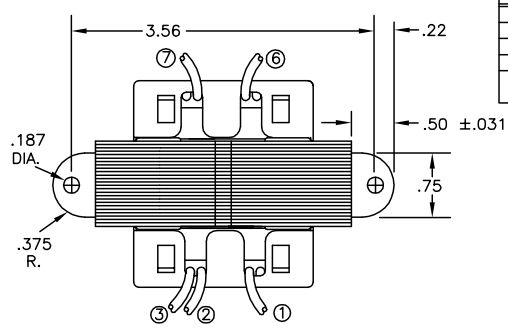
ALL LEADS 18AWG-UNLESS OTHERWISE SPECIFIED

PRIMARY					
LEAD NO.	1	2	3	4	5
VOLTAGE	COM	380	415		
COLOR	BLK	VIO	BRN		
LENGTH	12.0	12.0	12.0		
STRIP LENGTH	.50	.50	.50		

- NOTES
1. DIMENSIONS FOR REFERENCE ONLY.
 2. ALL LEADS +1"/-0" TOL.
 3. STRIP TOL. ±1/32
 4. WINDING PROTECTION- 3.2 AMP SLO-BLO FUSE IN SECONDARY NON-INHERENTLY LIMITED

CERTIFICATION: UL & CUL FILE NO. E87824

SECONDARY				
LEAD NO.	6	7	8	9
VOLTAGE	24	VAC		
COLOR	BLU	YEL		
LENGTH	12.0	12.0		
STRIP LENGTH	.50	.50		



CUST. NO.	TYCO PART NUMBER
-	1-1611469-5

THIS DRAWING IS A CONTROLLED DOCUMENT.		DWN M.DAVIS 05MAR04	Products Tyco Electronics Corporation -WWW.PRODUCTSUNLIMITED- Harrisburg, Pa 17105-3608	
DIMENSIONS: INCHES		CHK K.HOLSCHUH 05MAR04	NAME TRANSFORMER OUTLINE	
TOLERANCES UNLESS OTHERWISE SPECIFIED: 0 PLC ± - 1 PLC ± - 2 PLC ± - 3 PLC ± - 4 PLC ± - ANGLES ± -		APVD K.HOLSCHUH 05MAR04	PRODUCT SPEC -	
MATERIAL		APPLICATION SPEC -	SIZE A3	CAGE CODE 00779
FINISH		WEIGHT -	DRAWING NO C-4000-51J15K999	RESTRICTED TO -
CUSTOMER DRAWING			SCALE NTS	SHEET 1 OF 1 REV A