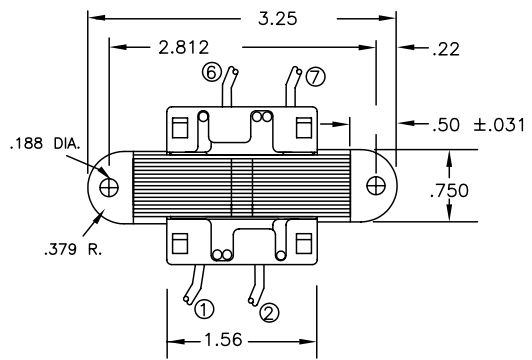


THIS DRAWING IS UNPUBLISHED. RELEASED FOR PUBLICATION
 © COPYRIGHT BY TYCO ELECTRONICS CORPORATION. ALL RIGHTS RESERVED.

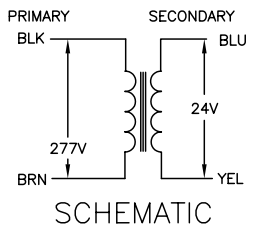
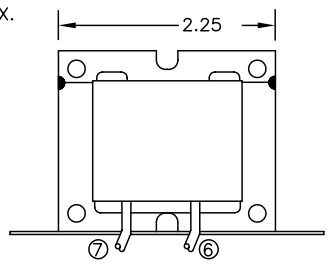
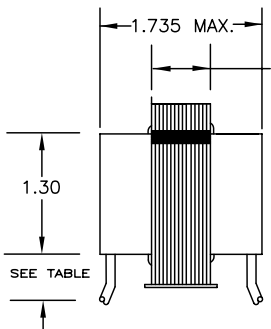
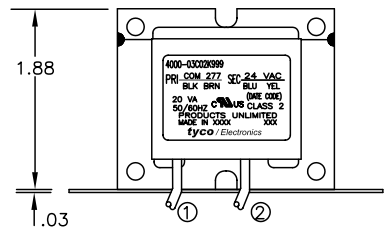
LOC	DIST	REVISIONS					
GZ	00	P	LTR	DESCRIPTION	DATE	DWN	APVD
		O		0611-0461-02	13AUG03	KH	HT



ALL LEADS 18AWG-UNLESS OTHERWISE SPECIFIED					
PRIMARY					
LEAD NO.	1	2	3	4	5
VOLTAGE	COM	277			
COLOR	BLK	BRN			
LENGTH	12.0	12.0			
STRIP LENGTH	.50	.50			

NOTES
 1. DIMENSIONS FOR REFERENCE ONLY.
 2. WINDING PROTECTION-INHERENTLY LIMITING

CERTIFICATION:UL/CUL FILE NO E87824								
SECONDARY								
LEAD NO.	6	7	8	9				
VOLTAGE	24	VAC						
COLOR	BLU	YEL						
LENGTH	12.0	12.0						
STRIP LENGTH	.50	.50						



TYCO PART NUMBER
 6-1672104-1

THIS DRAWING IS A CONTROLLED DOCUMENT.		DWN	K.H.	13AUG03	Tyco Electronics Corporation Harrisburg, PA 17105-3608
DIMENSIONS: INCHES		CHK	DH	13AUG03	
		APVD	HT	13AUG03	
TOLERANCES UNLESS OTHERWISE SPECIFIED:		NAME			TRANSFORMER OUTLINE P.U. STOCK
0 PLC ± -		SIZE	CAGE CODE	DRAWING NO	
1 PLC ± -		RESTRICTED TO			
2 PLC ± -		A3		00779	C=4000-03C02K999
3 PLC ± -		WEIGHT		SCALE 1:1 SHEET 1 OF 1 REV 0	
4 PLC ± -		CUSTOMER DRAWING			
ANGLES ± -					
MATERIAL					
FINISH					