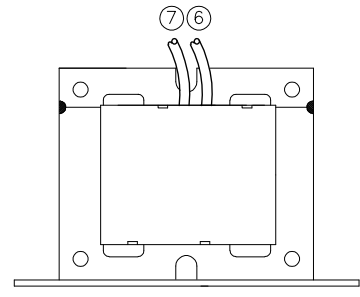
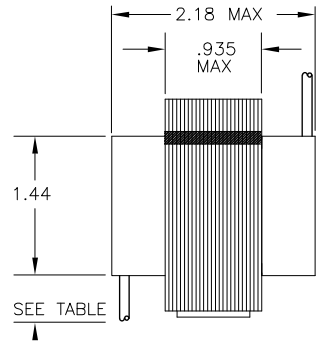
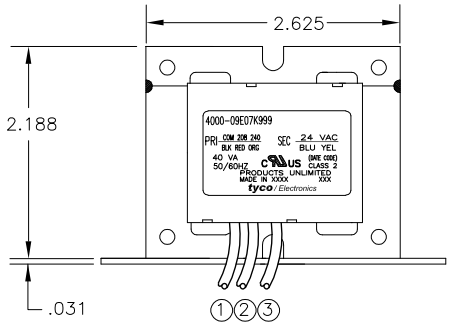
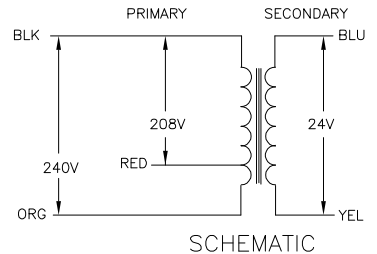
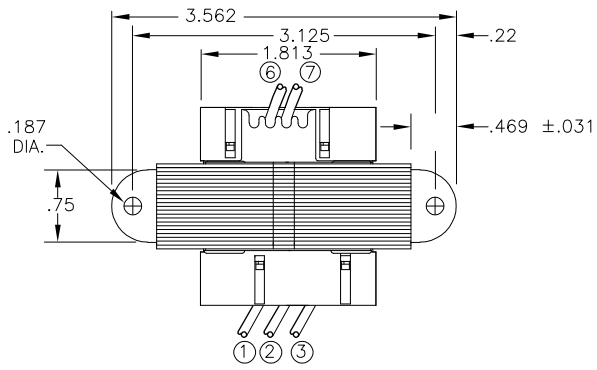


THIS DRAWING IS UNPUBLISHED. RELEASED FOR PUBLICATION
 © COPYRIGHT BY TYCO ELECTRONICS CORPORATION. ALL RIGHTS RESERVED.

LOC	DIST	REVISIONS		
GZ	00	P	LTR	DESCRIPTION
		B		0611-0155-03
			DATE	DWN
			16MAY2003	TCS KH

ALL LEADS 18AWG--UNLESS OTHERWISE SPECIFIED					NOTES 1. DIMENSIONS FOR REFERENCE ONLY. 2. ALL LEADS +1"/-0" TOL. 3. STRIP TOL. ±1/32 4. WINDING PROTECTION-- INHERENTLY LIMITING				CERTIFICATION: UL & CUL FILE NO. E87824				
PRIMARY LEAD COLOR CODE					SECONDARY LEAD COLOR CODE								
LEAD NO.	1	2	3	4	5	LEAD NO.	6	7	8	9			
VOLTAGE	COM	208	240			VOLTAGE	24	VAC					
COLOR	BLK	RED	ORG			COLOR	BLU	YEL					
LENGTH	12.0	12.0	12.0			LENGTH	12.0	12.0					
STRIP LENGTH	.50	.50	.50			STRIP LENGTH	.50	.50					



TYCO PART NUMBER
2-1611455-4

THIS DRAWING IS A CONTROLLED DOCUMENT.		DWN	2/11/97		Products Tyco Electronics Corporation	
		CHK			Harrisburg, PA 17105-3608	
DIMENSIONS:		APVD		NAME		
INCHES				TRANSFORMER OUTLINE		
TOLERANCES UNLESS OTHERWISE SPECIFIED:		PRODUCT SPEC		SIZE		
0 PLC ±-				CAGE CODE		
1 PLC ±-				DRAWING NO		
2 PLC ±-				A3 00779		
3 PLC ±-				C=4000-09E07K999		
4 PLC ±-				RESTRICTED TO		
ANGLES ±-				CUSTOMER DRAWING		
MATERIAL		WEIGHT		SCALE		
				NTS		
				SHEET 1 of 1		
				REV B		

AMP 1470-19 REV 31MAR2000

N:\gprRR\Enginrng\Ron-Kirby\AutoCAD\PU\0611-0208-02\