

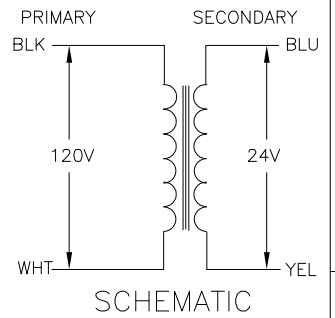
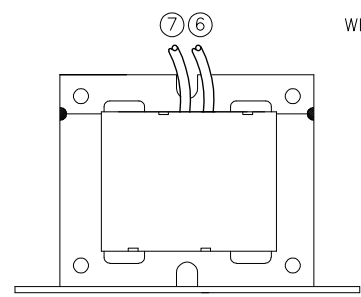
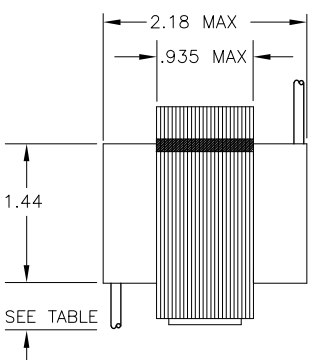
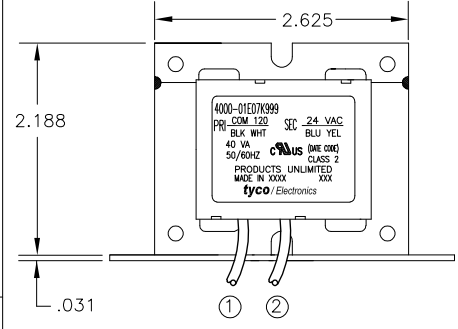
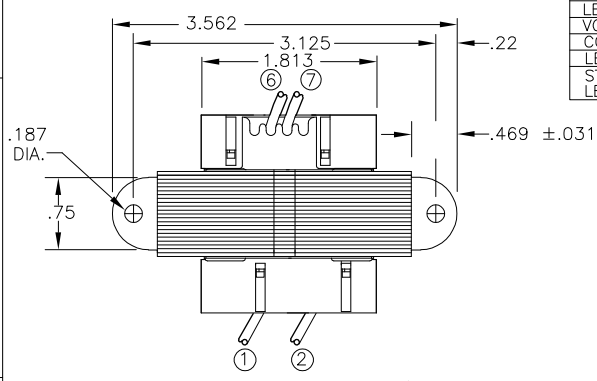
THIS DRAWING IS UNPUBLISHED. RELEASED FOR PUBLICATION  
 © COPYRIGHT BY TYCO ELECTRONICS CORPORATION. ALL RIGHTS RESERVED.

LOC	DIST	REVISIONS		
GZ	00	P	LTR	DESCRIPTION
		B		EC 0611-0155-03
			DATE	DWN
			16MAY2003	TCS
				KH

PRIMARY					SECONDARY				
LEAD NO.	1	2	3	4	5	6	7	8	9
VOLTAGE	COM	120				24	VAC		
COLOR	BLK	WHT				BLU	YEL		
LENGTH	12.0	12.0				12.0	12.0		
STRIP LENGTH	.50	.50				.50	.50		

NOTES  
 1. DIMENSIONS FOR REFERENCE ONLY.  
 2. WINDING PROTECTION - INHERENTLY LIMITING

CERTIFICATION: UL,CUL FILE NO. E87824



TYCO PART NUMBER  
 4-1611453-7

THIS DRAWING IS A CONTROLLED DOCUMENT.		DWN	22FEB1997	Tyco Electronics Corporation	
		K.H.		Harrisburg, PA 17105-3608	
DIMENSIONS:		CIK		Products	
INCHES		APVD		-W- UNLIMITED	
TOLERANCES UNLESS OTHERWISE SPECIFIED:		PRODUCT SPEC		NAME	
0 PLC ±-		APPLICATION SPEC		TRANSFORMER OUTLINE	
1 PLC ±-		WEIGHT		P.U. STOCK	
2 PLC ±-		CUSTOMER DRAWING		-	
3 PLC ±-		SIZE	A3	CAGE CODE	00779
4 PLC ±-		DRAWING NO	4000-01E07K999		
4 PLG ANGLES ±-		RESTRICTED TO	-		
MATERIAL	FINISH	SCALE	NTS	SHEET	1 of 1
-	-	REV	B		