

THIS DRAWING IS UNPUBLISHED. RELEASED FOR PUBLICATION  
 © COPYRIGHT BY TYCO ELECTRONICS CORPORATION. ALL RIGHTS RESERVED.

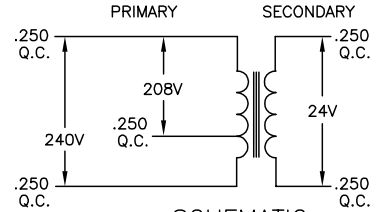
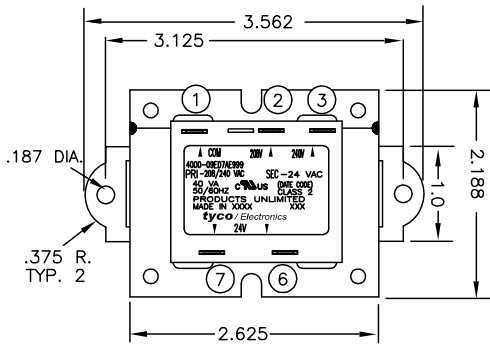
LOC	DIST	REVISIONS					
GZ	00	P	LTR	DESCRIPTION	DATE	DWN	APVD
		B		EC 0611-0255-03	30MAY03	MD	KH

PRIMARY			
TERM NO.	1	2	3
VOLTAGE	COM	208	240
TERMINAL WIDTH	.250	.250	.250
TERMINAL THICKNESS	.032	.032	.032

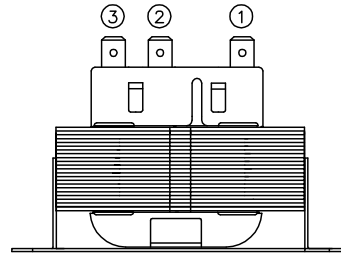
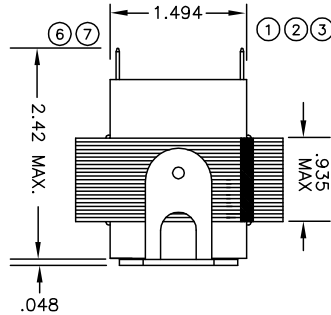
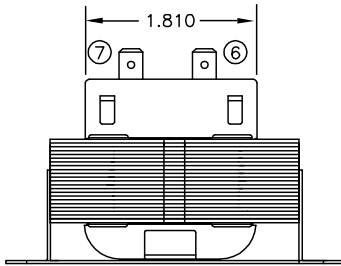
- NOTES  
 1. DIMENSIONS FOR REFERENCE ONLY.  
 2. WINDING PROTECTION—INHERENTLY LIMITING

SECONDARY		
TERM NO.	6	7
VOLTAGE	24	VAC
TERMINAL WIDTH	.250	.250
TERMINAL THICKNESS	.032	.032

CERTIFICATION: UL,CUL FILE NO. E87824



ALL Q.C. .250 X .032



TYCO PART NUMBER  
 9-1611454-6

THIS DRAWING IS A CONTROLLED DOCUMENT.		DWN	12FEB1997	Products Tyco Electronics Corporation Harrisburg, PA 17105-3608
		CHK		
DIMENSIONS:	TOLERANCES UNLESS OTHERWISE SPECIFIED:	APVD		NAME
INCHES:	0 PLC ± -	PRODUCT SPEC		
	1 PLC ± -	APPLICATION SPEC		
	2 PLC ± -	WEIGHT		
	3 PLC ± -	CUSTOMER DRAWING		
	4 PLC ± -	SIZE	A3	CAGE CODE
	ANGLES ± -	DRAWING NO	4000-09E07AE999	RESTRICTED TO
MATERIAL	FINISH	SCALE	NTS	SHEET 1 OF 1
		REV	B	