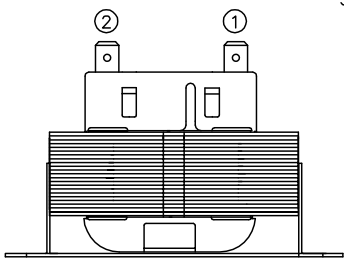
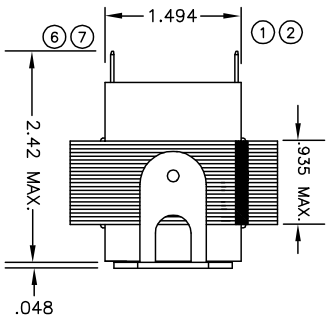
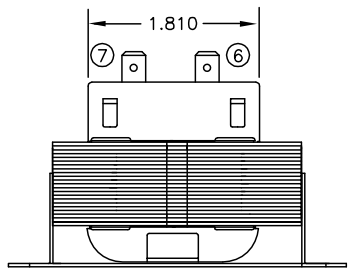
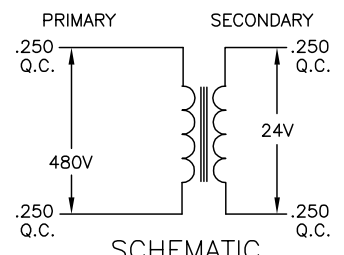
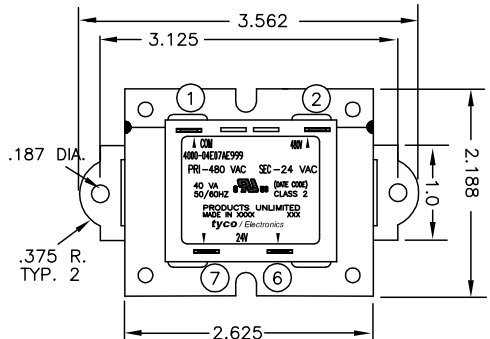


THIS DRAWING IS UNPUBLISHED. RELEASED FOR PUBLICATION
 © COPYRIGHT BY TYCO ELECTRONICS CORPORATION. ALL RIGHTS RESERVED.

LOC	DIST	REVISIONS					
GZ	00	P	LTR	DESCRIPTION	DATE	DWN	APVD
		A		NEW FORMAT & EC0720-0089-04	16FEB04	MD	KH

PRIMARY				TERMINAL NO.		6		7	
TERMINAL NO.				VOLTAGE		24		VAC	
VOLTAGE				TERMINAL WIDTH		.250		.250	
TERMINAL WIDTH				TERMINAL THICKNESS		.032		.032	
TERMINAL THICKNESS				NOTES: 1. DIMENSIONS FOR REFERENCE ONLY. 2. WINDING PROTECTION-INHERENTLY LIMITING					



ALL Q.C. .250 X .032

SCHEMATIC

CUST. NO.	TYCO PART NUMBER
-	5-1611454-6
Tyco Electronics Corporation Harrisburg, Pa 17105-3608	
NAME	
TRANSFORMER OUTLINE	
SIZE	CAGE CODE
A3	00779
DRAWING NO	RESTRICTED TO
C-4000-04E07AE999	-
CUSTOMER DRAWING	SCALE
	NTS
SHEET	REV
1 of 1	A

THIS DRAWING IS A CONTROLLED DOCUMENT.	
DIMENSIONS:	TOLERANCES UNLESS OTHERWISE SPECIFIED:
INCHES	
0 PLC	± .005
1 PLC	± .002
2 PLC	± .001
3 PLC	± .0005
4 PLC	± .0002
ANGLES	± .005
MATERIAL	FINISH
-	-

DWN	16FEB04
M.DAVIS	
CHK	16FEB04
K.HOLSCHUH	
APVD	16FEB04
K.HOLSCHUH	
PRODUCT SPEC	
APPLICATION SPEC	
WEIGHT	
CUSTOMER DRAWING	