

THIS DRAWING IS UNPUBLISHED. RELEASED FOR PUBLICATION  
 © COPYRIGHT BY TYCO ELECTRONICS CORPORATION. ALL RIGHTS RESERVED.

LOC	DIST	REVISIONS			
P	LTR	DESCRIPTION	DATE	DWN	APVD
GZ	00	NEW FORMAT & EC0720-0054-04	02FEB04	MD	WS

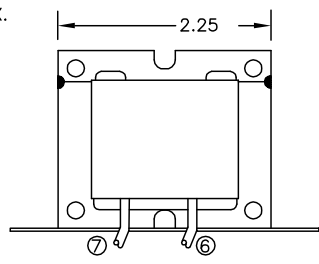
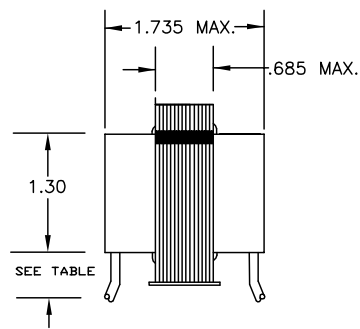
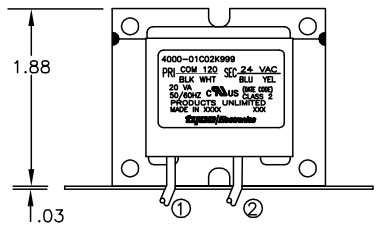
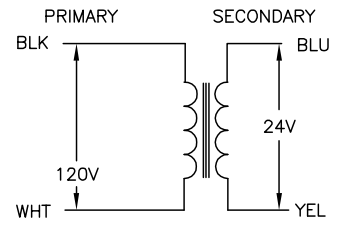
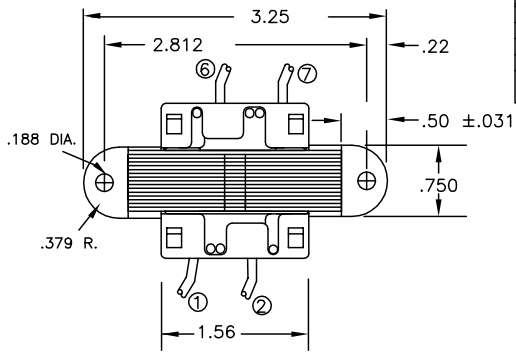
ALL LEADS 18AWG-UNLESS OTHERWISE SPECIFIED

LEAD NO.	1	2	3	4	5
VOLTAGE	COM	120			
COLOR	BLK	WHT			
LENGTH	12.0	12.0			
STRIP LENGTH	.50	.50			

- NOTES
1. DIMENSIONS FOR REFERENCE ONLY.
  2. ALL LEADS +1"/-0" TOL.
  3. STRIP TOL. ±1/32
  4. WINDING PROTECTION-INHERENTLY LIMITING

CERTIFICATION:  
UL & CUL FILE NO. E87824

SECONDARY				
LEAD NO.	6	7	8	9
VOLTAGE	24	VAC		
COLOR	BLU	YEL		
LENGTH	12.0	12.0		
STRIP LENGTH	.50	.50		



SEE TABLE

CUST. NO.	TYCO PART NUMBER
-	3-1611449-0

THIS DRAWING IS A CONTROLLED DOCUMENT.		DWN M.DAVIS 02FEB04	Tyco Electronics Corporation Harrisburg, Pa 17105-3608	NAME				
DIMENSIONS:		CHK W.SORAH 02FEB04		TRANSFORMER OUTLINE				
INCHES		APVD W.SORAH 02FEB04		-				
TOLERANCES UNLESS OTHERWISE SPECIFIED:		PRODUCT SPEC	SIZE	CAGE CODE	DRAWING NO	RESTRICTED TO		
0 PLC ± -		APPLICATION SPEC	A3	00779	C-4000-01C02K999	-		
1 PLC ± -		WEIGHT	CUSTOMER DRAWING					
2 PLC ± -		SCALE				SHEET	OF	REV
3 PLC ± -		NTS				1	1	A
4 PLC ± -								
ANGLES ± 1°								
MATERIAL								
FINISH								

AMP 1470-19 REV 31MAR2000

H:\edmmod\0720-0054-04\customer\4000-01C02K999.dwg