

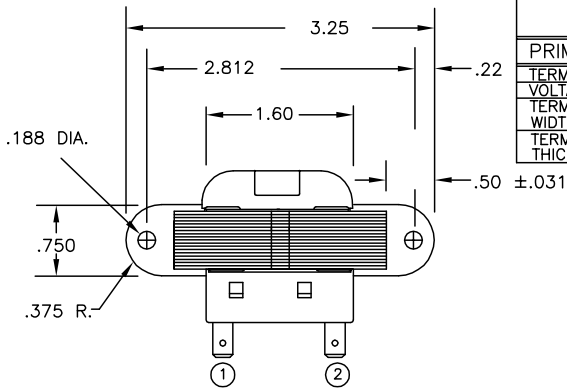
THIS DRAWING IS UNPUBLISHED. RELEASED FOR PUBLICATION
 © COPYRIGHT BY TYCO ELECTRONICS CORPORATION. ALL RIGHTS RESERVED.

LOC	DIST	REVISIONS					
GZ	00	P	LTR	DESCRIPTION	DATE	DWN	APVD
		B		EC0720-0094-03	17OCT03	MD	KH

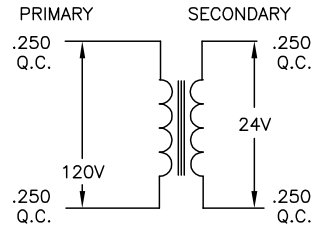
PRIMARY			
TERMINAL NO.	1	2	3
VOLTAGE	COM	120	
TERMINAL WIDTH	.250	.250	
TERMINAL THICKNESS	.032	.032	

NOTES
 1. DIMENSIONS FOR REFERENCE ONLY.
 2. WINDING PROTECTION—INHERENTLY LIMITING

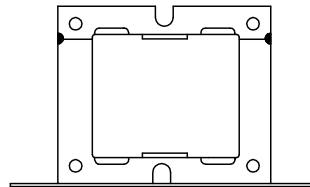
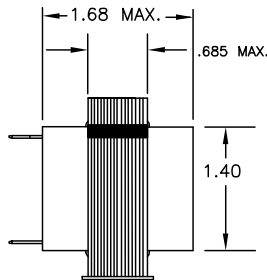
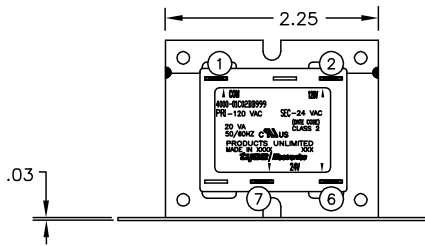
SECONDARY		
TERMINAL NO.	6	7
VOLTAGE	24	VAC
TERMINAL WIDTH	.250	.250
TERMINAL THICKNESS	.032	.032



ALL Q.C. .250 X .032



SCHMATIC



TYCO PART NUMBER
 1-1611449-0

THIS DRAWING IS A CONTROLLED DOCUMENT.		DWN M.DAVIS 12SEP03	Tyco Electronics Corporation Harrisburg, PA, 17105	
DIMENSIONS: INCHES		CHK W.SORAH 12SEP03	RESTRICTED TO	
TOLERANCES UNLESS OTHERWISE SPECIFIED:		APVD W.SORAH 12SEP03	NAME TRANSFORMER OUTLINE P.U. STOCK	
0 PLC ± -	1 PLC ± -	PRODUCT SPEC	SIZE A3	CAGE CODE 00779
2 PLC ± -	3 PLC ± -	APPLICATION SPEC	DRAWING NO C=4000-01C02BB999	RESTRICTED TO
4 PLC ± -	ANGLES ± -	FINISH	WEIGHT	SCALE NTS
MATERIAL			CUSTOMER DRAWING	SHEET 1 OF 1 REV B