

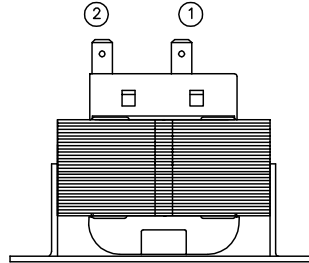
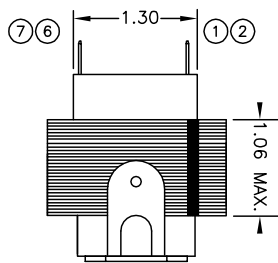
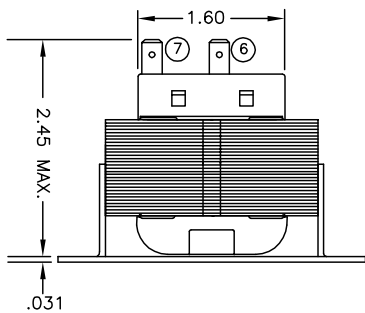
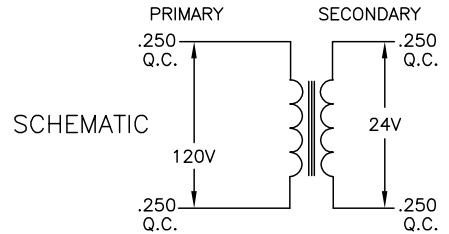
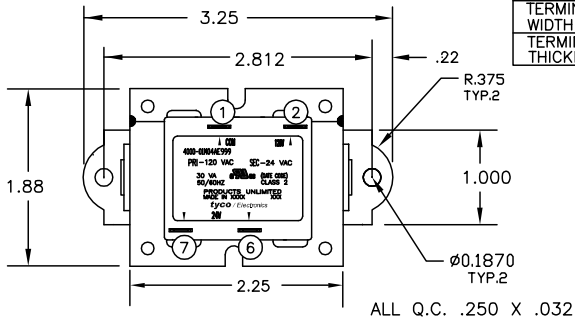
THIS DRAWING IS UNPUBLISHED. RELEASED FOR PUBLICATION
 © COPYRIGHT BY TYCO ELECTRONICS CORPORATION. ALL RIGHTS RESERVED.

LOC	DIST	REVISIONS					
GZ	00	P	LTR	DESCRIPTION	DATE	DWN	APVD
		A		NEW FORMAT & EC0720-0089-04	13FEB04	MD	KH

PRIMARY				TERMINAL NO.		
VOLTAGE				6		
TERMINAL WIDTH				24 VAC		
TERMINAL THICKNESS				.250		
				.250		
				.032		
				.032		

NOTES
 1. DIMENSIONS FOR REFERENCE ONLY.
 2. WINDING PROTECTION-INHERENTLY LIMITING

CERTIFICATION: UL & CUL FILE NO. E87824		
SECONDARY		
TERMINAL NO.	6	7
VOLTAGE	24	VAC
TERMINAL WIDTH	.250	.250
TERMINAL THICKNESS	.032	.032



THIS DRAWING IS A CONTROLLED DOCUMENT.

DIMENSIONS:	TOLERANCES UNLESS OTHERWISE SPECIFIED:
0 PLC	± -
1 PLC	± -
2 PLC	± -
3 PLC	± -
4 PLC	± -
ANGLES	± -
MATERIAL	FINISH
-	-

DWN	13FEB04
M.DAVIS	
CHK	13FEB04
K.HOLSCHUH	
APVD	13FEB04
K.HOLSCHUH	
PRODUCT SPEC	
APPLICATION SPEC	
WEIGHT	
CUSTOMER DRAWING	

CUST. NO.	TYCO PART NUMBER
-	1611450-3
Products Tyco Electronics Corporation Harrisburg, Pa 17105-3608	
NAME: TRANSFORMER OUTLINE	
SIZE	CAGE CODE
A3	00779
DRAWING NO	RESTRICTED TO
C=4000-01M04AE999	-
SCALE	SHEET
NTS	1 of 1
REV	A