

One-4-All™ International Triple Output Transformers • Printed Circuit Mount



For 5 VDC and ±12 VDC or ±15 VDC Regulated Power Supplies Requiring International Safety Certification



Signal's 14A triple output transformers have PC board mounting capability plus all of the performance features of our split bobbin 14A series.

General Specifications

- Power - 20 VA to 56 VA
- Dielectric Strength - 4000 Vrms Hipot
- Primaries - Dual 115/230 V, 50/60 Hz
- Secondaries - Dual complementary outputs
- Insulation System - Class F, 155° C, UL 1446 (E66312)
- Flammability Rating - Bobbin and shroud material meet UL 94-V0

Agency Certifications

- UL recognized to UL 506 / UL 5085-2, File # E63829
- CSA certified to C22.2 No. 66.1, File # 221070
- VDE certified to VDE 0805 / EN 60950, File # 1446



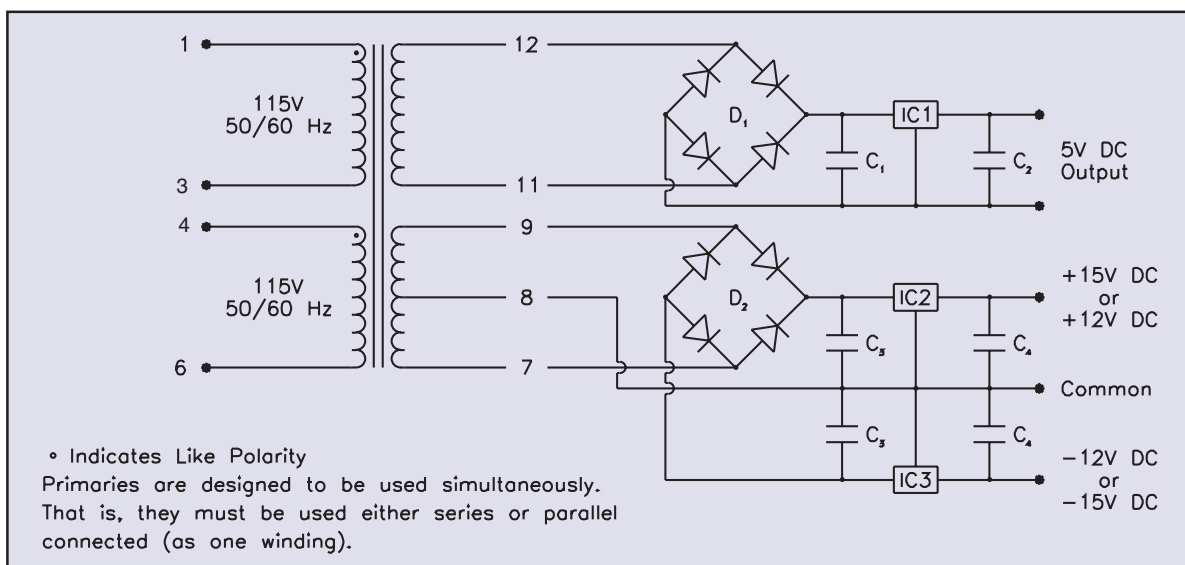
Part Number	VA	DC Output		Suggested Components (C ₂ and C ₄ See Note 1)					
		Size	Regulator I	Regulator II	C ₁	IC ₁ ³	IC ₂ ³	IC ₃ ³	D ₁ ⁴
14A-20-512	20	5V @ 750mA	±12V @ 200mA	2.3 KMFD @ 50 VDC	LM-323K-5	LM-340K-12	LM-320K-12	PE20	PF20
14A-20-515	20	5V @ 750mA	±15V @ 175mA		LM-323K-5	LM-340K-15	LM-320K-15	PE20	PF20
14A-30-512	30	5V @ 1.25A	±12V @ 250mA	4.1 KMFD @ 15VDC	LM-323K-5	LM-340K-12	LM-320K-12	PE20	PF20
14A-30-515	30	5V @ 1.25A	±15V @ 200mA		LM-323K-5	LM-340K-15	LM-320K-15	PE20	PF20
14A-56-512	56	5V @ 3A	±12V @ 300mA	10.0 KMFD @ 15 VDC	LM-338 ²	LM-340K-12	LM-320K-12	PP20	PF20
14A-56-515	56	5V @ 3A	±15V @ 250mA		LM-338 ²	LM-340K-15	LM-320K-15	PP20	PF20

Note 1: Output capacitors C₂ and C₄ are required to stabilize regulators. Values can be 1 MFD min. tantalum or 10 MFD min. electrolytic, 20V min.

Note 2: LM-338 is an adjustable regulator and MFR's specifications (National Semiconductor) should be consulted for values of external components.

Note 3: All ICs are National Semiconductor types.

Note 4: All bridges are EDI types.



Custom versions available upon request.

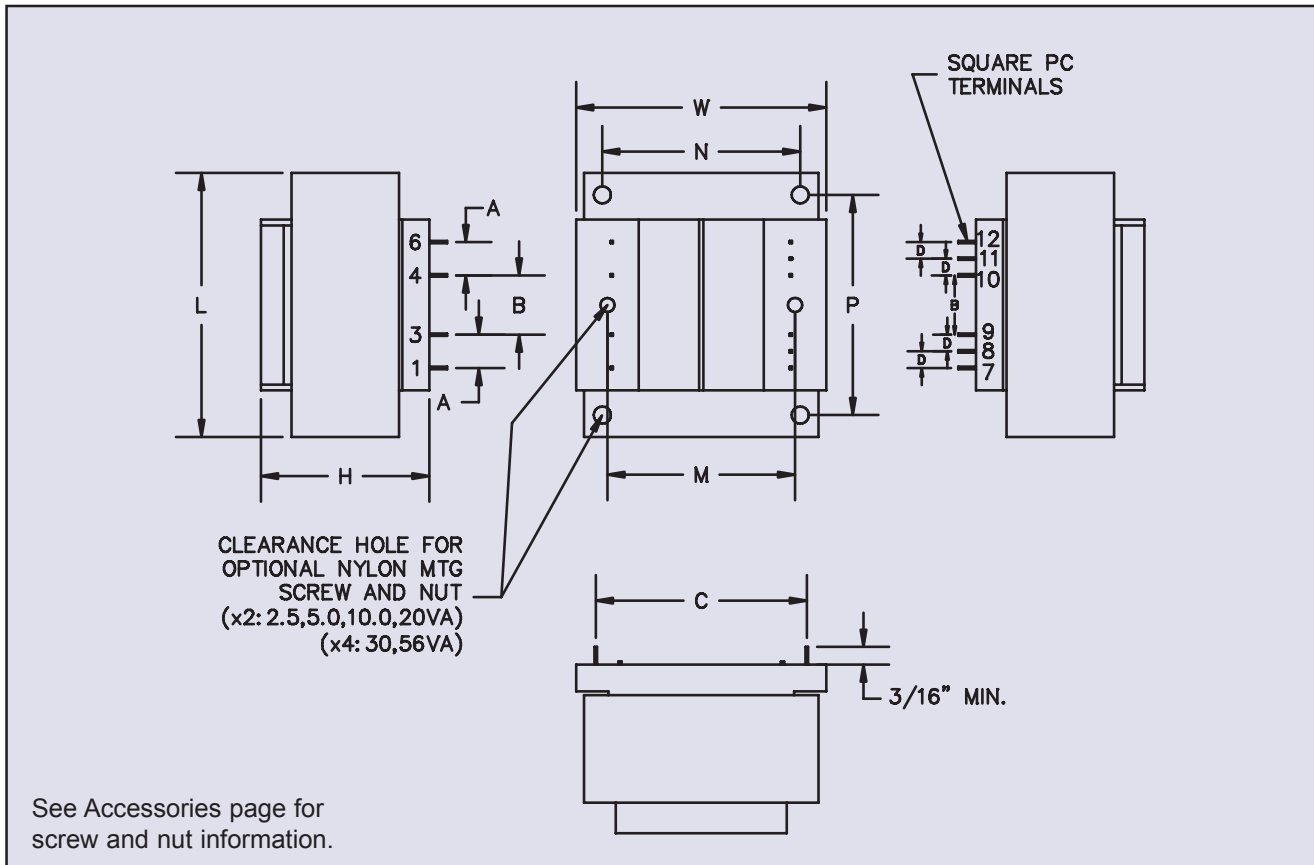
©2008 Signal Transformer — Specification subject to change without notice. 07.08



500 Bayview Avenue, Inwood, NY 11096
 Toll Free 866-239-5777 • Tel 516-239-5777 • Fax 516-239-7208
 sales@signaltransformer.com • techhelp@signaltransformer.com

One-4-All™ International Triple Output Transformers • Printed Circuit Mount

For 5 VDC and ±12 VDC or ±15 VDC Regulated Power Supplies Requiring International Safety Certification



VA	Dimensions							Square Pin Dimensions	Mounting Dimensions			Mounting Screw		Weight	
	L	W	H*	A	B	C	D		M	N	P	Size	Qty		
	Inches (mm)												Size	Qty	lbs (kg)
20	2.25 (57.2)	1.87 (47.6)	1.62 (41.3)	0.40 (10.2)	0.40 (10.2)	1.46 (37.1)	0.20 (5.1)	0.03 (0.97)	1.50 (38.1)	-	-	#4	2	0.90 (0.41)	
30	2.62 (66.7)	2.18 (55.5)	1.56 (39.7)	0.55 (13.9)	0.27 (7.0)	1.68 (42.7)	0.27 (7.0)	0.04 (1.14)	-	1.75 (44.5)	2.18 (55.4)	#6	4	1.15 (0.52)	
56	3.00 (76.2)	2.50 (63.5)	1.81 (46.0)	0.60 (15.2)	0.30 (7.6)	1.90 (48.3)	0.30 (7.6)	0.04 (1.14)	-	2.00 (50.8)	2.50 (63.5)	#6	4	1.70 (0.77)	

*Note: Dimension H represents the total distance from the seating plane to the uppermost surface, stand offs and/or risers inclusive.

Custom versions available upon request.

©2008 Signal Transformer — Specification subject to change without notice. 07.08



500 Bayview Avenue, Inwood, NY 11096
Toll Free 866-239-5777 • Tel 516-239-5777 • Fax 516-239-7208
sales@signaltransformer.com • techhelp@signaltransformer.com