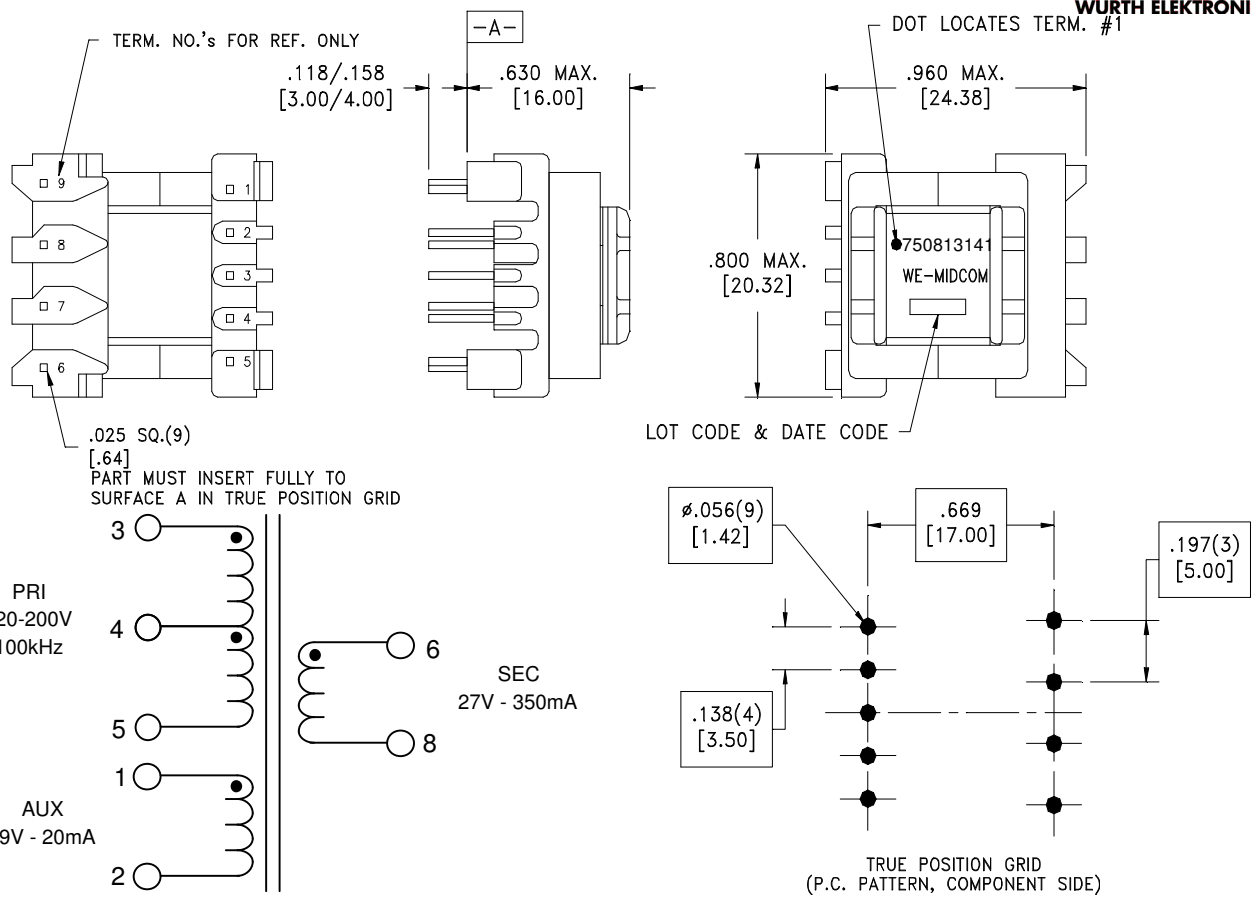


CUSTOMER TERMINAL	RoHS	LEAD(Pb)-FREE
Sn96%, Ag4%	Yes	Yes



**ELECTRICAL SPECIFICATIONS @ 25°C unless otherwise noted:**

- D.C. RESISTANCE (@20°C):  
 1-2 , 0.343 Ohms  $\pm 10\%$ .  
 3-5 , 5.05 Ohms  $\pm 10\%$ .  
 6-8 , 0.079 Ohms  $\pm 20\%$ .
- DIELECTRIC RATING:  
 4500VAC, 1 minute tested by applying 4500VAC for 1 second between pins 1-8(tie2+4).  
 500VAC, 1 minute tested by applying 625VAC for 1 second between pins 1-4.
- INDUCTANCE:  
 4.0 mH  $\pm 10\%$ , 10kHz, 100mVAC, 0mADC, 3-5, Ls.
- SATURATION CURRENT:  
 340mA saturating current that causes 20% rolloff from initial inductance.
- LEAKAGE INDUCTANCE:  
 35 $\mu$ H typ., 50 $\mu$ H max., 100kHz, 100mVAC, 3-5(tie 1+2, 6+8), Ls.
- URNS RATIO:  
 ( 4-5 ):( 3-4 ) , ( 1 ):( 1 ) ,  $\pm 1\%$ .  
 ( 3-5 ):( 1-2 ) , ( 19 ):( 1 ) ,  $\pm 1\%$ .  
 ( 3-5 ):( 6-8 ) , ( 13.57 ):( 1 ) ,  $\pm 1\%$ .

Preliminary

Designed to comply with the following requirements as defined by IEC61558-2-17:  
 - Reinforced insulation for a primary circuit at a working voltage of 400VDC.

OPERATING TEMPERATURE RANGE: -40°C to 125°C including temp. rise.

T\_0\_5280

WE-Midcom, Inc. Watertown, SD USA Toll Free: 800-643-2661 Fax: 605-886-4486	Unless otherwise specified, tolerances are as follows: Angles: $\pm 1^\circ$ Fractions: $\pm 1/64$ Decimals: $\pm .005$ (.127mm)		WE-Midcom, Inc.	
	Drawing Title <b>Transformer</b>		Drawing Number <b>750813141</b>	Rev. <b>00</b>
This drawing is dual dimensioned. Dimensions in brackets are in millimeters	Revisions: See Sheet 1		Scale ----	Sheet 2 of 5
Engineer:APS			02/05/2010	