

THREE FLANGE DUAL PRIMARY 56VA PC BOARD POWER TRANSFORMER

A. Electrical Specifications (@ 25°C)

1. Maximum Power: 56VA
2. Primary Voltage and Frequency: 115/230VAC 50/60Hz
3. Secondary RMS Rating: See Table A
4. Voltage Regulation: 18% TYP @ full load to no load
5. Temperature Rise: 70°C TYP
6. Insulation Resistance:
 - 100MΩ MIN @ 500VDC, Pri to Sec, Pri to Core
 - 100MΩ MIN @ 500VDC, Sec to Core
7. Dielectric Withstand: 3750Vrms 1 minute @ Pri to Sec
 1500 Vrms 1 minute @ Pri to Core
 1500 Vrms 1 minute @ Sec to Core

B. Marking: TAMURA, MICROTRAN, part number (see sheet 2), date code, country of origin, safety logos and input and output ratings

C. Safety:

Conforms to construction requirement of:

- UL1411
- UL506
- EN61558-1, -2-6
- CSA No. 66-1956
- Class B (130°C) Electrical Insulation System

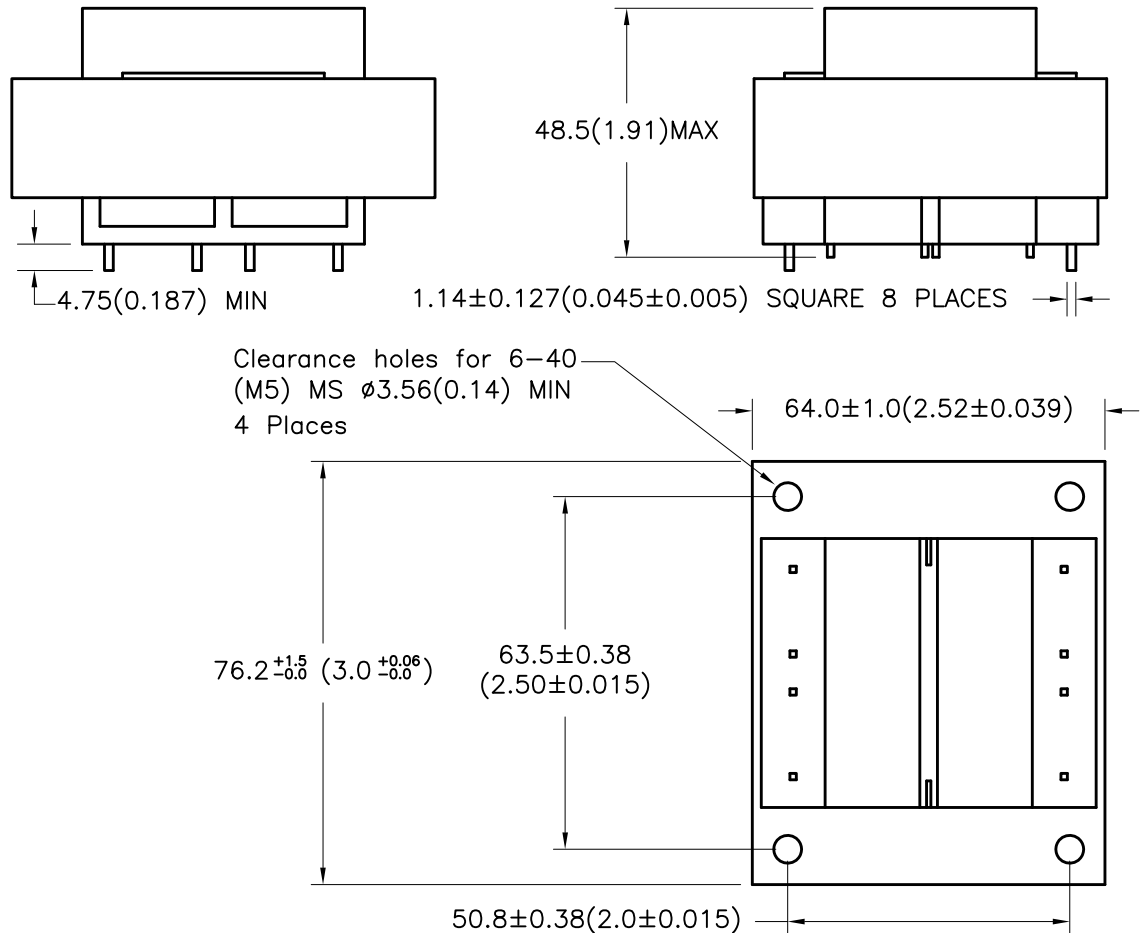
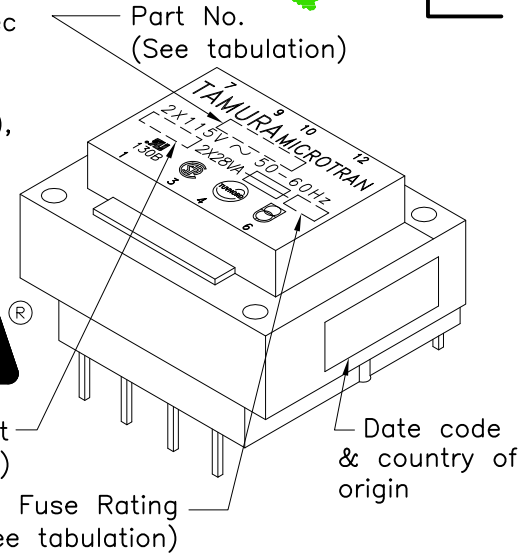
Safety certificate file reference:

- UL E138028, E79781, E92957
- CSA 069222
- TUV (P.S.) 20650818

D. Mechanical Specifications:



MODEL NUMBER
PL56-XX-130B



| |
|--|
| REV. Status |
| REVISION - 06/11/03 YS |
| REVISION A ADDED RoHS & UPDATED LABELS 03/01/06 MP |
| REVISION B CHG TUV FILE # WAS 810/89 (EN60950 & VDE 0551). CLARIFIED PIN OUTS 04/23/07 YS |
| REVISION C UPDATE LOGO'S TO STD IED. DIELECTRIC WITHSTAND WAS HI-POT 3500. 12/3/08 EB |
| REVISION D UPDATE LOGO'S 12/3/09 EM |

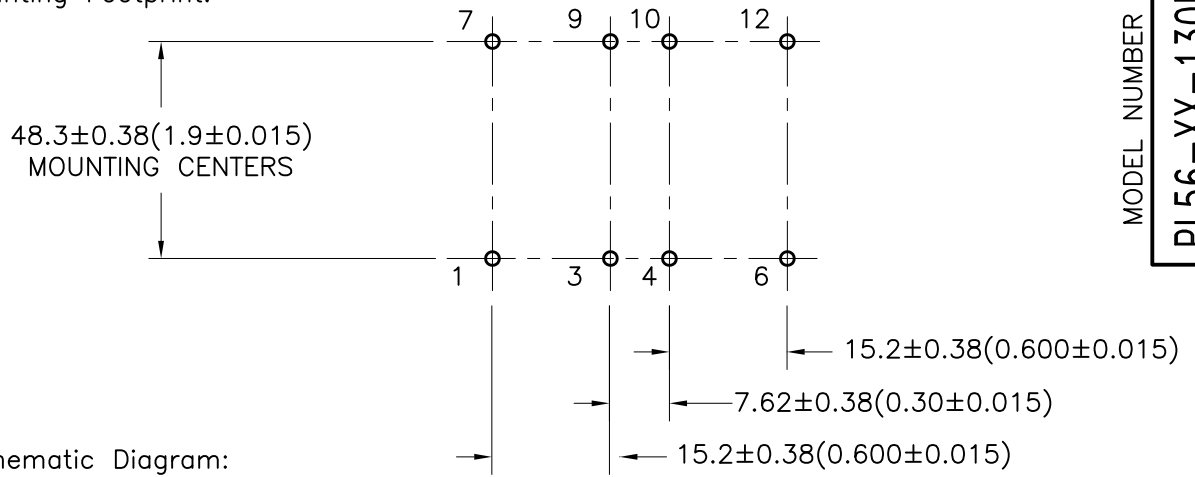
| TOLERANCES (mm) |
|-----------------|
| ≤ 4 ± 0.2 |
| 4 ≤ 20 ± 0.3 |
| 20 ≤ 50 ± 0.4 |

PREPARED BY:
C. POPPE

NOTE: BOARD WASHING IS NOT RECOMMENDED FOR THESE PARTS.

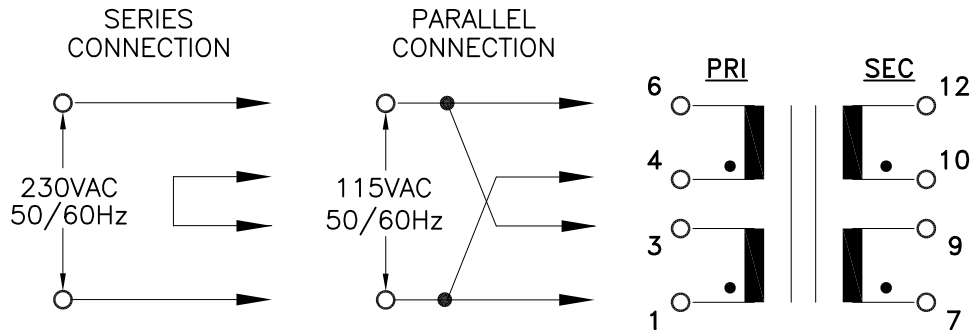
| | | | | |
|---------------------------------------|--|-----------------|--|---------------------------------|
| ENGINEER: M. PITCHAI | DWG CONTROL NO. P-A1-12262 ACAD\MXFMR\A1122621.DWG | REV D | POWER TRANSFORMER | PL56-XX-130B |
| SAFETY ENGINEER B. OCONNELL | CONTENTS OF THIS DRAWING ARE SUBJECT TO CHANGE WITHOUT PRIOR NOTICE | | TAMURA CORPORATION OF AMERICA 43352 BUSINESS PARK DRIVE, TEMECULA, CA. 92590-6624 (951) 699-1270 FAX 9516769482 | MODEL SPECIFICATION |
| APPROVED: P. BRUNE | PROPRIETARY NOTICE: THIS DRAWING PRINT OR DOCUMENT AND SUBJECT MATTER DISCLOSED HEREIN ARE PROPRIETARY ITEMS TO WHICH TAMURA RETAINS THE EXCLUSIVE RIGHT OF DISSEMINATION, REPRODUCTION, MANUFACTURE AND SALE. THIS DRAWING, PRINT OR DOCUMENT IS SUBMITTED IN CONFIDENCE FOR CONSIDERATION BY THE RECIPIENT ALONE UNLESS PERMISSION FOR FURTHER DISCLOSURE IS EXPRESSLY GRANTED IN WRITING. | | | DIM: mm(In) SCL: 1/1 SH: 1 OF 2 |

E. Mounting Footprint:

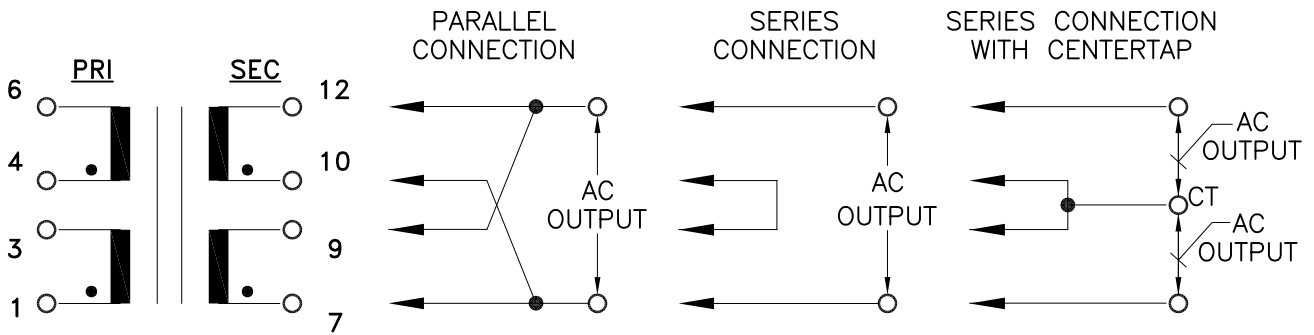


F. Schematic Diagram:

PRIMARY INPUT CONNECTIONS



SECONDARY OUTPUT CONNECTIONS



G. Table A:

T= Time lag

| PART NO. | PARALLEL | | SERIES | | SERIES WITH CT | | -RY FUSE REQ'D EA. WINDING |
|--------------|----------|----------|----------|----------|----------------|----------|----------------------------------|
| | AC VOLTS | RMS AMPS | AC VOLTS | RMS AMPS | AC VOLTS | RMS AMPS | |
| PL56-10-130B | 5.0 | 11.20 | 10.0 | 5.60 | 5.0-CT-5.0 | 5.60 | |
| | 6.3 | 8.80 | 12.6 | 4.40 | 6.3-CT-6.3 | ∠ | |
| | 8.0 | 7.00 | 16.0 | 3.50 | 8.0-CT-8.0 | | |
| | 10.0 | 5.60 | 20.0 | 2.80 | 10.0-CT-10.0 | | |
| | 12.0 | 4.66 | 24.0 | 2.33 | 12.0-CT-12.0 | | |
| | 14.0 | 4.00 | 28.0 | 2.00 | 14.0-CT-14.0 | | |
| | 18.0 | 3.12 | 36.0 | 1.56 | 18.0-CT-18.0 | 1.56 | |

PREPARED BY:

C. POPPE

ENGINEER:

M. PITCHAI

SAFETY ENGINEER

B. OCONNELL

APPROVED:

P. BRUNE

DWG CONTROL NO.
P-A1-12262
ACAD\MXFMR\A1122622.DWG

REV
D

POWER
TRANSFORMER

TAMURA CORPORATION OF AMERICA
43352 BUSINESS PARK DRIVE, TEMECULA, CA. 92590-6624
(951) 699-1270 FAX 9516769482

PL56-XX-130B

MODEL SPECIFICATION

DIM: mm(ln) SCL: 1/1 SH: 2 OF 2

PROPRIETARY NOTICE: THIS DRAWING PRINT OR DOCUMENT AND SUBJECT MATTER DISCLOSED HEREIN ARE PROPRIETARY ITEMS TO WHICH TAMURA RETAINS THE EXCLUSIVE RIGHT OF DISSEMINATION, REPRODUCTION, MANUFACTURE AND SALE. THIS DRAWING, PRINT OR DOCUMENT IS SUBMITTED IN CONFIDENCE FOR CONSIDERATION BY THE RECIPIENT ALONE UNLESS PERMISSION FOR FURTHER DISCLOSURE IS EXPRESSLY GRANTED IN WRITING.