



THREE FLANGE DUAL PRIMARY 20VA PC BOARD POWER TRANSFORMER

A. Electrical Specifications (@ 25°C)

1. Maximum Power: 20VA
2. Primary Voltage and Frequency: 115/230VAC 50/60Hz
3. Secondary RMS Rating:
 - (7-9); 9.3VAC @ 1.5A LOAD.
 - (10-12); 27.5VAC CT @ 0.22A LOAD.
4. Voltage Regulation: 20% TYP @ full load to no load
5. Temperature Rise: 45°C TYP (60°C MAX ALLOWED)
6. Insulation Resistance:
 - 100MΩ MIN @ 500VDC, Pri to Sec, Pri to Core
 - 100MΩ MIN @ 500VDC, Sec to Core
7. Dielectric Withstand: 3750Vrms 1 minute @ Pri to Sec
 - 1500 Vrms 1 minute @ Pri to Core
 - 1500 Vrms 1 minute @ Sec to Core

B. Marking: TAMURA, MICROTRAN, PLT20-32-130B.

date code, country of origin, safety logos and input, output ratings, & terminal numbers.

C. Safety:

Conforms to construction requirement of:

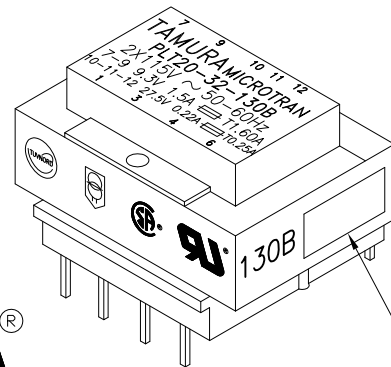
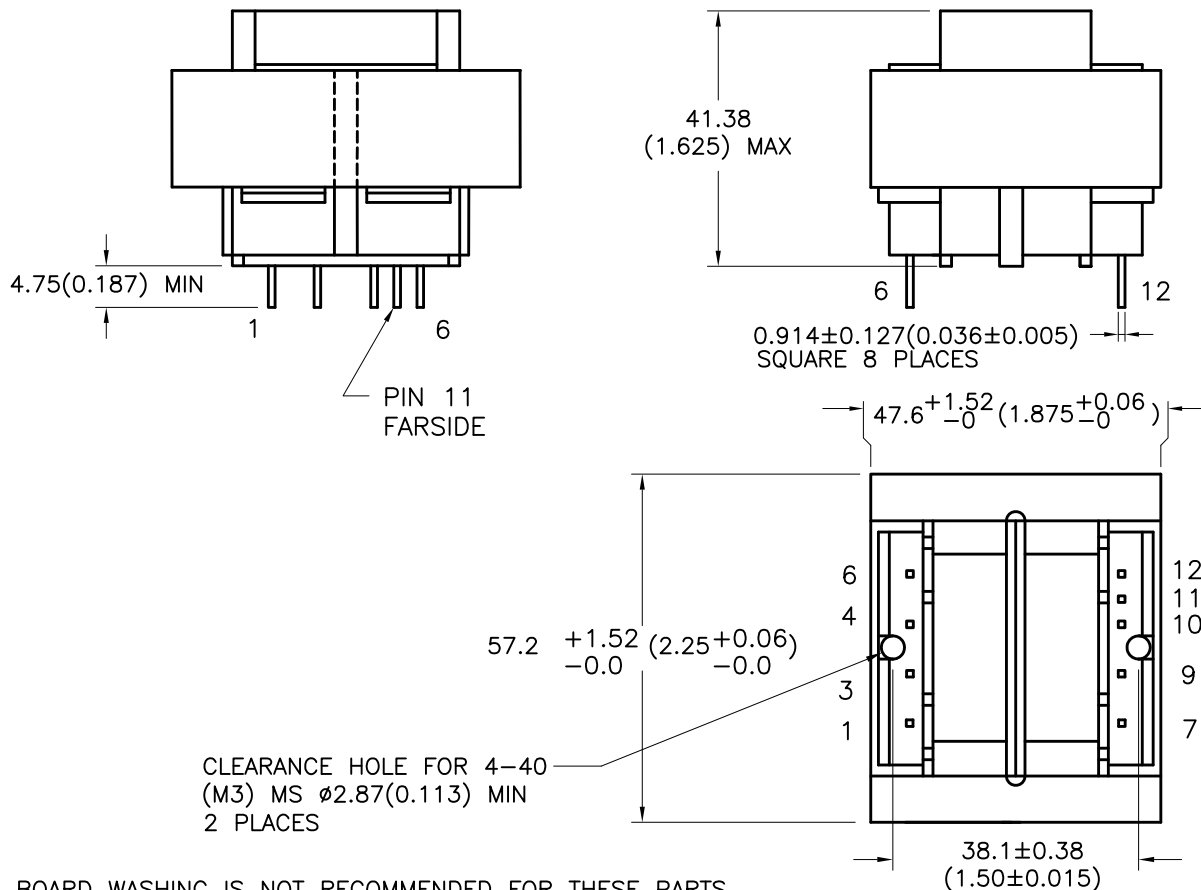
- UL1411
- UL506
- UL1446
- EN61558-1, -2-6
- CSA No. 66-1956



Safety certificate file reference:

- UL E138028, E79781, E92957
- CSA 069222
- TUV (P.S.) 20650818

D. Mechanical Specifications:



Date code and country of origin

MODEL NUMBER

PLT20-32-130B

TOLERANCES (mm)
≤ 4 ± 0.2
4 ≤ 20 ± 0.3
20 ≤ 50 ± 0.4

PREPARED BY:

C. Poppe

NOTE: BOARD WASHING IS NOT RECOMMENDED FOR THESE PARTS

ENGINEER:
Mathi Pitchai

DWG CONTROL NO.
P-A1-13644
ACAD/MXFMR/A1136441.DWG

REV
-

POWER
TRANSFORMER

PLT20-32-130B

SAFETY ENGINEER
B. Oconnel

CONTENTS OF THIS DRAWING ARE SUBJECT TO CHANGE WITHOUT PRIOR NOTICE

TAMURA CORPORATION OF AMERICA
43352 BUSINESS PARK DRIVE, TEMECULA, CA. 92590-6624
(951) 699-1270 FAX 9516769482

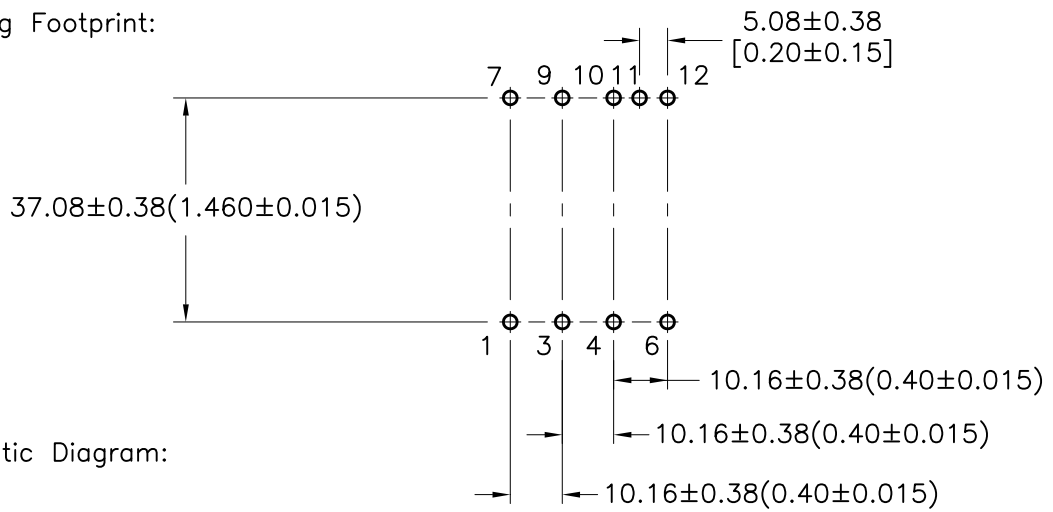
MODEL SPECIFICATION

DIM: mm(in) SCL: 1/1 SH: 1 OF 2

APPROVED:
Peter Brune

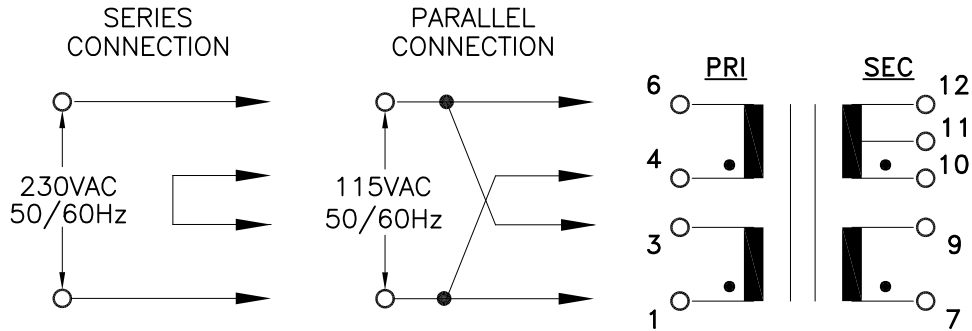
PROPRIETARY NOTICE: THIS DRAWING PRINT OR DOCUMENT AND SUBJECT MATTER DISCLOSED HEREIN ARE PROPRIETARY ITEMS TO WHICH TAMURA RETAINS THE EXCLUSIVE RIGHT OF DISSEMINATION, REPRODUCTION, MANUFACTURE AND SALE. THIS DRAWING, PRINT OR DOCUMENT IS SUBMITTED IN CONFIDENCE FOR CONSIDERATION BY THE RECIPIENT ALONE UNLESS PERMISSION FOR FURTHER DISCLOSURE IS EXPRESSLY GRANTED IN WRITING.

E. Mounting Footprint:

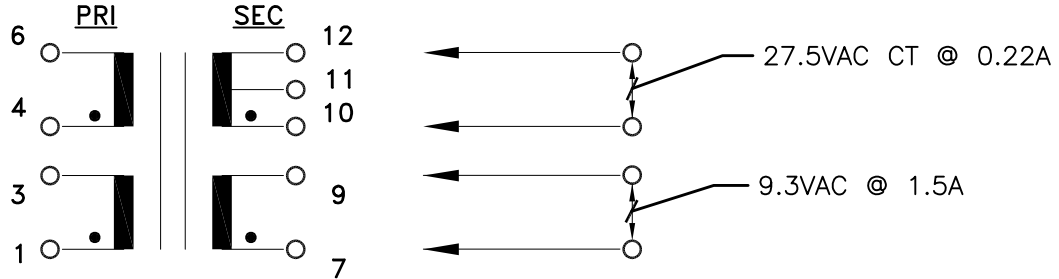


F. Schematic Diagram:

PRIMARY INPUT CONNECTIONS



SECONDARY OUTPUT CONNECTIONS



MODEL NUMBER
PLT20-32-130B

PREPARED BY:

C. Poppe

ENGINEER: **Mathi Pitchai**
DWG CONTROL NO. P-A1-13644
ACAD\MXFMR\A1136442.DWG

REV: **-**
POWER TRANSFORMER

PLT20-32-130B

SAFETY ENGINEER: **B. Oconnel**
CONTENTS OF THIS DRAWING ARE SUBJECT TO CHANGE WITHOUT PRIOR NOTICE

TAMURA CORPORATION OF AMERICA
43352 BUSINESS PARK DRIVE, TEMECULA, CA. 92590-6624
(951) 699-1270 FAX 9516769482

MODEL SPECIFICATION
DIM: mm(In) SCL: 1/1 SH: 2 OF 2

APPROVED: **Peter Brune**

PROPRIETARY NOTICE: THIS DRAWING PRINT OR DOCUMENT AND SUBJECT MATTER DISCLOSED HEREIN ARE PROPRIETARY ITEMS TO WHICH TAMURA RETAINS THE EXCLUSIVE RIGHT OF DISSEMINATION, REPRODUCTION, MANUFACTURE AND SALE. THIS DRAWING, PRINT OR DOCUMENT IS SUBMITTED IN CONFIDENCE FOR CONSIDERATION BY THE RECIPIENT ALONE UNLESS PERMISSION FOR FURTHER DISCLOSURE IS EXPRESSLY GRANTED IN WRITING.