



THREE FLANGE SINGLE PRIMARY 12.0VA PC BOARD POWER TRANSFORMER

REV. Status

- REVISION -  
07/23/96 TS
- REVISION A  
REFORMATTED  
08/14/96 TS
- REVISION B  
REFORMATTED  
07/15/97 TS
- REVISION C  
CHANGED A.7.  
08/20/99 TS
- REVISION D  
ADDED RoHS  
01/12/06 MP

A. Electrical Specifications (@ 25°C)

1. Maximum Power: 12.0 VA
2. Input Voltage and Frequency: 115V 50/60 Hz
3. Secondary Voltage: See Table A
4. Voltage Regulation: 19% TYP @ full load to no load
5. Temperature Rise: 45°C TYP (50°C MAX allowed)
6. Insulation Resistance:  
100 MΩ MIN @ 500VDC, Pri to Sec, Pri to Core  
100 MΩ MIN @ 500VDC, Sec to Core
7. Hi-Pot: 2500 Vrms 1 minute @ Pri to Sec  
1500 Vrms 1 minute @ Pri to Core  
1500 Vrms 1 minute @ Sec to Core  
500 Vrms 1 minute @ Sec to Sec

B. Marking: TAMURA, Tamura part number (see sheet 2), MICROTRAN, Microtran part number (see sheet 2), date code, country of origin, safety logos and input and output ratings

C. Safety:

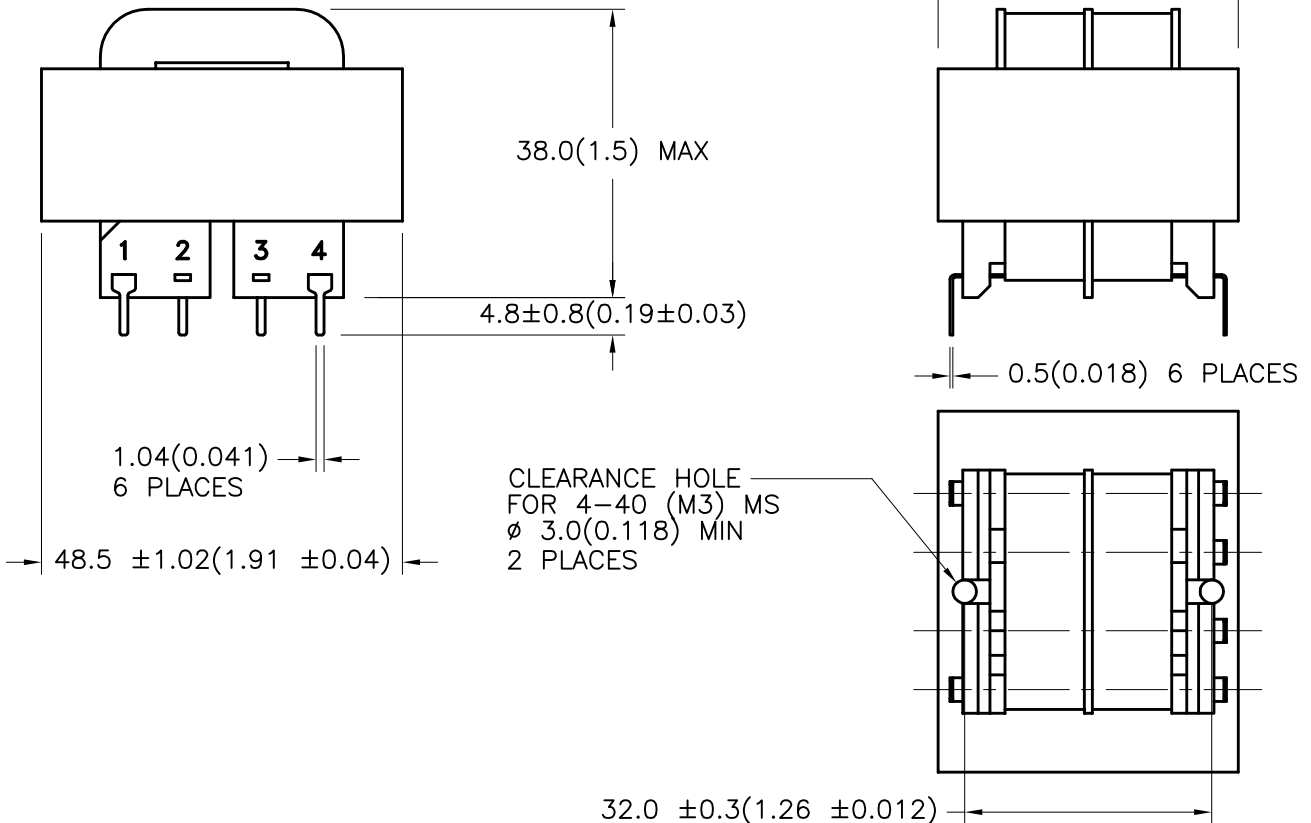
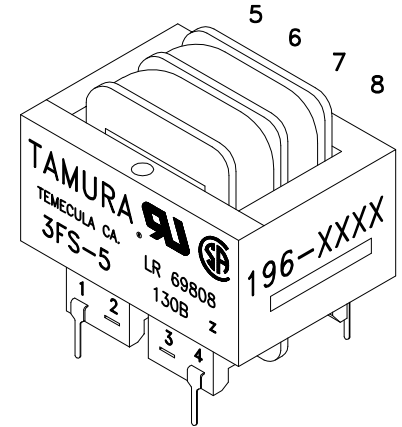
- Insulation Class B (130°C) File No. E92957
- CSA 22.2 Nos. 0 and 66, File No. LR69808
- UL 1585, Class II and III, File No. E95844
- UL 506, General Purpose, File No. E91239

D. Mechanical Specifications:



MODEL NUMBER

3FS-5XX & PSS5-XX



PREPARED BY:

K. BRENNAN

ENGINEER:

M. PITCHAI

QUALITY CONTROL:

T. CLEM

APPROVED:

Y. SEKIGUCHI

DWG CONTROL NO. P-A1-11648  
ACAD\3F\A1116481.DWG

REV D

SIZE 5 3FS & PSS FAMILY  
POWER TRANSFORMER

**TAMURA CORPORATION OF AMERICA**  
43352 BUSINESS PARK DRIVE, TEMECULA, CA. 92590-6624  
(951) 699-1270 FAX 9516769482

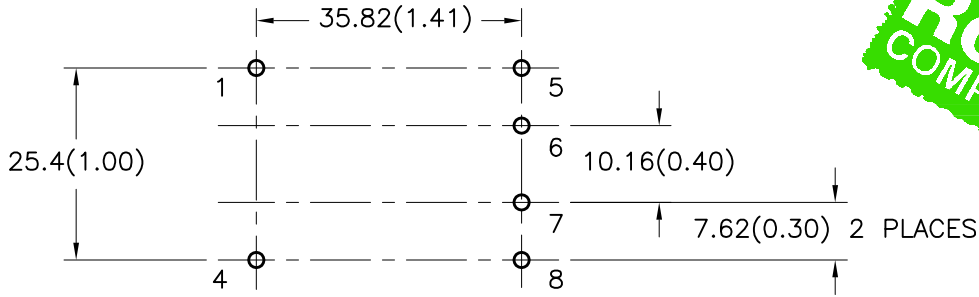
**3FS-5XX & PSS5-XX**

MODEL SPECIFICATION

DIM: mm(In) SCL: 1/1 SH: 1 OF 2

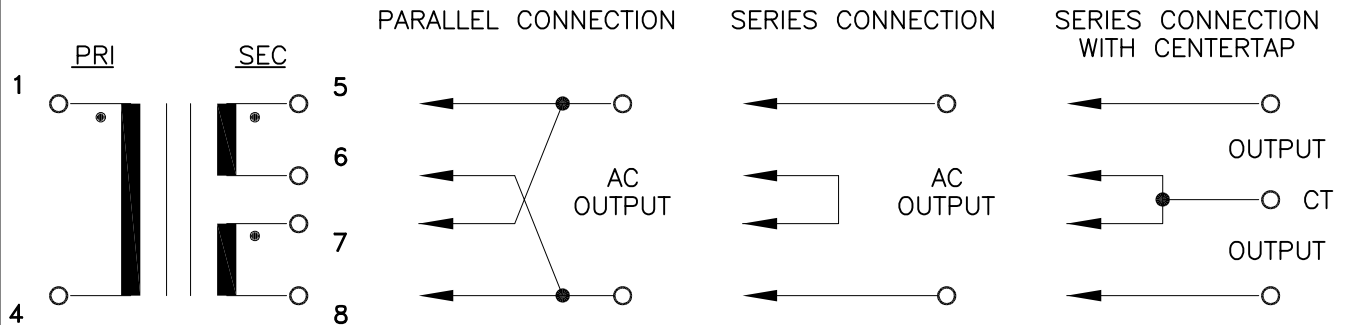
PROPRIETARY NOTICE: THIS DRAWING PRINT OR DOCUMENT AND SUBJECT MATTER DISCLOSED HEREIN ARE PROPRIETARY ITEMS TO WHICH TAMURA RETAINS THE EXCLUSIVE RIGHT OF DISSEMINATION, REPRODUCTION, MANUFACTURE AND SALE. THIS DRAWING, PRINT OR DOCUMENT IS SUBMITTED IN CONFIDENCE FOR CONSIDERATION BY THE RECIPIENT ALONE UNLESS PERMISSION FOR FURTHER DISCLOSURE IS EXPRESSLY GRANTED IN WRITING.

E. Mounting Footprint:



MODEL NUMBER  
3FS-5XX & PSS5-XX

F. Schematic Diagram:



G. Table A: (NOTE: All parts are dual marked with both part numbers)

TAMURA PART NO.	MICROTRAN PART NO.	PARALLEL CONNECTION		SERIES CONNECTION		SERIES CONNECTION WITH CT	
		AC VOLTS	RMS AMPS	AC VOLTS	RMS AMPS	AC VOLTS	RMS AMPS
3FS-510	PSS5-10	5.0	2.4	10.0	1.2	5.0-CT-5.0	1.2
3FS-512	PSS5-12	6.3	2.0	12.6	1.0	6.3-CT-6.3	1.0
3FS-516	PSS5-16	8.0	1.6	16.0	0.8	8.0-CT-8.0	0.8
3FS-520	PSS5-20	10.0	1.2	20.0	0.6	10.0-CT-10.0	0.6
3FS-524	PSS5-24	12.0	1.0	24.0	0.5	12.0-CT-12.0	0.5
3FS-528	PSS5-28	14.0	0.84	28.0	0.42	14.0-CT-14.0	0.42
3FS-536	PSS5-36	18.0	0.7	36.0	0.35	18.0-CT-18.0	0.35
3FS-548	PSS5-48	24.0	0.5	48.0	0.25	24.0-CT-24.0	0.25
3FS-556	PSS5-56	28.0	0.44	56.0	0.22	28.0-CT-28.0	0.22
3FS-5120	PSS5-120	60.0	0.2	120.0	0.1	60.0-CT-60.0	0.1

PREPARED BY:

K. BRENNAN

ENGINEER:

M. PITCHAI

QUALITY CONTROL:

T. CLEM

APPROVED:

Y. SEKIGUCHI

DWG CONTROL NO. P-A1-11648  
ACAD\3F\A1116482.DWG  
REV D

SIZE 5 3FS & PSS FAMILY  
POWER TRANSFORMER

3FS-5XX & PSS5-XX  
MODEL SPECIFICATION

CONTENTS OF THIS DRAWING ARE SUBJECT TO CHANGE WITHOUT PRIOR NOTICE

**TAMURA CORPORATION OF AMERICA**  
43352 BUSINESS PARK DRIVE, TEMECULA, CA. 92590-6624  
(951) 699-1270 FAX 9516769482

DIM: mm(In) SCL: 1/1 SH: 2 OF 2

PROPRIETARY NOTICE: THIS DRAWING PRINT OR DOCUMENT AND SUBJECT MATTER DISCLOSED HEREIN ARE PROPRIETARY ITEMS TO WHICH TAMURA RETAINS THE EXCLUSIVE RIGHT OF DISSEMINATION, REPRODUCTION, MANUFACTURE AND SALE. THIS DRAWING, PRINT OR DOCUMENT IS SUBMITTED IN CONFIDENCE FOR CONSIDERATION BY THE RECIPIENT ALONE UNLESS PERMISSION FOR FURTHER DISCLOSURE IS EXPRESSLY GRANTED IN WRITING.