



THREE FLANGE DUAL PRIMARY 10VA PC BOARD POWER TRANSFORMER



MODEL NUMBER  
PL10-XX-130B

REV. Status
REVISION - 10/22/99 TS
REVISION A REV'D SCHEMATIC SEE PG. 2 11/17/99 TS
REVISION B ADDED RoHS & UPDATED LABELS. DELETED CSA# LR69223 02/15/06 MP
REVISION C CHG TUV FILE # WAS 810/89 (EN60950 & VDE 0551). CLARIFIED PIN OUTS 03/30/07 YS
REVISION D UPDATED SAFETY 11/15/07 YS
REVISION E UPDATE LOGO'S TO STD IED. Dielectric Withstand WAS Hi-Pot 3500. 4-30-08 EB

A. Electrical Specifications (@ 25°C)

1. Maximum Power; 10VA
2. Primary Voltage and Frequency; 115/230VAC 50/60Hz
3. Secondary RMS rating: See tabulation in Table A
4. Voltage Regulation; 25% TYP @ full load to no load
5. Temperature Rise; 45°C TYP (60°C MAX)
6. Insulation Resistance;  
100MΩ MIN @ 500VDC, Pri to Sec, Pri to Core  
100MΩ MIN @ 500VDC. Sec to Core
7. Dielectric Withstand; 3750Vrms 1 minute @ Pri to Sec  
1500Vrms 1 minute @ Pri to Core  
1500Vrms 1 minute @ Sec to Core

B. Marking; TAMURA, MICROTRAN, part number (see sheet 2) date code, country of origin, terminal number and input and output ratings (see sheet 2)

C. Safety:

Conforms to construction requirement of:

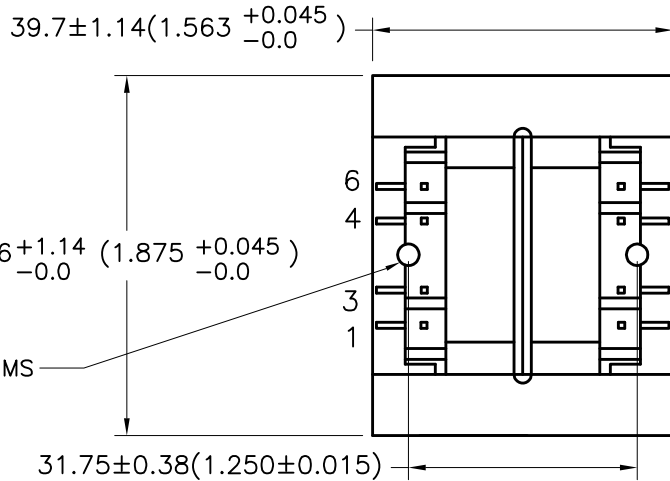
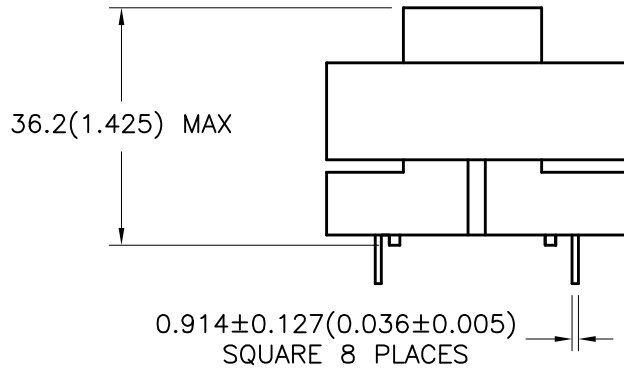
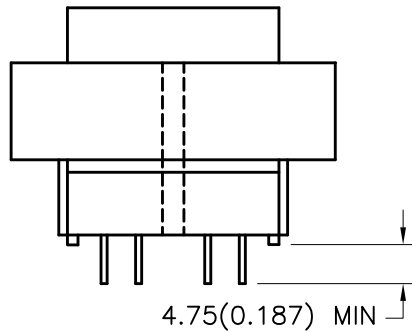
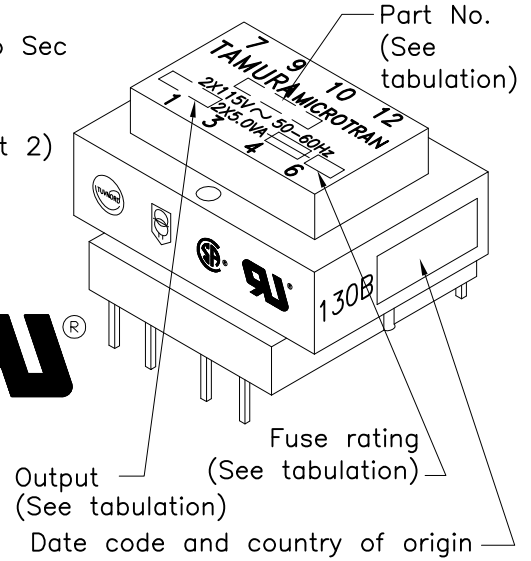
- UL1411
- UL506
- UL1446
- EN61558-1, -2-6
- CSA No. 66-1956



Safety certificate file reference:

- UL E138028, E79781, E92957
- CSA 069222
- TUV (P.S.) 20650818

D. Mechanical Specifications:



CLEARANCE HOLE FOR 4-40 (M3) MS  
Ø 2.87(0.113) MIN. 2 PLACES

TOLERANCES (mm)
≤ 4 ± 0.2
4 ≤ 20 ± 0.3
20 ≤ 50 ± 0.4

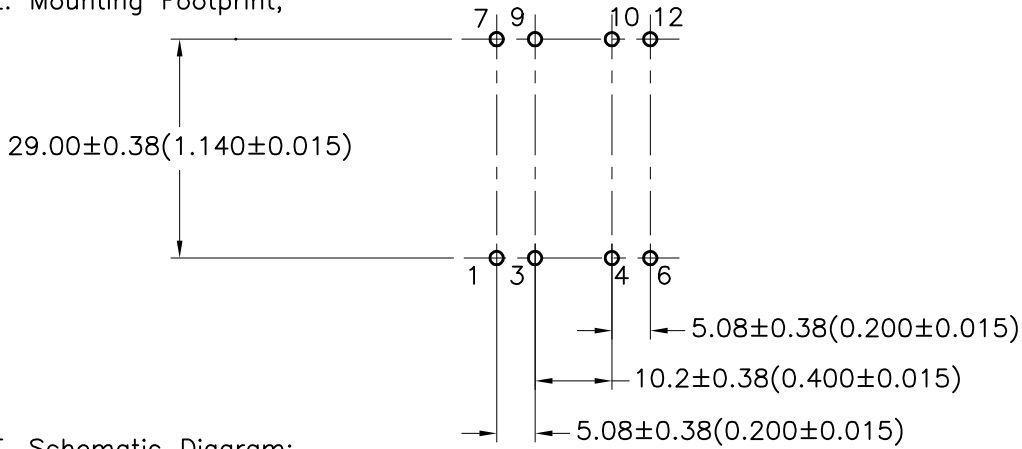
PREPARED BY:

C. Poppe

NOTE: Board washing is not recommended for these parts

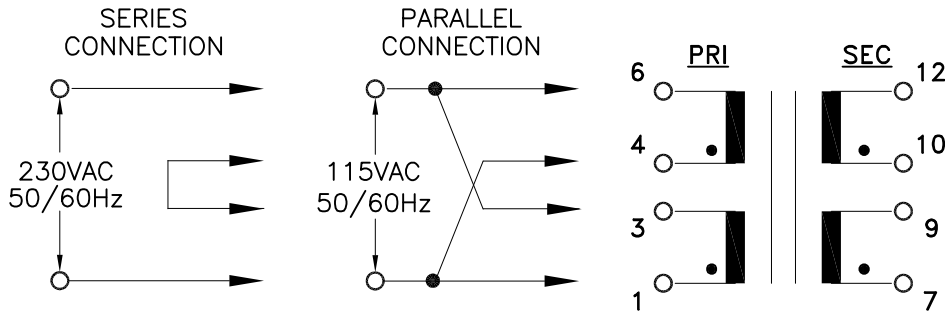
ENGINEER: Mathi Pitchai	DWG CONTROL NO. P-A1-12227 ACAD\MXFMR\A1122271.DWG	REV E	POWER TRANSFORMER	PL10-XX-130B
SAFETY ENGINEER B. Oconnel	CONTENTS OF THIS DRAWING ARE SUBJECT TO CHANGE WITHOUT PRIOR NOTICE			MODEL SPECIFICATION
APPROVED: Peter Brune	PROPRIETARY NOTICE: THIS DRAWING PRINT OR DOCUMENT AND SUBJECT MATTER DISCLOSED HEREIN ARE PROPRIETARY ITEMS TO WHICH TAMURA RETAINS THE EXCLUSIVE RIGHT OF DISSEMINATION, REPRODUCTION, MANUFACTURE AND SALE. THIS DRAWING, PRINT OR DOCUMENT IS SUBMITTED IN CONFIDENCE FOR CONSIDERATION BY THE RECIPIENT ALONE UNLESS PERMISSION FOR FURTHER DISCLOSURE IS EXPRESSLY GRANTED IN WRITING.			DIM: mm(In) SCL: 1/1 SH: 1 OF 2

E. Mounting Footprint;

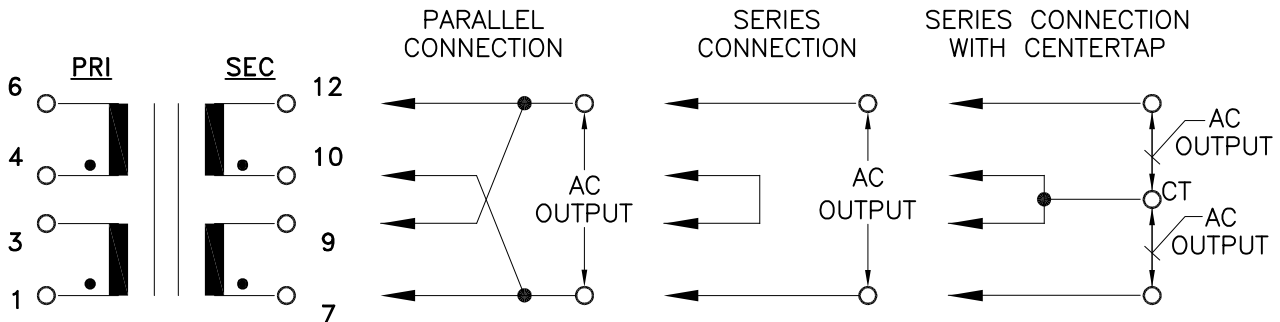


F. Schematic Diagram:

**PRIMARY INPUT CONNECTIONS**



**SECONDARY OUTPUT CONNECTIONS**



G. Table A:

PART NO.	PARALLEL CONNECTION		SERIES CONNECTION		SERIES WITH CT		OUTPUT	SECONDARY FUSE REQ'D EACH WINDING
	AC VOLTS	RMS AMPS	AC VOLTS	RMS AMPS	AC VOLTS	RMS AMPS		
PL10-10-130B	5.0	2.00	10.0	1.00	5.0-CT-5.0	1.00	2X5.0V	T 1.00A
PL10-12-130B	6.3	1.60	12.6	0.80	6.3-CT-6.3	0.80	2X6.3V	T 0.80A
PL10-16-130B	8.0	1.25	16.0	0.62	8.0-CT-8.0	0.62	2X8.0V	T 0.63A
PL10-20-130B	10.0	1.00	20.0	0.50	10.0-CT-10.0	0.50	2X10.0V	T 0.50A
PL10-24-130B	12.0	0.84	24.0	0.42	12.0-CT-12.0	0.42	2X12.0V	T 0.50A
PL10-28-130B	14.0	0.72	28.0	0.36	14.0-CT-14.0	0.36	2X14.0V	T 0.40A
PL10-36-130B	18.0	0.56	36.0	0.28	18.0-CT-18.0	0.28	2X18.0V	T 0.315A

PREPARED BY:

**C. Poppe**

ENGINEER:

**Mathi Pitchai**

SAFETY ENGINEER:

**B. Oconnel**

APPROVED:

**Peter Brune**

DWG CONTROL NO. P-A1-12227  
ACAD\MXFMR\A1112272.DWG

REV E  
POWER TRANSFORMER

**TAMURA CORPORATION OF AMERICA**  
43352 BUSINESS PARK DRIVE, TEMECULA, CA. 92590-6624  
(951) 699-1270 FAX 9516769482

**PL10-XX-130B**  
MODEL SPECIFICATION  
DIM: mm(In) SCL: 1/1 SH: 2 OF 2

PROPRIETARY NOTICE: THIS DRAWING PRINT OR DOCUMENT AND SUBJECT MATTER DISCLOSED HEREIN ARE PROPRIETARY ITEMS TO WHICH TAMURA RETAINS THE EXCLUSIVE RIGHT OF DISSEMINATION, REPRODUCTION, MANUFACTURE AND SALE. THIS DRAWING, PRINT OR DOCUMENT IS SUBMITTED IN CONFIDENCE FOR CONSIDERATION BY THE RECIPIENT ALONE UNLESS PERMISSION FOR FURTHER DISCLOSURE IS EXPRESSLY GRANTED IN WRITING.