

REV. Status

REVISION –  
8/31/99 TS

International Power Transformer

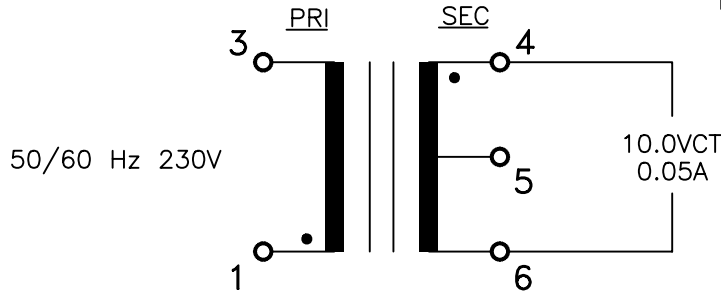
A. Electrical Specifications (@ 25 ° C)

1. Input voltage: 50/60Hz 230V
2. Output voltage: AC 10.0V±5% @ 0.05A load
3. Output voltage regulation:  
25% MAX input 50/60Hz 230V @ full load to no load
4. Existing current: 15mA MAX @ input 230V 50Hz
5. Temperature Rise: 35 ° C MAX
6. Insulation Resistance:  
DC 500V 100MΩ MIN Pri to Sec, Pri to Core, Sec to Core
7. Hi-Pot: AC 4KVrms 1 minute Pri to Sec, Pri to Core  
AC 500Vrms 1 minute Sec to Core

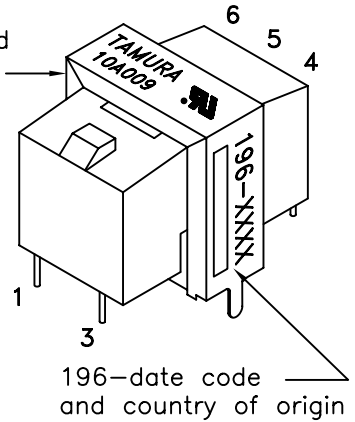
B. Marking: 10A009, TAMURA, PW28-10-230, MICROTRAN, 196-date code, and country of origin

C. Safety: UL1411 Class A File No. E98949

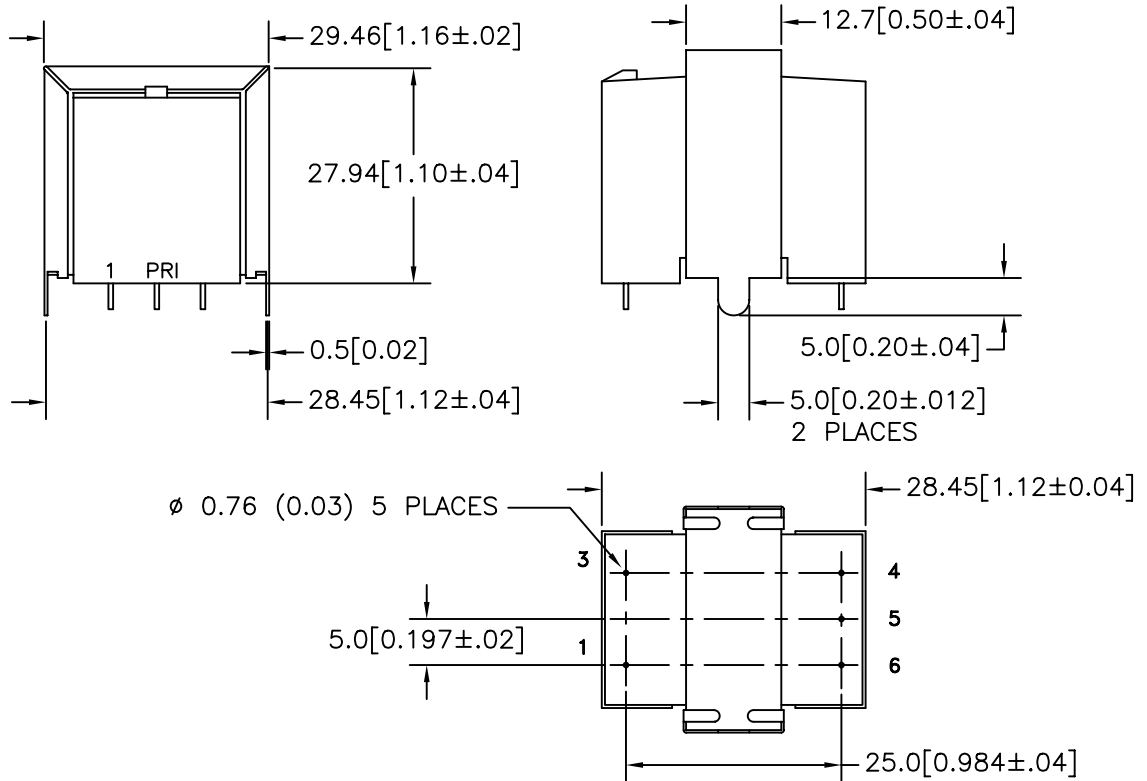
D. Schematic Diagram



MICROTRAN and  
PW28-10-230



E. Mechanical Specifications



PREPARED BY:

D. Rund  
ENGINEER:

T. Shiozawa  
QUALITY CONTROL:

D. Kelley  
APPROVED:

D. Kelley

DWG CONTROL NO. P-A1-12218 ACAD\MXFMR\A1122181.DWG	REV -	POWER TRANSFORMER 10A009	10A009 MODEL SPECIFICATION		
CONTENTS OF THIS DRAWING ARE SUBJECT TO CHANGE WITHOUT PRIOR NOTICE		<b>TAMURA CORPORATION OF AMERICA</b> 43352 BUSINESS PARK DRIVE, TEMECULA, CA. 92590-6624 (909) 699-1270 FAX 9096769482			
PROPRIETARY NOTICE: THIS DRAWING PRINT OR DOCUMENT AND SUBJECT MATTER DISCLOSED HEREIN ARE PROPRIETARY ITEMS TO WHICH TAMURA RETAINS THE EXCLUSIVE RIGHT OF DISSEMINATION, REPRODUCTION, MANUFACTURE AND SALE. THIS DRAWING, PRINT OR DOCUMENT IS SUBMITTED IN CONFIDENCE FOR CONSIDERATION BY THE RECIPIENT ALONE UNLESS PERMISSION FOR FURTHER DISCLOSURE IS EXPRESSLY GRANTED IN WRITING.					

MODEL NUMBER  
**10A009**