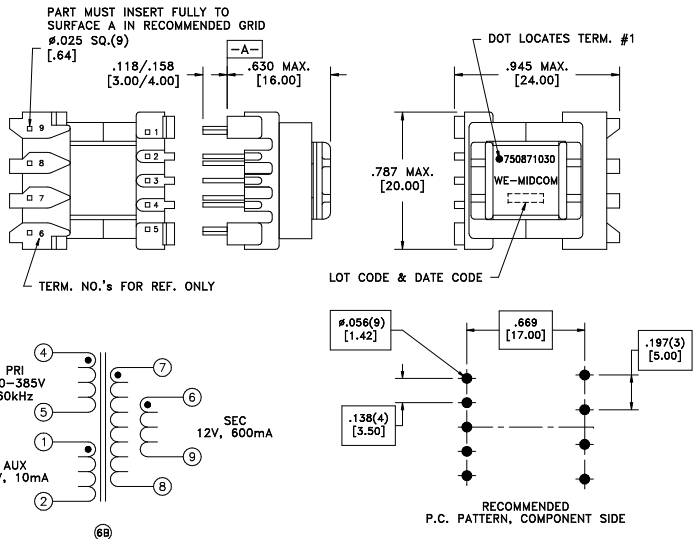


CUSTOMER TERMINAL	RoHS	LEAD(Pb)-FREE
Sn96%, Ag4%	Yes	Yes

more than you expect



ELECTRICAL SPECIFICATIONS @ 25°C unless otherwise noted:

PARAMETER	TEST CONDITIONS	VALUE
D.C. RESISTANCE	1-2 @20°C	1.00 ohms max.
D.C. RESISTANCE	4-5 @20°C	8.45 ohms max.
D.C. RESISTANCE	6-9 @20°C	0.160 ohms max.
D.C. RESISTANCE	7-8 @20°C	0.21 ohms max.
INDUCTANCE	4-5 10kHz, 100mVAC, Ls	2.38mH $\pm$ 10%
LEAKAGE INDUCTANCE	4-5 tie(1+2, 6+7+8+9), 100kHz, 100mVAC, Ls	50uH max.
DIELECTRIC	4-6 tie(1+5, 6+7), 5000VAC, 1 second	4000VAC, 1 minute
DIELECTRIC	1-4 1875VAC, 1 second	1500VAC, 1 minute
URNS RATIO	(4-5):(6-9)	9.555:1, $\pm$ 1%
URNS RATIO	(4-5):(7-8)	9.555:1, $\pm$ 1%
URNS RATIO	(4-5):(1-2)	9.555:1, $\pm$ 1%

GENERAL SPECIFICATIONS:  
 OPERATING TEMPERATURE RANGE: -40°C to +125°C.

REV.	DATE	Packaging Specifications Method: Tray PKG-0058 www.midcom-inc.com		Tolerances unless otherwise specified: Angles: $\pm$ 1° Fractions: $\pm$ 1/64 Decimals: $\pm$ .005 [.13] Footprint: $\pm$ .005 [.13]	DRAWING TITLE <b>TRANSFORMER</b>	PART NO. <b>750871030</b>
6B	1/09			This drawing is dual dimensioned. Dimensions in brackets are in millimeters.	eISos p/n: 750871030	SPECIFICATION SHEET 1 OF 1
6A	10/08	SEE REVISION SHEET FOR REVISION LEVEL				

