



Enclosed Medical Isolation Transformers

Acme Electric now offers a line of fully enclosed medical isolation transformers, featuring Amveco Toroidal Power technology. For medical grade applications, these units provide additional safety and protection. When using electronic devices in a medical environment, these medical grade transformers will bring the equipment into compliance with the UL 60601 medical safety standard. The transformers operate at 120V 60Hz input with 120V output. They have built in RFI filtering and in-rush current limiting. The transformer design utilizes toroidal transformer technology which offers light weight, high efficiency, quiet operation, cool overall temperature, and low stray magnetic field.

The transformers are intended for use by either medical OEM manufacturers looking for stand alone medical transformer protection or hospitals needing to isolate their electronic equipment from the power source.

FEATURES & BENEFITS

- Fully enclosed medical grade isolation transformers housed in white aluminum enclosure
- Designed for North American 120V 60Hz input operation
- UL listed to UL 60601-1 and c-UL listed to CSA C22.2 No.60601
- High efficiency toroidal transformer design yielding overall compact size and low weight
- Low leakage design. Less than 100 μ A leakage current
- Built in filtering with RFI interference and inrush protection
- Surge suppression
- 10 ft hospital grade power cord
- Duplex hospital grade receptacles
- On/Off circuit breaker
- Floor standing or wall mount
- Custom designs available for higher volume requests

APPLICATIONS

Hospitals

Medical Facilities

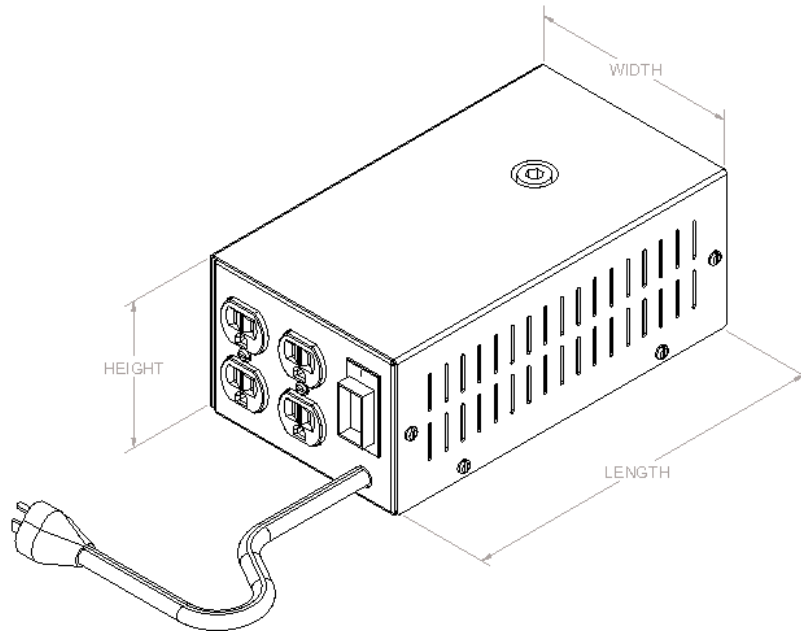
OEM Manufacturers

Technical Specifications

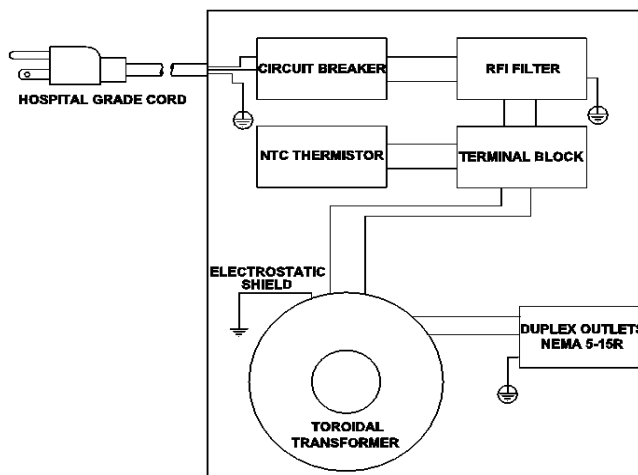
ENCLOSED MEDICAL ISOLATION TRANSFORMERS
 120 VOLT PRIMARY — 120 SECONDARY VOLT — 60 Hz

VA	CATALOG NUMBER	APPROX. DIMENSIONS Inches (Cm.)			LOAD REGULATION	APPROX. SHIP WEIGHT Lbs. (kg.)	NEMA PLUG	HOSP. GRADE DUPLEX OUTLETS
		WIDTH	HEIGHT	LENGTH				
300	AS30327	5.63 (14.3)	4.13 (10.5)	10.00 (25.4)	4.5%	10 (4.5)	5-15P	(2) 5-15R
600	AS30328	7.13 (18.1)	4.13 (10.5)	12.50 (31.7)	2.9%	17 (7.7)	5-15P	(3) 5-15R
900	AS30329	7.13 (18.1)	4.13 (10.5)	12.50 (31.7)	1.5%	26 (11.8)	5-15P	(4) 5-15R
1200	AS30330	9.13 (23.2)	4.13 (10.5)	14.00 (35.6)	1.4%	32 (14.5)	5-15P	(4) 5-15R
1800	AS30331	9.13 (23.2)	4.13 (10.5)	14.00 (35.6)	1.7%	37 (16.8)	5-20P	(4) 5-20R

Dimensional Diagram



Block Diagram



ACME ELECTRIC

Amveco, an Acme Electric Brand

www.amveco.com • 800-527-7042 • www.acmepower.net

(C) 2009 Acme Electric. All rights reserved.

AMV-253-0409