

# AC1020 • 20 Amp Current Transformer

## Low Cost 50/60Hz Current Transformers

### Applications

- Sensing Overload Current
- Ground fault detection
- Metering
- Analog to Digital Circuits

### Electrical Specifications @ 20°C ambient

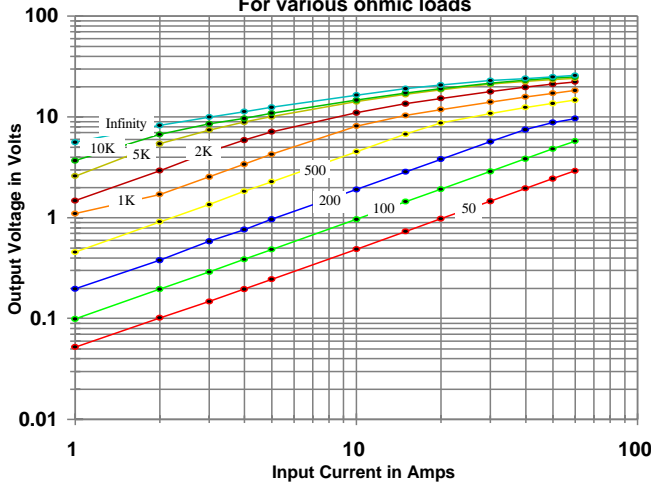
| Electrical Specifications                  |                                             |
|--------------------------------------------|---------------------------------------------|
| Primary Current                            | 20A nom., 60 A max.                         |
| Turns Ratio                                | 1000:1 nominal                              |
| Volt per Amp Ratio at 20A for 100 ohm load | 0.100 V/A                                   |
| Volt per Amp Ratio at 2A for 100 ohm load  | 0.097 V/A                                   |
| DC Resistance at 20°C                      | 41.8 ohms                                   |
| Dielectric Withstanding Voltage (Hi-pot)   | 4KVrms                                      |
| Mechanical Specifications                  |                                             |
| Case                                       | Polycarbonate                               |
| Encapsulant                                | Epoxy                                       |
| Flammability                               | Conforms to UL94-V0                         |
| Terminals                                  | Pins Ø 0.80mm                               |
| Marking                                    | Date Code (W/Y)<br>AC1020, Dot at start pin |
| Approximate Weight                         | 16.3 grams                                  |
| Tolerance                                  | ±0.2mm                                      |



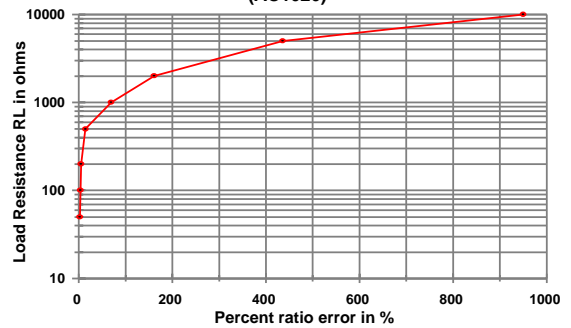
### Environmental Specifications

|                       |                  |
|-----------------------|------------------|
| Storage Temperature   | -55° to +130°C   |
| Insulation Resistance | 100 megohms min. |

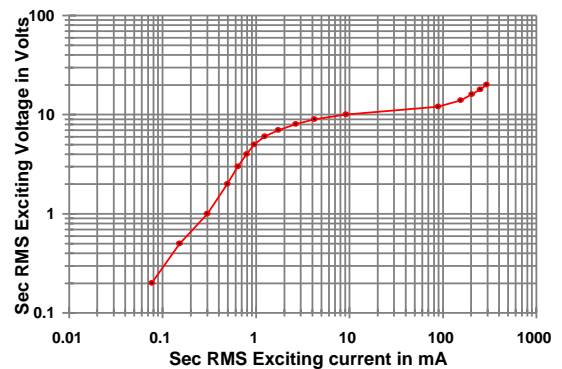
Output Volts vs Input Current  
For various ohmic loads



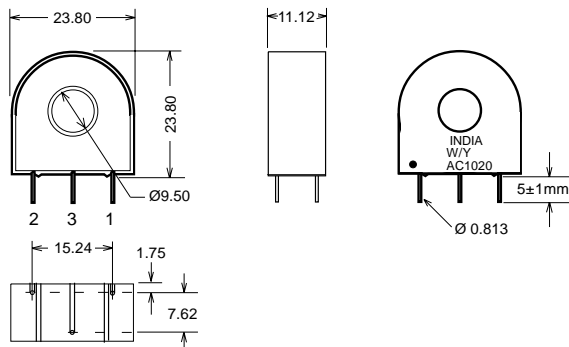
%RE vs RL at Rated primary current  
(AC1020)



Typical Excitation Curve  
(AC1005-AC1020)

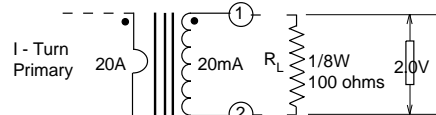


### Dimensions



### Notes:

- 1) Unless requested, the terminating resistor and the one-turn primary are not supplied
- 2) Pin 3: Normally for mechanical support only but will be used on center tapped designs



Amveco Magnetics, Inc., 11222 Richmond Avenue, Suite 120, Houston, TX 77082 - (800) 527-7042  
<http://www.amveco.com>

CT's ACCatalog 05-00