

SMT CURRENT SENSE TRANSFORMERS

PB002XNL Series



- Height:** 10.2mm Max
- Footprint:** 19.9mm x 14.5mm Max
- Current Rating:** up to 35A
- Frequency Range:** 50kHz to 500kHz

Electrical Specifications @ 25°C — Operating Temperature -40°C to +130°C

Part ^{5,6} Number	Turns Ratio	Secondary Inductance (mH MIN)	DCR (mΩ MAX)		Hipot (V _{RMS})
			Primary (11-12)	Secondary (2-4)	
PB0025NL	50:1	1.4	0.42	700	500
PB0026NL	100:1	5.6	0.42	1400	500
PB0027NL	200:1	22.4	0.42	2900	500

NOTES:

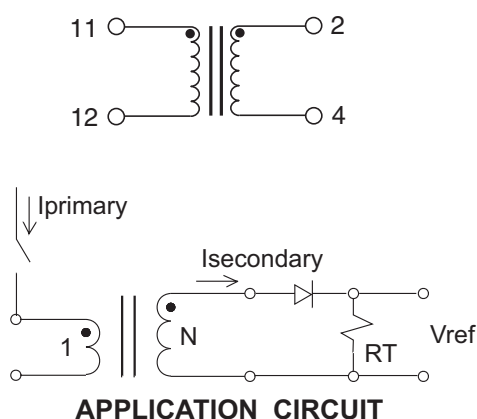
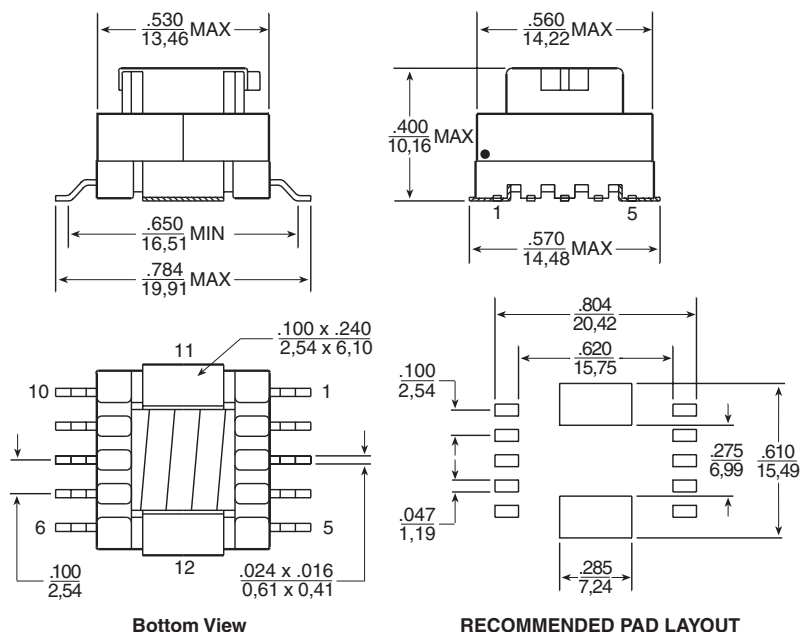
- The temperature of the component (ambient temperature plus temperature rise) must be within the specified operating temperature range.
- The maximum current rating is based upon temperature rise of the component and represents the DC current which will cause a typical temperature rise of 40°C with no airflow.
- To calculate the value of the terminating resistor (Rt) use the following formula: $R_t (\Omega) = V_{REF} * N / (I_{peak_primary})$
- The peak flux density of the device must remain below 2000 Gauss. To calculate the peak flux density for a uni-polar current use the following formula:

$$B_{PK} = 8.0 * V_{REF} * (Duty_Cycle_Max) * 10^5 / (N * Freq_kHz)$$

- * for bi-polar current applications divide B_{PK} as calculated above by 2.
- 5. Optional Tape & Reel packaging can be ordered by adding a "T" suffix to the part number (i.e. PB0025NL becomes PB0025NLT). Pulse complies to industry standard tape and reel specification EIA481.
- 6. The "NL" suffix indicates an RoHS-compliant part number. Non-NL suffixed parts are not necessarily RoHS compliant, but are electrically and mechanically equivalent to NL versions. If a part number does not have the "NL" suffix, but an RoHS compliant version is required, please contact Pulse for availability.

Mechanical

Schematic



Weight 4.7 grams
 Tray 100/tray
 Tape & Reel 300/reel
 Coplanarity 0.006 inches

Dimensions: $\frac{\text{Inches}}{\text{mm}}$
 Unless otherwise specified, all tolerances are $\pm \frac{.010}{0,25}$