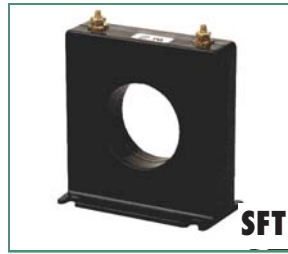


# Commercial & Metering Class Current Transformers



**RL**



**SFT**



**SFL**



**SHT**



**SHL**



**RT**



**RBT**



**RBL**

The CR Magnetics line of Instrumentation Grade Electrical Current Transformers are available in either Commercial or ANSI Metering Class. The Commercial Class transformers are lower cost and well-suited for current monitoring applications. The ANSI Metering Class transformers are higher-cost units intended for power monitoring applications where high accuracy and minimum phase angle error are required. Twelve different window openings and eight different mounting styles along with numerous secondary ratios are available to meet most applications. This short form catalog shows an overview of our most popular 5 amp secondary transformers. Contact factory for different sizes or unique electrical requirements.

## Applications

Ammeters  
Energy Measurement  
Watt/VAR/Watthour Measurement  
Current Sensing Relays

## Features

Low Cost  
Core Secured via Epoxy Resin  
Hand Tuned Accuracy  
Common Ratios in Stock

## Regulatory Agencies



## BASIC SPECIFICATIONS

Basic Accuracy	10% FS or Better (ANSI)
Thermal Drift	100 PPM/°C
Operating Temperature	-20° C to +75° C
Installation Category	CAT II
Pollution Degree	2
Insulation Voltage	2500 VDC
Frequency Range	44Hz - 3000KHz

## CUSTOM OPTIONS

Ultra-Low Frequency to 20 Hz
Water Proof
1.0,0.2,and0.1 Amp Secondary Ratios



Another HUNTINGTON ELECTRIC Company

CR Magnetics, Inc. 3500 Scarlet Oak Blvd. St. Louis MO USA 63122 V: 636-343-8518 F: 636-343-5119

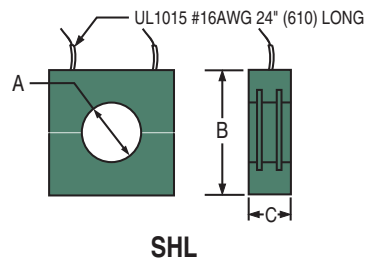
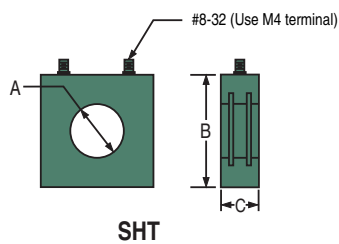
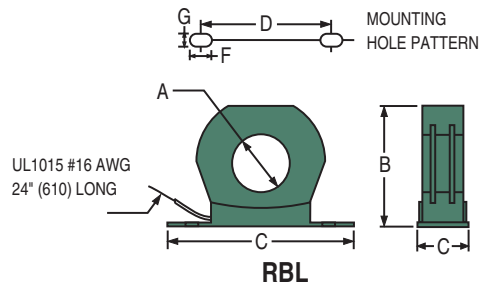
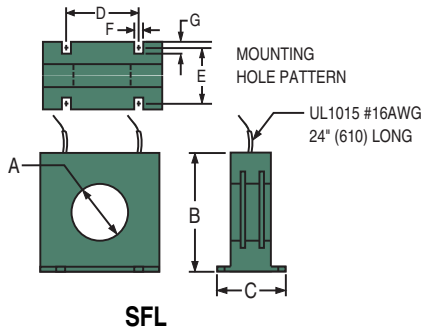
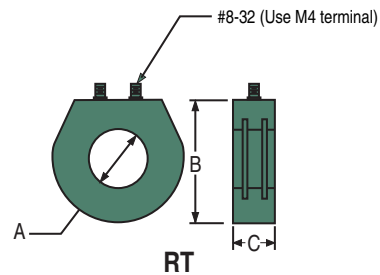
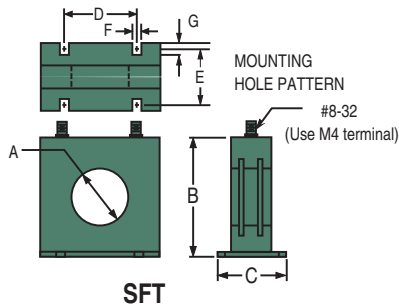
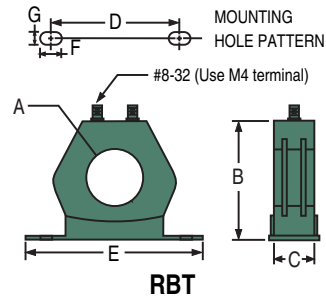
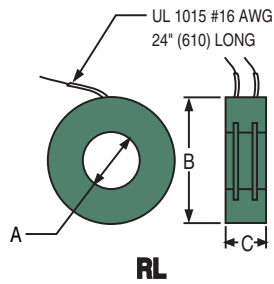
Web: <http://www.crmagnetics.com>

# Commercial & ANSI Metering Class Current Transformers

## DIMENSIONS

Current Transformers

G



Another HUNTINGTON ELECTRIC Company

CR Magnetics, Inc. 3500 Scarlet Oak Blvd. St. Louis MO USA 63122 V: 636-343-8518 F: 636-343-5119

Web: <http://www.crmagnetics.com>

E-mail: [sales@crmagnetics.com](mailto:sales@crmagnetics.com)

# Commercial Class Current Transformers

Current Transformers

G

PART NUMBERS			DIMENSIONS							ACCURACY SPECIFICATIONS						
SERIES	STYLE	RATIO SUFFIX	A	B	C	D	E	F	G	CURRENT RATIO	ACCURACY AT 60HZ	BURDEN VA AT 60 HZ				
CR2	RL	500	1.13 (28.7)	2.46 (62.5)	1.05 (26.7)					50:5	± 3%	2.0				
		600								60:5	± 2%	2.0				
		750								75:5	± 2%	2.0				
	SFT	800		2.68 (68.1)	2.00 (50.8)					1.75 (44.5)	1.60 (40.6)	.27 (6.9)	.31 (7.9)	80:5	± 2%	2.0
		101		2.68 (68.1)	2.00 (50.8)					1.75 (44.5)	1.60 (40.6)	.27 (6.9)	.31 (7.9)	100:5	± 1%	2.0
		121												120:5	± 1%	2.5
	1250	125:5												± 1%	2.5	
	SHT	151		2.71 (68.8)	0.95 (24.1)									150:5	± 1%	4.0
		201		2.71 (68.8)	0.95 (24.1)									200:5	± 1%	4.0
	SHL	251														250:5
301		300:5	± 1%	8.0												
CR5	RL	500	1.56 (39.6)	3.56 (90.4)	1.10 (27.9)					50:5	± 2%	1.0				
		750		75:5	± 2%					1.5						
	SFT	101		3.78 (96.0)	2.15 (54.6)					2.75 (69.9)	1.77 (45.0)	.21 (5.3)	.31 (7.9)	100:5	± 2%	2.0
		151		3.78 (96.0)	2.15 (54.6)					2.75 (69.9)	1.77 (45.0)	.21 (5.3)	.31 (7.9)	150:5	± 1%	5.0
	201	200:5												± 1%	5.0	
	SHT	251		3.83 (97.3)	1.09 (27.7)									250:5	± 1%	10.0
		301												300:5	± 1%	12.5
	SHL	401		3.83 (97.3)	1.09 (27.7)									400:5	± 1%	12.5
		501												500:5	± 1%	20.0
	RT	601		3.62 (91.9)	1.13 (28.7)									600:5	± 1%	25.0
		751		3.90 (99.1)	1.25 (31.8)									3.88 (98.6)		.44 (11.2)
	RBT*	801								3.90 (99.1)	1.25 (31.8)	3.88 (98.6)				
		102		3.70 (94.0)	1.25 (31.8)					3.88 (98.6)		.44 (11.2)		.27 (6.9)	1000:5	± 1%
RBL*	122	3.70 (94.0)	1.25 (31.8)			3.88 (98.6)		.44 (11.2)	.27 (6.9)				1200:5		± 1%	30.0
	CR7	RL	101	2.50 (63.5)	4.70 (119.4)	1.10 (27.4)								100:5	± 2%	2.5
151			150:5		± 1%	5.0										
SFT		201	4.85 (123.2)		2.13 (54.1)	3.78 (96.0)	1.75 (44.5)	.25 (6.4)	.31 (7.9)					200:5	± 1%	5.0
		251	4.85 (123.2)		2.13 (54.1)	3.78 (96.0)	1.75 (44.5)	.25 (6.4)	.31 (7.9)					250:5	± 1%	5.0
301		300:5												± 1%	12	
SHT		401	4.70 (119.4)		1.10 (27.9)									400:5	± 1%	15
		501												500:5	± 1%	25
SHL		601	4.70 (119.4)		1.10 (27.9)									600:5	± 1%	30
		751												750:5	± 1%	30
RT		801	4.61 (117.1)		1.10 (27.9)									800:5	± 1%	35
		102	4.94 (125.5)		1.25 (31.8)									5.75 (146.1)	6.5 (7.1)	.28 (7.1)
RBT		122				4.94 (125.5)	1.25 (31.8)	5.75 (146.1)	6.5 (7.1)							
		RBL	152		4.70 (125.5)	1.25 (31.8)	5.75 (146.1)	6.5 (7.1)	.28 (7.1)					.28 (7.1)	1500:5	± 1%
162	1600:5		± 1%	40												



Another HUNTINGTON ELECTRIC Company

CR Magnetics, Inc. 3500 Scarlet Oak Blvd. St. Louis MO USA 63122 V: 636-343-8518 F: 636-343-5119

Web: <http://www.crmagnetics.com>

E-mail: [sales@crmagnetics.com](mailto:sales@crmagnetics.com)

# Commercial Class Current Transformers

Current Transformers

G

PART NUMBERS			DIMENSIONS							ACCURACY SPECIFICATIONS			
SERIES	STYLE	RATIO SUFFIX	A	B	C	D	E	F	G	CURRENT RATIO	ACCURACY AT 60HZ	BURDEN VA AT 60 HZ	
CR56	RL	500	2.06 (52.3)	3.50 (88.9)	1.09 (27.7)	2.70 (68.6)	1.70 (43.2)	.21 (5.3)	.31 (7.9)	50:5	± 3%	2.0	
		750									75:5	± 1%	0.5
	SFT	101									100:5	± 1%	1.0
		151		3.63 (92.2)	2.15 (54.6)	2.70 (68.6)	1.70 (43.2)	.21 (5.3)	.31 (7.9)	150:5	± 1%	2.5	
	SFL	201									200:5	± 1%	4.0
		251		3.63 (92.2)	2.15 (54.6)						250:5	± 1%	6.0
	RT	301									300:5	± 1%	7.5
		401		3.62 (91.9)	1.10 (27.9)						400:5	± 1%	10.0
	RBT	501									500:5	± 1%	12.5
		601									600:5	± 1%	15.0
	RBL	751		3.90 (99.1)	1.25 (31.8)	3.88 (98.6)	4.50 (114.3)	.27 (6.9)	.44 (11.2)	750:5	± 1%	7.0	
		801								800:5	± 1%	8.0	
				102	3.70 (94.0)	1.25 (31.8)	3.88 (98.6)	4.50 (114.3)	.27 (6.9)	.44 (11.2)	1000:5	± 1%	10.0
				122							1200:5	± 1%	12.5
CR76	RL	201	3.00 (76.2)	4.50 (114.3)	1.09 (27.7)					200:5	± 1%	5.0	
		251								250:5	± 1%	5.0	
	SFT	301		4.68 (128.9)	2.08 (52.8)	3.70 (44.0)	1.75 (44.5)	.25 (6.4)	.31 (7.9)	300:5	± 1%	6.0	
		401								400:5	± 1%	10.0	
	SFL	501								500:5	± 1%	10.0	
		601		4.68 (118.9)	2.08 (52.8)	3.70 (44.0)	1.75 (44.5)	.25 (6.4)	.31 (7.9)	600:5	± 1%	10.0	
	RT	751								750:5	± 1%	10.0	
		801		4.62 (117.3)	1.10 (27.9)					800:5	± 1%	12.5	
	RBT	102								1000:5	± 1%	10.0	
		122		4.94 (125.5)	1.25 (31.8)	5.75 (146.1)	6.50 (165.1)	.28 (7.1)	.28 (7.1)	1200:5	± 1%	10.0	
	RBL	152								1500:5	± 1%	12.5	
		162								1600:5	± 1%	12.5	
				202	4.70 (119.4)	1.25 (31.8)	5.75 (146.1)	6.50 (165.1)	.28 (7.1)	.28 (7.1)	2000:5	± 1%	15.0
	CR1A	RL		500	.64 (16.3)	1.99 (31.8)	1.25 (31.8)					50:5	± 2%
600			60:5	± 1%								2.0	
750			75:5	± 1%								2.0	
800			80:5	± 1%								2.0	
101			100:5	± 1%								2.5	
121			120:5	± 1%								3.0	
1250			125:5	± 1%								3.0	
151			150:5	± 1%								4.0	
201			200:5	± 1%								5.0	
251			250:5	± 1%								7.5	



Another HUNTINGTON ELECTRIC Company

CR Magnetics, Inc. 3500 Scarlet Oak Blvd. St. Louis MO USA 63122 V: 636-343-8518 F: 636-343-5119

Web: <http://www.crmagnetics.com>

E-mail: [sales@crmagnetics.com](mailto:sales@crmagnetics.com)

# ANSI Metering Class Current Transformers

Current Transformers

G

PART NUMBERS			DIMENSIONS							ANSI METERING CLASS @ 60 HZ					
SERIES	STYLE	RATIO SUFFIX	A	B	C	D	E	F	G	CURRENT RATIO	BO.1	BO.2	BO.5	BO.9	B1.8
CR2DA	RL	500	1.0 (25.4)	2.47 (62.7)	1.75 (44.5)					50:5	2.4	-	-	-	-
		600								60:5	2.4	-	-	-	-
		750								75:5	2.4	2.4	-	-	-
		800								80:5	1.2	2.4	-	-	-
		101								100:5	1.2	1.2	-	-	-
		121								120:5	1.2	1.2	-	-	-
		1250								125:5	0.6	1.2	-	-	-
		151								150:5	0.6	1.2	2.4	-	-
		201								200:5	0.3	0.6	1.2	-	-
		251								250:5	0.3	0.6	1.2	-	-
		301								300:5	0.3	0.3	0.6	1.2	-
CR5A	RL	500	1.56 (39.6)	3.56 (90.4)	1.10 (27.9)					50:5					
		101								100:5	1.2	-	-	-	-
		151								150:5	1.2	1.2	-	-	-
	SFT	201		200:5	0.6					0.6	-	-	-		
		251		250:5	0.6					0.6	1.2	-	-		
		301		300:5	0.3					0.3	1.2	-	-		
	SFL	401		400:5	0.3					0.3	0.6	1.2	-		
		501		500:5	0.3					0.3	0.6	1.2	-		
		SHT		601	600:5					0.3	0.3	0.6	0.6	1.2	
	751			750:5	0.3					0.3	0.6	0.6	-		
	801			800:5	0.3					0.3	0.6	0.6	-		
	SHL	102		1000:5	0.3					0.3	0.3	0.6	-		
		122		1200:5	0.3					0.3	0.3	0.3	0.6		
CR6A	RL	101	2.06 (52.3)	4.08 (103.6)	1.10 (27.9)					100:5	2.4	-	-	-	-
		151								150:5	1.2	1.2	-	-	-
		201								200:5	0.6	1.2	-	-	-
	SFT	251		250:5	0.3					0.6	2.4	-	-		
		301		300:5	0.3					0.6	1.2	2.4	-		
		401		400:5	0.3					0.3	0.6	1.2	-		
	SFL	501		500:5	0.3					0.3	0.6	1.2	-		
		601		600:5	0.3					0.3	0.6	0.6	1.2		
		751		750:5	0.3					0.3	0.6	0.6	-		
	SHT	801		800:5	0.3					0.3	0.6	0.6	-		
		102		1000:5	0.3					0.3	0.3	0.6	-		
		SHL		122	1200:5					0.3	0.3	0.3	0.3	0.6	
	152			1500:5	0.3					0.3	0.3	0.3	0.6		



Another HUNTINGTON ELECTRIC Company

CR Magnetics, Inc. 3500 Scarlet Oak Blvd. St. Louis MO USA 63122 V: 636-343-8518 F: 636-343-5119

Web: <http://www.crmagnetics.com>

E-mail: [sales@crmagnetics.com](mailto:sales@crmagnetics.com)

# ANSI Metering Class Current Transformers

Current Transformers

G

PART NUMBERS			DIMENSIONS							ANSI METERING CLASS @ 60 HZ										
SERIES	STYLE	RATIO SUFFIX	A	B	C	D	E	F	G	CURRENT RATIO	B0.1	B0.2	B0.5	B0.9	B1.8					
<b>CR7A</b>	<b>RL</b>	101	2.50 (63.5)	4.70 (119.4)	1.10 (27.9)					100:5	2.4	-	-	-	-					
		151		150:5	1.2					2.4	-	-	-							
		201		200:5	0.6					1.2	-	-	-							
	<b>SFT</b>	251		4.85 (123.2)	2.13 (54.1)					3.78 (96.0)	1.75 (44.5)	.25 (6.4)	.31 (7.9)	250:5	0.6	1.2	1.2	-	-	
		301		300:5	0.6					0.6	1.2	2.4	-							
		401		400:5	0.3					0.3	0.6	1.2	-							
	<b>SFL</b>	501		4.85 (123.2)	2.13 (54.1)					3.78 (96.0)	1.75 (44.5)	.25 (6.4)	.31 (7.9)	500:5	0.3	0.3	0.6	1.2	-	
		601		600:5	0.3					0.3	0.6	0.6	1.2							
		751		750:5	0.3					0.3	0.6	0.6	1.2							
	<b>SHT</b>	801		4.70 (119.4)	1.10 (27.9)										800:5	0.3	0.3	0.3	0.6	1.2
		102		1000:5	0.3										0.3	0.3	0.6	0.6		
		122		1200:5	0.3										0.3	0.3	0.3	0.6		
	<b>SHL</b>	152		4.70 (119.4)	1.10 (27.9)										1500:5	0.3	0.3	0.3	0.3	0.6
		162		1600:5	0.3										0.3	0.3	0.3	0.6		
	<b>CR8</b>	<b>RL</b>		201	3.25 (82.6)					5.73 (145.5)	1.15 (29.2)					200:5	1.2	1.2	-	-
251			250:5	0.6		1.2	2.4	-	-											
301			300:5	0.6		0.6	1.2	2.4	-											
401			400:5	0.3		0.6	1.2	1.2	-											
501			500:5	0.3		0.3	0.3	1.2	2.4											
601			600:5	0.3		0.3	0.3	1.2	1.2											
751			750:5	0.3		0.3	0.3	0.6	1.2											
<b>SHT</b>		801	5.73 (145.5)	1.15 (29.2)							800:5					0.3	0.3	0.3	0.6	1.2
		102	1000:5	0.3							0.3					0.3	0.6	0.6		
		122	1200:5	0.3							0.3					0.3	0.6	0.6		
		152	1500:5	0.3							0.3					0.3	0.6	0.6		
		162	1600:5	0.3							0.3					0.3	0.6	0.6		
		202	2000:5	0.3							0.3					0.3	0.3	0.3		
		252	2500:5	0.3							0.3					0.3	0.3	-		
<b>SHL</b>		302	3000:5	0.3		0.3	0.3	0.3	-											
	322	3200:5	0.3	0.3	0.3	0.3	-													
	402	4000:5	0.3	0.3	0.3	0.3	-													
<b>CR170</b>	<b>RL</b>	201	4.25 (108)	6.73 (170.9)	1.25 (31.8)					200:5	1.2	1.2	-	-	-					
		251		250:5	1.2					1.2	-	-	-							
		301		300:5	0.6					0.6	1.2	2.4	-							
		401		400:5	0.6					0.6	1.2	1.2	2.4							
		501		500:5	0.3					0.3	0.6	1.2	2.4							
		601		600:5	0.3					0.3	0.6	0.6	1.2							
		751		750:5	0.3					0.3	0.3	0.3	0.6							
	<b>SHT</b>	801		6.73 (170.9)	1.28 (32.5)										800:5	0.3	0.3	0.3	0.3	0.6
		102		1000:5	0.3										0.3	0.3	0.3	0.6		
		122		1200:5	0.3										0.3	0.3	0.3	0.6		
		152		1500:5	0.3										0.3	0.3	0.6	0.6		
		162		1600:5	0.3										0.3	0.3	0.6	0.6		
		202		2000:5	0.3										0.3	0.3	0.3	0.3		
		252		2500:5	0.3										0.3	0.3	0.3	0.3		
	<b>SHL</b>	302		3000:5	0.3					0.3	0.3	0.3	0.3							
322		3200:5	0.3	0.3	0.3	0.3	0.3													
402		4000:5	0.3	0.3	0.3	0.3	0.3													



Another HUNTINGTON ELECTRIC Company

CR Magnetics, Inc. 3500 Scarlet Oak Blvd. St. Louis MO USA 63122 V: 636-343-8518 F: 636-343-5119

Web: <http://www.crmagnetics.com>

E-mail: [sales@crmagnetics.com](mailto:sales@crmagnetics.com)