

AC1150 • 150 Amp Current Transformer

Low Cost 50/60Hz Current Transformers

Applications

- Sensing Overload Current
- Ground fault detection
- Metering
- Analog to Digital Circuits

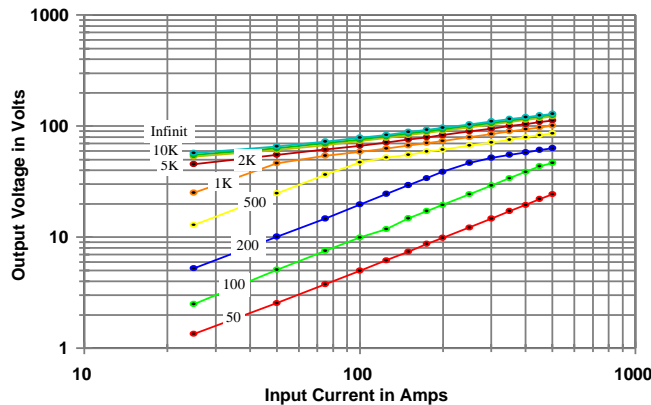
Electrical Specifications @ 20°C ambient

Electrical Specifications	
Primary Current	150A nom., 500A max.
Turns Ratio	1000:1 nominal
Volt per Amp Ratio at 150A for 100 ohm load	0.100 V/A
Volt per Amp Ratio at 15A for 100 ohm load	0.0990 V/A
DC Resistance at 20°C	11 ohms
Dielectric Withstanding Voltage (Hi-pot)	4KVrms
Mechanical Specifications	
Case	Polycarbonate
Encapsulant	Epoxy
Flammability	Conforms to UL94-VO
Terminals	Pins Ø 1.0mm
Marking	Date Code (W/Y) AC1150, Dot at start pin
Approximate Weight	150 grams
Tolerance	±0.2mm

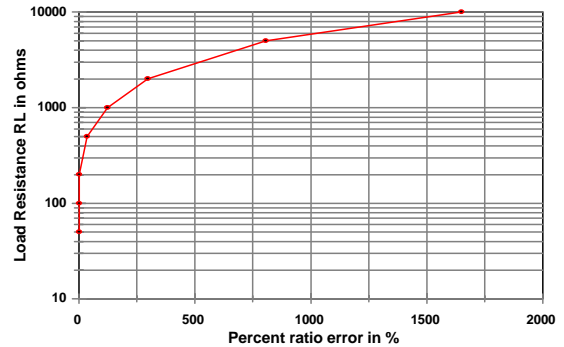


Environmental Specifications	
Storage Temperature	-55° to +130°C
Insulation Resistance	100 megohms min.

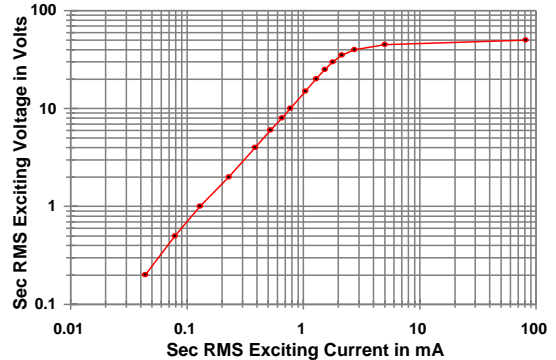
Output Volts vs Input Current
For various ohmic loads



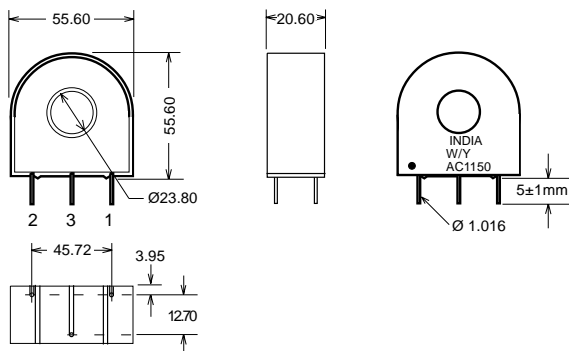
%RE vs RL at Rated primary current
(AC1150)



Typical Excitation Curve
(AC1150~AC1200)

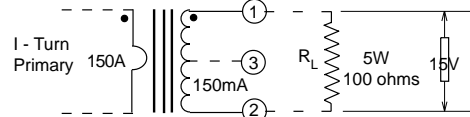


Dimensions



Notes:

- 1) Unless requested, the terminating resistor and the one-turn primary are not supplied
- 2) Pin 3: Normally for mechanical support only but will be used on center tapped designs



Amveco Magnetics, Inc., 11222 Richmond Avenue, Suite 120, Houston, TX 77082 - (800) 527-7042
<http://www.amveco.com>

CT's\AC1150 05-00