

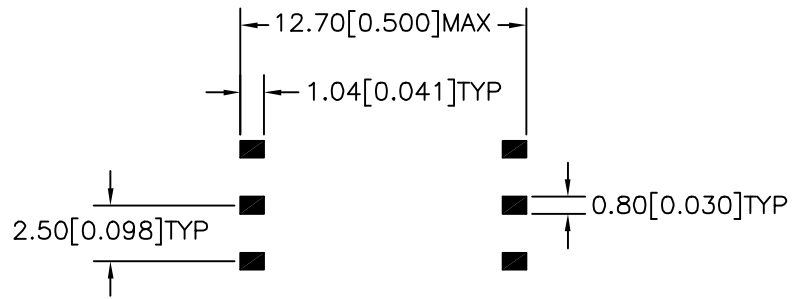
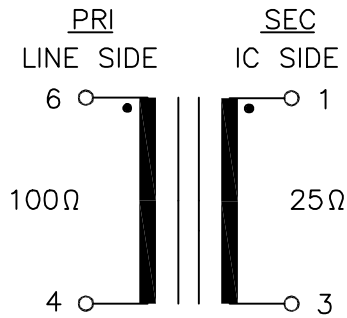
REV. Status
PRELIMINARY
01/07/02 MP

ADSL Transformer

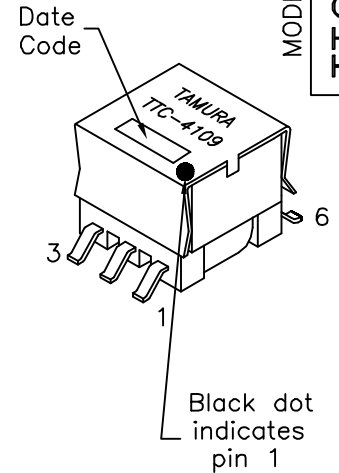
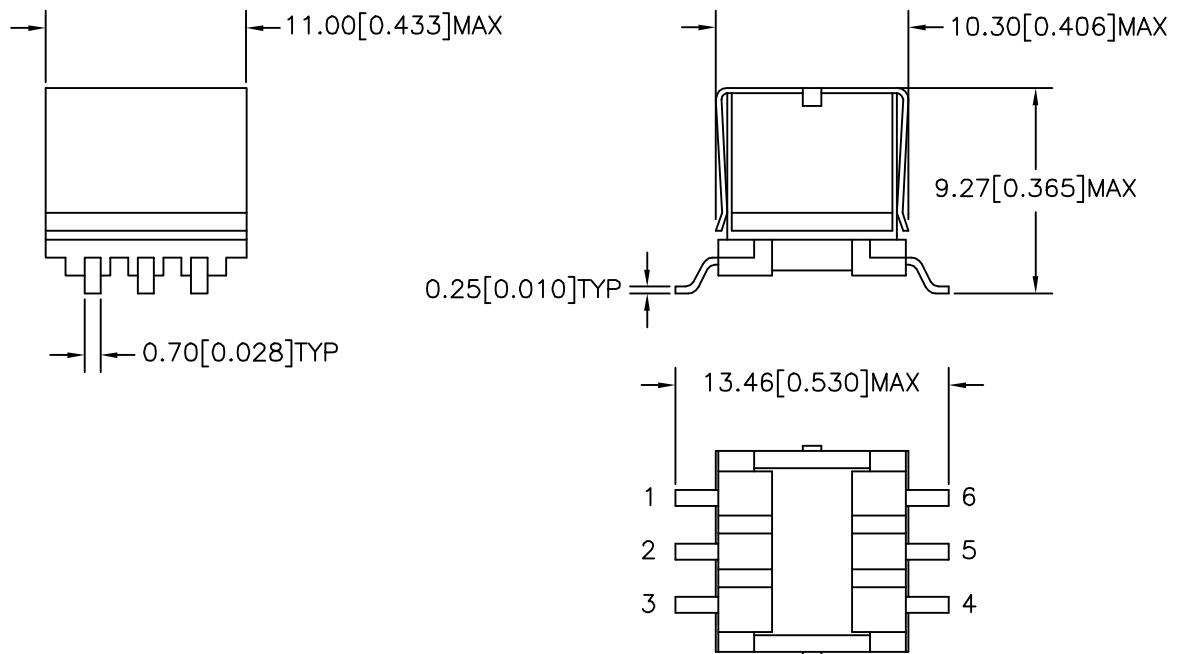
- A. Electrical Specifications (@ 25°C)
1. Primary (Line Side) Impedance; 100Ω
 2. Secondary (IC Side) Impedance; 25Ω
 3. Open Circuit Inductance; 0.53mH ±5% @ 10KHz, 0.1Vrms Measured (6-4)
 4. Leakage Inductance; 15.0μH MAX @ 100KHz, 0.1Vrms Measured (6-4) with 1 & 3 shorted
 5. Interwinding Capacitance; 100pF MAX @ 100KHz, 0.1Vrms Measured (1-6) with 1 & 3 and 6 & 4 shorted
 6. DC Resistance;
 - (1-3) = 0.42Ω ±15%
 - (6-4) = 1.47Ω ±15%
 7. Insertion Loss; 0.50dB MAX @ 100KHz, 0dBm
 8. Total Harmonic Distortion; -70dB MAX @ 50KHz, 2.5Vrms
 9. Turns Ratio; (6-4):(1-3)=2:1.00±2%
 10. Dielectric Strength; 600Vrms 1 second, Pri to Sec

B. Marking; TTC-4109, TAMURA, date code and country of origin

C. Schematic and Mounting Footprint;



D. Mechanical Specifications;



MODEL NUMBER
TTC-4109

PREPARED BY:

D. Rund

ENGINEER:

M. Pitchai

QUALITY CONTROL:

D. Kelley

APPROVED:

J. Coleman

DWG CONTROL NO.
P-A1-12976
ACAD\TTC\A1129761.DWG

REV
PRE

ADSL
TRANSFORMER

TAMURA CORPORATION OF AMERICA
43352 BUSINESS PARK DRIVE, TEMECULA, CA. 92590-6624
(909) 699-1270 FAX 9096769482

TTC-4109

MODEL SPECIFICATION

DIM: mm(in) SCL: 3/1 SH: 1 OF 1

PROPRIETARY NOTICE: THIS DRAWING PRINT OR DOCUMENT AND SUBJECT MATTER DISCLOSED HEREIN ARE PROPRIETARY ITEMS TO WHICH TAMURA RETAINS THE EXCLUSIVE RIGHT OF DISSEMINATION, REPRODUCTION, MANUFACTURE AND SALE. THIS DRAWING, PRINT OR DOCUMENT IS SUBMITTED IN CONFIDENCE FOR CONSIDERATION BY THE RECIPIENT ALONE UNLESS PERMISSION FOR FURTHER DISCLOSURE IS EXPRESSLY GRANTED IN WRITING.