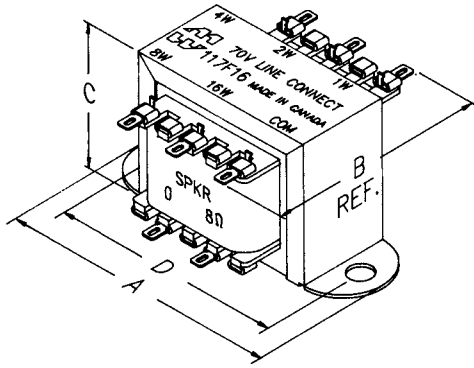


Sound Distribution (117-119 Series)

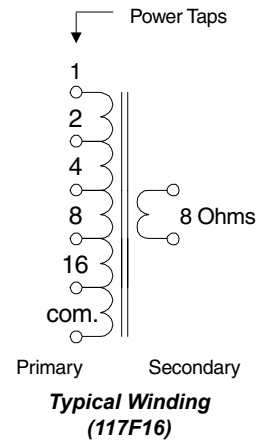
LINE MATCHING AUDIO TRANSFORMERS



- Couple 3.2, 8 or 16 ohm speakers to 25 or 70 volt line outputs of amplifiers.
- Up to 5 power tap levels available (except 117F2 which has 4).
- Primary taps marked in watts (no calculation necessary), to match speaker power.
- Frequency response 100 Hz. to 9 Khz. (1 db. reference @1 Khz.)
- Insertion loss less than 2 db.
- Distortion is less than 1.25% @ 100 Hz. at maximum power.
- Horizontal, channel bracket, 2-hole (.187" dia.) mounting.
- All models have solder lugs, also suitable for slip on jumper connections.
- Total power requirements of speakers should not exceed the rated power of each transformer or rated power of the amplifier.

Audio

Part No.	System Volts	Power Rating Watts	Audio Power Taps	Voice Coil Impedance Ohms	Mounting Centers	Wt. Lbs.	Dimensions (Inches)			
							A	B	C	D
117F2	70	2	2, 1, 1/2, 1/4	8	2.00	0.5	2.38	1.38	1.38	2.00
117E4	70	4	4, 2, 1, 1/2, 1/4	3.2	2.38	0.6	2.81	1.50	1.69	2.38
117F4	70	4	4, 2, 1, 1/2, 1/4	8	2.38	0.6	2.81	1.50	1.69	2.38
117E8	70	8	8, 4, 2, 1, 1/2	3.2	2.81	0.9	3.25	1.75	2.00	2.81
117F8	70	8	8, 4, 2, 1, 1/2	8	2.81	0.9	3.25	1.75	2.00	2.81
117E16	70	16	16, 8, 4, 2, 1	3.2	3.13	1.5	3.69	2.00	2.31	3.13
117F16	70	16	16, 8, 4, 2, 1	8	3.13	1.5	3.69	2.00	2.31	3.13
117G16	70	16	16, 8, 4, 2, 1	16	3.13	1.5	3.69	2.00	2.31	3.13
117F32	70	32	32, 16, 8, 4, 2	8	3.56	2.3	4.03	2.25	2.63	3.56
117J4	25	4	4, 2, 1, 1/2, 1/4	3.2	2.38	0.6	2.81	1.50	1.69	2.38
117K4	25	4	4, 2, 1, 1/2, 1/4	8	2.38	0.6	2.81	1.50	1.69	2.38
117J8	25	8	8, 4, 2, 1, 1/2	3.2	2.81	0.6	3.25	1.75	2.00	2.81
117K8	25	8	8, 4, 2, 1, 1/2	8	2.81	0.6	3.25	1.75	2.00	2.81
117K16	25	16	16, 8, 4, 2, 1	8	3.13	1.5	3.69	2.00	2.31	3.13
117K32	25	32	32, 16, 8, 4, 2	8	3.56	2.3	4.03	2.25	2.63	3.56



MATCHING AUTO 25V OR 70V LINE AUDIO TRANSFORMERS

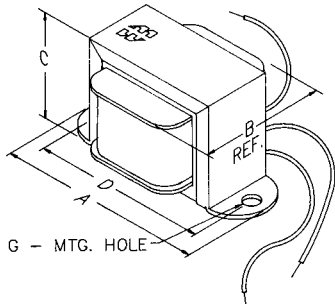


Figure 1

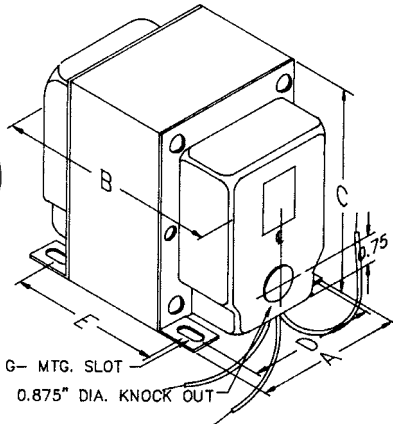
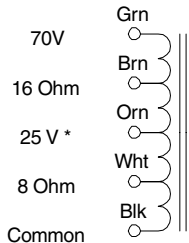


Figure 2

- Suitable for driving from solid state amplifiers where isolated windings are not required or can be used with our "Classic" 1600 tube output transformers to provide a 25V or 70V line output.
- 8 or 16 ohm input, 25V or 70V line output.
- Frequency response 50 Hz. to 10 Khz. at full ratings
- Leads 6" long minimum
- Can be reversed for operation at high power speaker locations.
- For speaker matching from older "classic" equipment check out our 119DA matching transformer.



* 25V tap on 119Y30 & 119Y60

Part No.	Max Output Watts	Line Output	Mtg. Type	Mtg. Centers	Mtg. Hole/Slot G	Wt. Lbs.	Dwg. Fig.	Dimensions (Inches)				
								A	B	C	D	E
119Y30	30	70 & 25V	Bracket	3.56	0.187	2.4	1	4.03	2.25	2.63	3.56	-
119Y60	60	70 & 25V	X Mtg.	2.00 x 2.19	.203 x .38	3.3	2	2.50	3.25	3.06	2.00	2.19
119Y100	100	70V only	X Mtg.	2.50 x 2.19	.203 x .38	4.7	2	3.13	3.50	3.81	2.50	2.19
119Y250	250	70V only	X Mtg.	2.50 x 2.94	.203 x .38	6.7	2	3.13	4.25	3.81	2.50	2.94



CANADA
Guelph, Ontario (519) 822-2960
St. Laurent, Quebec (514) 343-9010

USA
Cheektowaga, NY (716) 630-7030

www.hammondmfg.com



EUROPE
Basingstoke, UK 01256 812812

AUSTRALIA
Queenstown, Australia 61-8-8240-2244