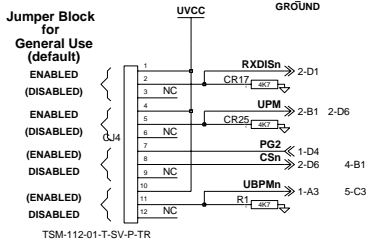
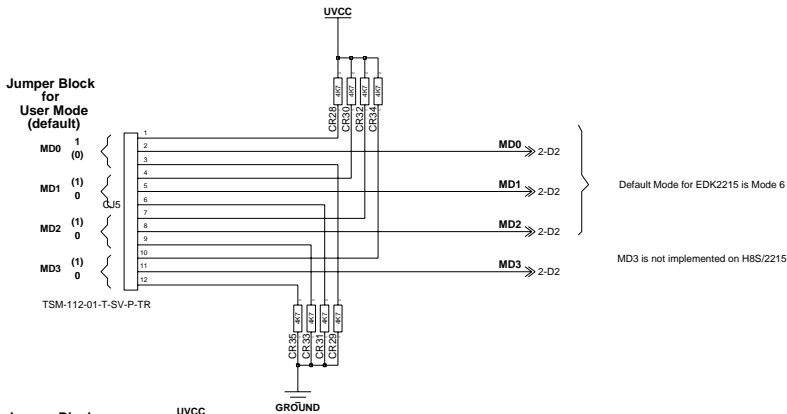
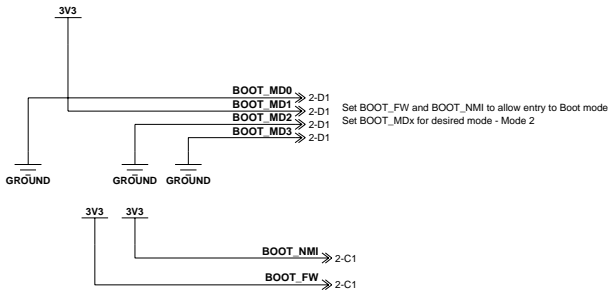


SIZE A4			
HITACHI MICRO SYSTEMS EUROPE LTD			
Whitebrook Park, Maidenhead, Berkshire UNITED KINGDOM			
SCHEMATIC TITLE EDK 2215F			
For Evaluation Purposes			
SHEET TITLE Standard Components for Direct Mode Programming			
DRAWN BY	DATE	REV	DRAWING NUMBER
R McMahon	19/06/02	2	D003782_04
			PAGE
			3/6

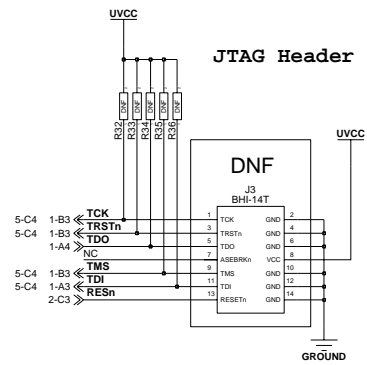


RXDISn
Normally flash header is disabled
Fit jumper to pins 1-2 to enable flash header and disable RS232 comms

UPM
In case of FWE on device, input HIGH to tri-state the FW, causing User Program Mode transition

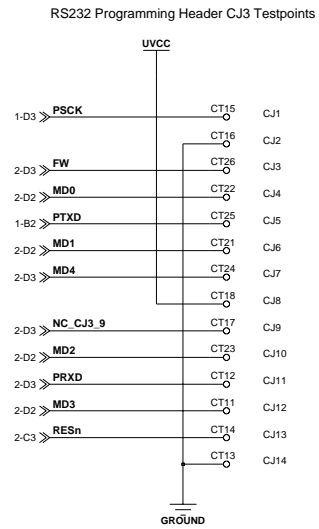
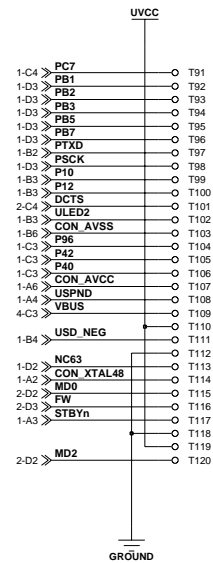
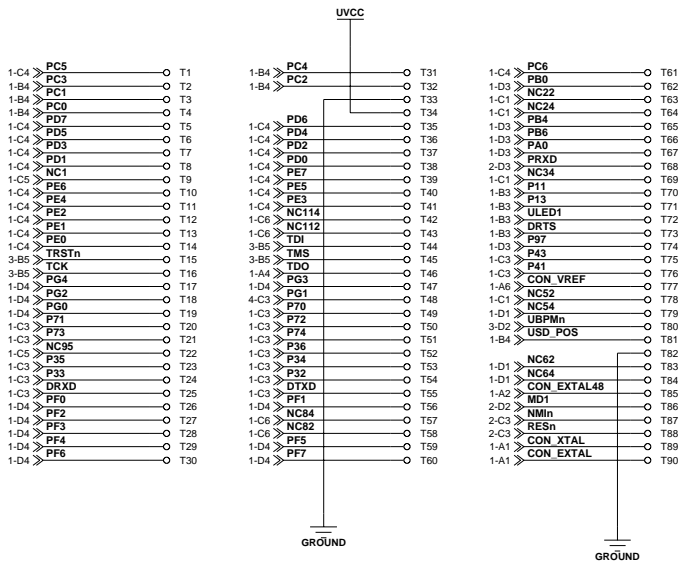
CSn
SRAM can be enabled or disabled via CS2n signal
By default the SRAM is enabled

UBPMn
Selects between self-powered mode and bus-powered mode.
Fit jumper to pins 10-11 for Self-powered mode (Default setting)

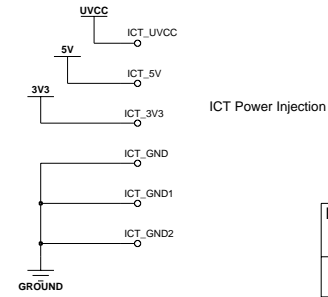


SIZE A4				
HITACHI MICRO SYSTEMS EUROPE LTD Whitebrook Park, Maidenhead, Berkshire UNITED KINGDOM				
SCHEMATIC TITLE EDK 2215F For Evaluation Purposes				
SHEET TITLE Programming and Config Headers and LCD				
DRAWN BY R McMahon	DATE 19/06/02	REV 2	DRAWING NUMBER D003782_04	PAGE 3/6

Microcontroller Expansion Connector Test Points



ALL TESTPOINTS ON UNDERSIDE OF PCB AND NOT MARKED FOR MANUFACTURING USE ONLY



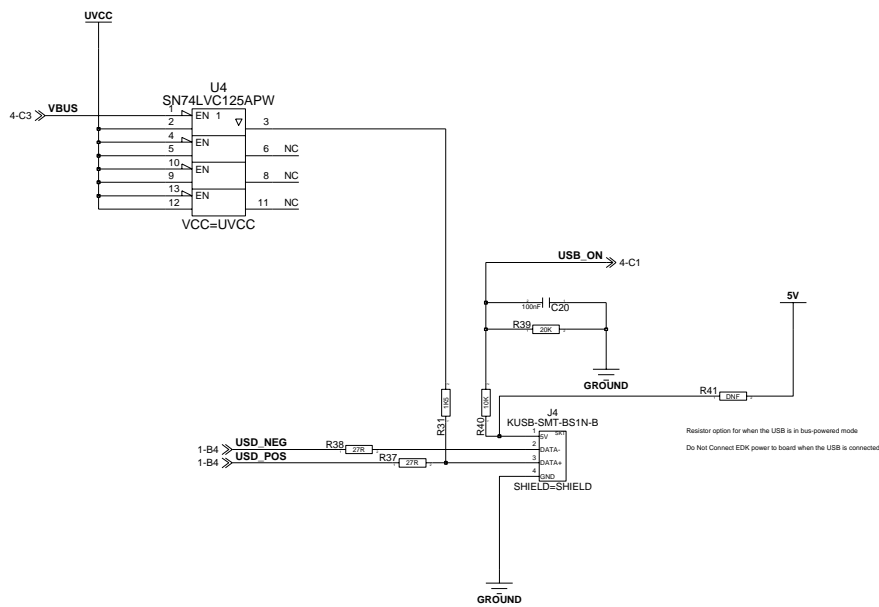
SIZE A4

HITACHI MICRO SYSTEMS EUROPE LTD
Whitebrook Park, Maidenhead, Berkshire
UNITED KINGDOM

SCHEMATIC TITLE **EDK 2215F**
For Evaluation Purposes

SHEET TITLE **Testpoints for Production Test**

DRAWN BY R McMahon	DATE 19/06/02	REV 2	DRAWING NUMBER D003782_04	PAGE 5/6
-----------------------	------------------	----------	------------------------------	-------------



SIZE A4				
HITACHI MICRO SYSTEMS EUROPE LTD				
Whitebrook Park, Maidenhead, Berkshire UNITED KINGDOM				
SCHEMATIC TITLE				
EDK 2215F				
For Evaluation Purposes				
SHEET TITLE				
USB Circuitry				
DRAWN BY	DATE	REV	DRAWING NUMBER	PAGE
R McMahon	19/06/02	2	D003782_04	5/6