



FCC68 TELECOMMUNICATIONS COUPLING TRANSFORMER 600:600CT



MODEL NUMBER
TTC-105-1

REV. Status

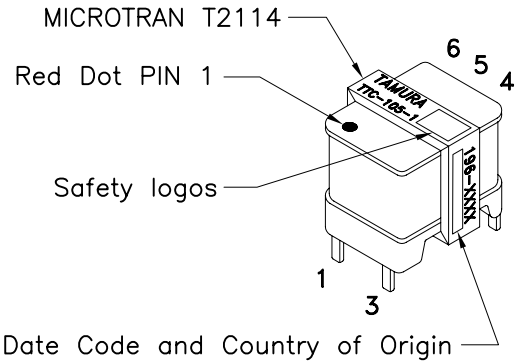
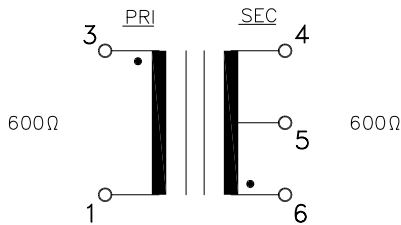
REVISION - 08/18/95 TS
REVISION A REV DIM 4.75 WAS 9.5 ADDED DIMS 4.75 11/8/95 TS
REVISION B NEW FORMAT 07/08/98 TS
REVISION C ADDED RoHS. UL1459 WAS UL1863 10/17/06 MP

- A. Electrical Specifications (@ 25°C)
- Pri. Source Impedance; 600Ω
 - Sec. Load Impedance; 600Ω
 - Pri. DC Current; 90mA max (1-3)
 - Operating Level; -45dBm to +10dBm
 - Insertion Loss;
 - 3.0dB max @ 660 to 800Hz, 0dBm, DC90mA
 - 2.5dB max @ 800 to 3.5KHz, 0dBm, DC90mA
 - Frequency Response;
 - +0.7dB, -1.0dB @ 660 to 800Hz, 0dBm, DC90mA (relative to 2KHz)
 - +0.7dB, -0.7dB @ 800 to 3.5KHz, 0dBm, DC90mA (relative to 2KHz)
 - Longitudinal Balance; 60dB min @ 200 to 4KHz
 - DC Resistance;
 - (1-3) = 71Ω ± 15%
 - (4-6) = 117Ω ± 15%
 - Turns Ratio; (1-3) : (4-6) = 1 : 1.00 ± 2%
 - Dielectric Strength;
 - 1500Vrms 1 minute @ Pri. to Sec. and Core
 - 1000Vrms 1 minute @ Sec. to Core

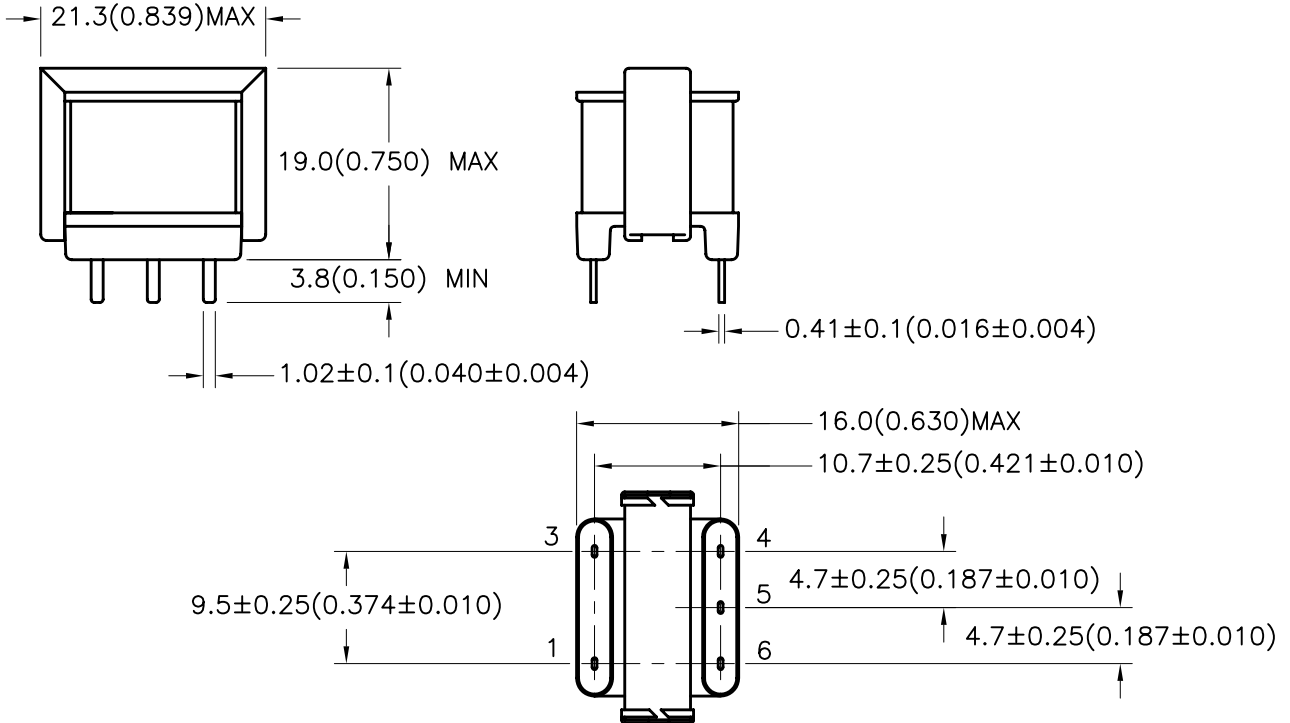


- B. Marking; TTC-105-1, TAMURA, T2114, MICROTAN, date code and country of origin
 C. Safety; CSA-C22.2 No. 66-M1988 File No. LR81383
 UL 1459 File No. E142035

D. Schematic Diagram



E. Mechanical Specifications



TOLERANCES (mm)	
≤ 4	± 0.2
4 ≤ 20	± 0.3
20 ≤ 50	± 0.4

PREPARED BY:

K. BRENNAN

ENGINEER:

M. PITCHAI

QUALITY CONTROL:

T. CLEM

APPROVED:

Y. SEKIGUCHI

DWG CONTROL NO. P-A1-11384 ACAD\TTC\A113841.DWG	REV C
---	----------

TELECOMMUNICATION COUPLING TRANSFORMER

TAMURA CORPORATION OF AMERICA
 43352 BUSINESS PARK DRIVE, TEMECULA, CA. 92590-6624
 (951) 699-1270 FAX 9516769482

TTC-105-1		
MODEL SPECIFICATION		
DIM: mm[In]	SCL: 1/1	SH: 1 OF 1

PROPRIETARY NOTICE: THIS DRAWING PRINT OR DOCUMENT AND SUBJECT MATTER DISCLOSED HEREIN ARE PROPRIETARY ITEMS TO WHICH TAMURA RETAINS THE EXCLUSIVE RIGHT OF DISSEMINATION, REPRODUCTION, MANUFACTURE AND SALE. THIS DRAWING, PRINT OR DOCUMENT IS SUBMITTED IN CONFIDENCE FOR CONSIDERATION BY THE RECIPIENT ALONE UNLESS PERMISSION FOR FURTHER DISCLOSURE IS EXPRESSLY GRANTED IN WRITING.