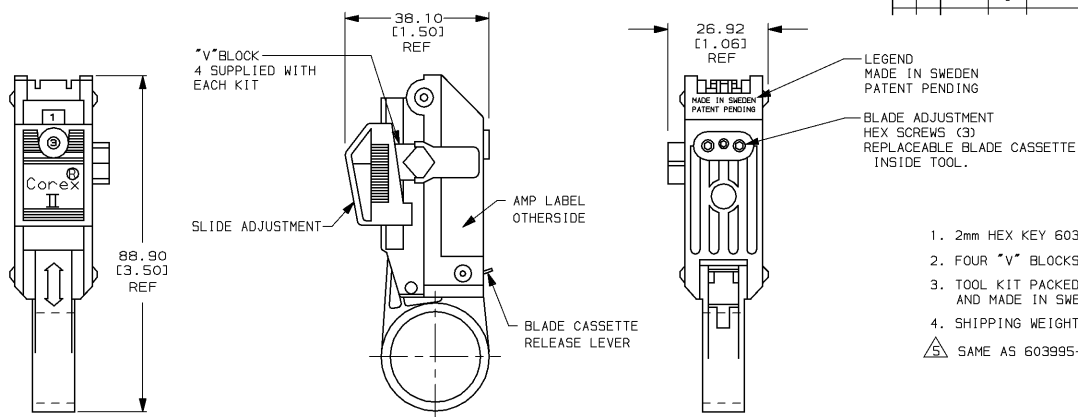


DRAWING MADE IN THIRD ANGLE PROJECTION

THIS DRAWING IS UNPUBLISHED. RELEASED FOR PUBLICATION, 19 .  
 © COPYRIGHT 19 BY AMP INCORPORATED. ALL INTERNATIONAL RIGHTS RESERVED.

LOC	DIST	REVISIONS				
P	F	ZONE	LTR	DESCRIPTION	DATE	APPD
AJ	16			0 RELEASED PER 0220-0385-95	6-21-95	JG



1. 2mm HEX KEY 603988-1, SUPPLIED WITH EACH KIT.
  2. FOUR "V" BLOCKS & ADJUSTMENT GAUGE, SUPPLIED WITH EACH KIT,
  3. TOOL KIT PACKED IN VINYL POUCH OR BOX WITH PART NUMBER AND MADE IN SWEDEN ON LABELS
  4. SHIPPING WEIGHT .19 Lb.
- △ SAME AS 603995-1 EXCEPT, 10 PER PACKAGE

TOOL KIT NO.	CASSETTE
603995-1	603996-1
603995-2	603996-2
603995-3	603996-3
603995-5	603996-4
603995-6	603996-5

DESCRIPTION	PART NO
2 STEP STYLE FOR SINGLE CRIMP BNC	603995-9
3 STEP STYLE FOR DUAL CRIMP COMMERCIAL BNC	603995-6
3 STEP STYLE FOR DUAL CRIMP BNC	603995-5
2 STEP STYLE FOR ECONOMY UHF	603995-3
2 STEP STYLE FOR COMMERCIAL BNC	603995-2
2 STEP STYLE FOR SINGLE CRIMP BNC	603995-1

"V" BLOCK		CABLE	
PART NO.	COLOR	DIA. RANGE	RG #
603997-1	RED	3.05-5.08 [1.20-.200]	195
603997-2	BLUE	5.08-6.35 [1.200-.250]	58, 59, 62
603997-3	YELLOW	6.35-7.62 [1.250-.300]	BELDEN 8281
603997-4	WHITE	2.54-3.05 [1.00-.120]	174, 188

DO NOT SCALE PRINT. UNLESS SPECIFIED DIMENSIONS IN mm (INCHES) TOLERANCES ON: 2 PLC DEC ± 0.38 (.015) ANGLES ± -	DR J.L.GROFT 6-21-95	AMP Incorporated Harrisburg, PA 17105-3608	NAME		
MATERIAL -	CHK R.J.KOBLER 6-21-95		COAXIAL CABLE STRIPPER		
FINISH -	APPD R.J.KOBLER 6-21-95		SIZE B	CAGE CODE 00779	DRAWING NO C=603995
WEIGHT -	APPD J.L.GROFT 6-21-95		SCALE 1:1	SHEET 1 OF 1	

THIS DRAWING IS A CONTROLLED DOCUMENT FOR AMP INCORPORATED. IT IS SUBJECT TO CHANGE AND THE CONTROLLING ENGINEERING ORGANIZATION SHOULD BE CONTACTED FOR THE LATEST REVISION.

AMP 1470-15 REV 3-92  
 21-JUN-95 12:04:27 amp03419

CUSTOMER DRAWING