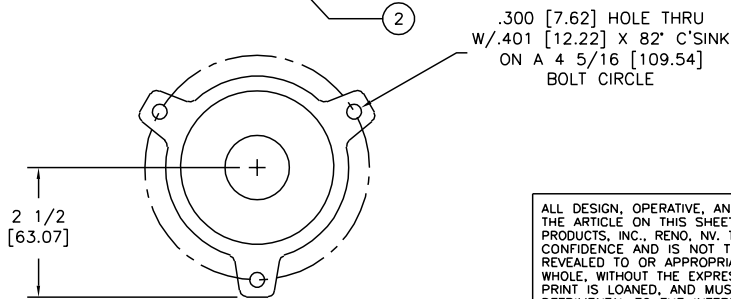
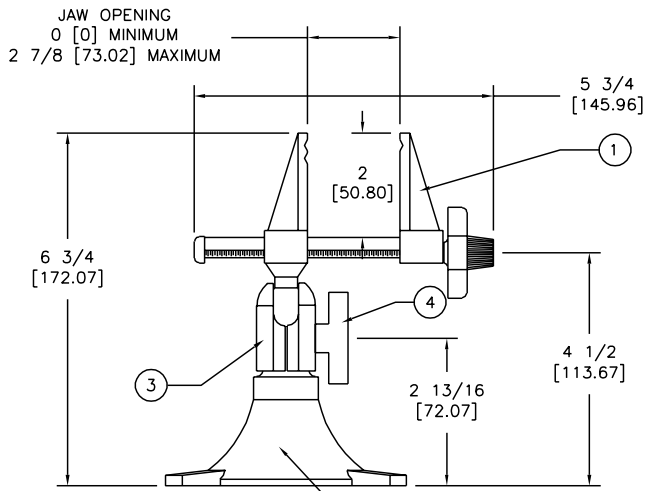


ALL DIMENSIONS ARE FOR REFERENCE ONLY

DIMENSIONS ARE IN INCHES [MILLIMETERS] UNLESS OTHERWISE NOTED



PRODUCT SPECIFICATION SHEET			DWG NO.	201 SP	
REVISIONS			TITLE		
REV	ECO	DESCRIPTION	BY/DATE	APPROVED	
A		INITIAL RELEASE	IB 1 DEC 95		

SPECIFICATIONS

OVERALL HEIGHT ..... 6 3/4 [172.07]  
 ROTATION ..... 360 DEGREES  
 SWIVEL ..... 360 DEGREES  
 PIVOT ..... 210 DEGREES  
 SHIPPING WEIGHT ..... 1.4 POUNDS [.64 KG]  
 VISE OPENING ..... 2 7/8 [73.02] MAXIMUM  
 JAW WIDTH ..... 1.0 [25.40]  
 JAW HEIGHT ..... 2.0 [50.80]

MATERIAL:

- 1. VISE HEAD ASSY \* .... BLACK GLASS REINFORCED THERMAL COMPOSITE ALLOY
- 2. BASE ..... #3 ZINC DIE CAST SILVER PAINT
- 3. BALL JOINT CLAMPS ... #3 DIE CAST SILVER PAINT
- 4. KNOB ..... #3 ZINC DIE CAST PAINTED BLACK  
 1/4-28 X 7/8  
 STEEL SOCKET SCREW  
 BLACK OXIDE

\* VISE HEAD ASSEMBLY INCLUDES KNOB, END CAP AND BOTH JAWS.

ALL DESIGN, OPERATIVE, AND PROCESS DATA PERTAINING TO THE ARTICLE ON THIS SHEET IS THE PROPERTY OF PANAVISE PRODUCTS, INC., RENO, NV. THIS INFORMATION IS DISCLOSED IN CONFIDENCE AND IS NOT TO BE COPIED, REPRODUCED, OR REVEALED TO OR APPROPRIATED BY OTHERS, IN PART OR IN WHOLE, WITHOUT THE EXPRESSED CONSENT OF PANAVISE. THIS PRINT IS LOANED, AND MUST NOT BE USED IN ANY MANNER DETRIMENTAL TO THE INTEREST OF PANAVISE, AND MUST BE RETURNED ON DEMAND



**PANAVISE®**  
 7540 Colbert Drive, Reno, Nevada 89511-1225  
 Phone (702) 850-2900, Fax (702) 850-2929

BASIC DIM. ENGLISH [ALTERNATE DIM. METRIC]

DRAWN	DATE	SCALE	SHT	OF
I BENNETT	DEC 95	NONE	1	1

TITLE		PV JR. MODEL 201	
SIZE	DWG. NO.	REV	
A	201SP	A	