

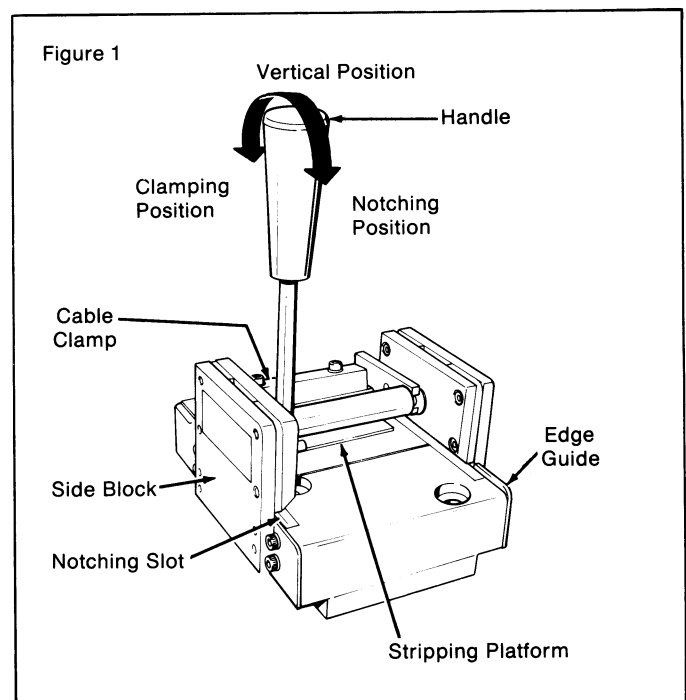
Instructions for the use of Scotchflex Model 3557 Cable Notcher

General

The Model 3557 Cable Notcher is designed to aid in the preparation of ground plane cable for mass termination. Ground plane cable is made with a protective edge and cover of PVC to prevent the ground plane from making unwanted electrical contact. The edge, cover and ground plane must be removed prior to termination with insulation displacement connectors.

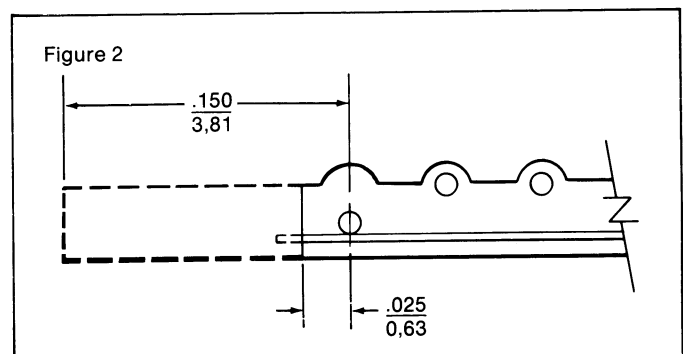
Installation

The cable notcher can be used as a portable tool or mounted to a workbench. Two mounting holes are provided in the notcher base to facilitate mounting. (Figure 1)

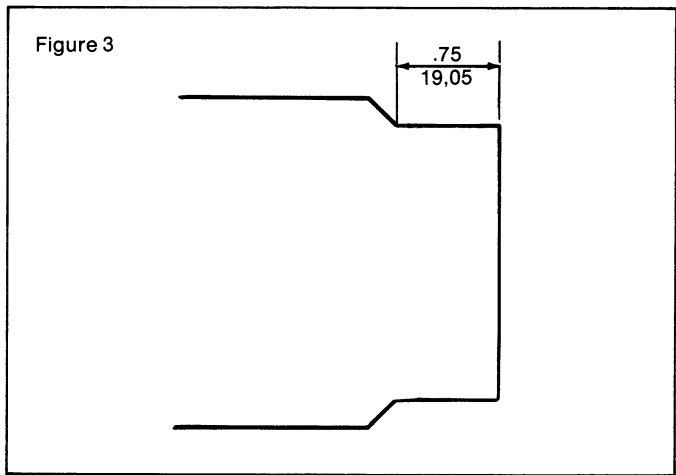


Edge Notching

The wire to edge dimension on ground plane cable is .150 in. (3,81 mm), while the connectors are designed to accept the standard cables which are .025 in. (0,63 mm). (Figure 2)



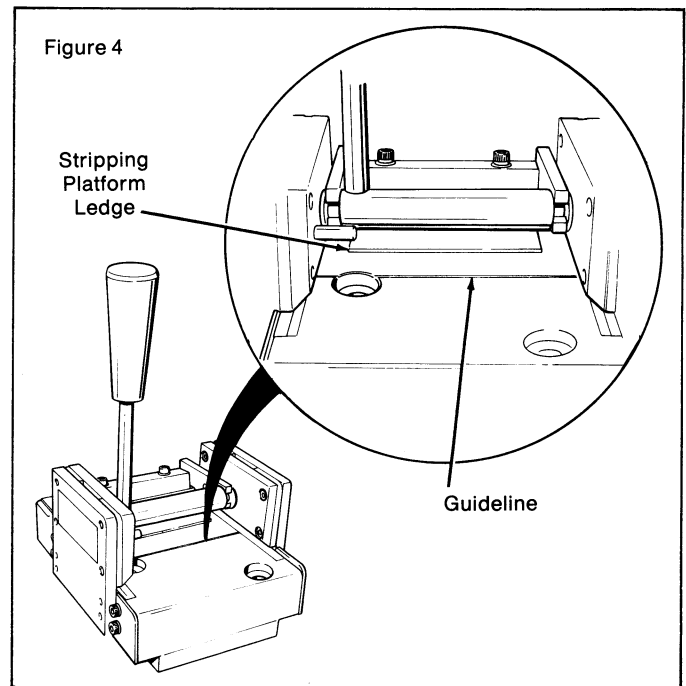
The Scotchflex Model 3557 Cable Notcher is designed to remove the excess edge material for a length of .75 in. (19,05 mm). (Figure 3)



Operation

1. Raise the handle to the vertical position.
2. Insert and align the cable along the edge guide and butt the cable end against the stripping platform ledge.
3. Lower the handle toward the notching position to the stop.
4. Raise the handle to the vertical position; move the cable to the opposite edge guide and repeat step #3.
5. Raise the handle to the vertical position and remove cable.

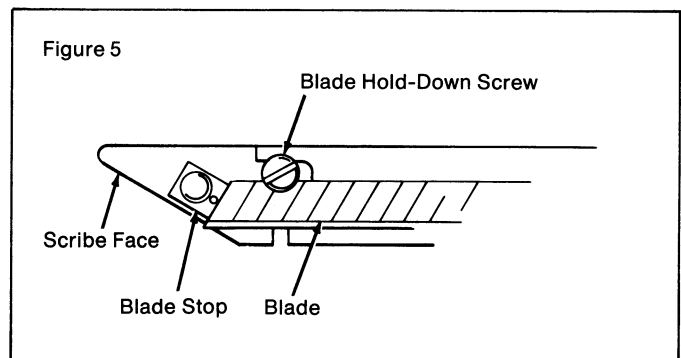
Note: For mid-span notching, a guideline is provided on the notcher bed to indicate the trailing edge of the notch. (Figure 4) This line aids in alignment when the cable cannot be butted against the stripping platform.



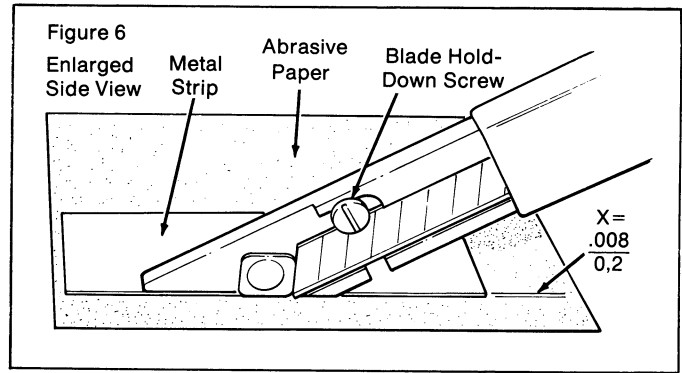
Scribe Adjustment

The 3430-7000 scribe provides four blade depth settings to correspond with three thicknesses of cable jacketing as well as the cover over the ground plane on ground plane cable.

1. Loosen the blade hold-down screw. Slide blade back from blade stop and rotate blade stop to desired setting. Note position of the dot on the stop. (Figure 5) Slide blade forward until it stops against blade stop and tighten blade hold-down screw.



- The extension of the blade must be closely controlled to .008 in (0,2 mm). This can be accomplished by grinding the blade to length. Lay the enclosed .008 in. (0,2 mm) thick metal strip on the enclosed 600 grit abrasive.
- Place scribe face on the metal strip so that the blade hangs over the edge. Draw the scribe along the edge of the strip to grind the blade to the correct length. (Figure 6)
- Check the setting by making a test cut. Remove the PVC cover and visually inspect the ground plane for nicks.

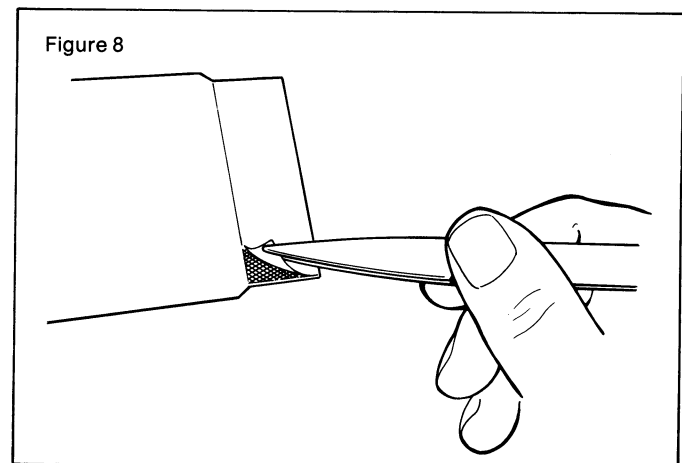
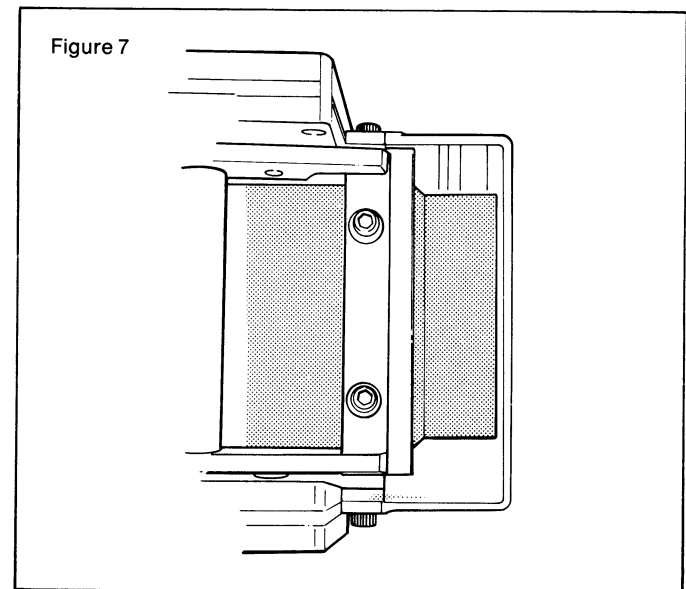


Ground Plane Removal

Note: Dimensional changes of ground plane cables can occur after removing the ground plane and its PVC cover. To minimize this possibility, it is recommended that the stripped cable be used as soon as possible.

- With the notcher handle in the vertical position, insert the cable into the cable notcher with the hump side down. The notched portion of the cable should extend slightly beyond the clamp as shown. (Figure 7) Lower the handle toward the clamping position.
- Place the scribe against the guide and draw it across the cable from edge to edge. To ensure the correct scribe depth, the scribe face must remain flat against the cable surface.
- Raise the handle of the notcher to the vertical position and remove the cable.
- Place the cable on a flat surface with the hump side down. Using a tweezers or similar tool, pick the PVC cover loose from the ground plane starting at the point where the notch intersects the ground plane and pull across the cable. (Figure 8)
- After the PVC cover is removed, the ground plane can be lifted and folded back or removed and the cable terminated the same as other cables.

Note: For additional instructions on the use of the scribe or preparation of Scotchflex ground plane cable, refer to their separate instruction sheets.



Important Notice to Purchaser:

All statements, technical information and recommendations contained herein are based on tests we believe to be reliable, but the accuracy or completeness thereof is not guaranteed, and the following is made in lieu of all warranties expressed or implied:

Seller's and manufacturer's only obligation shall be to replace such quantity of the product proved to be defective. Neither seller nor manufacturer shall be liable for any injury, loss or damage, direct or consequential, arising out of the use or the inability to use the product. Before using, user shall determine the suitability of the product for his intended use, and user assumes all risk and liability whatsoever in connection therewith.

No statement or recommendation not contained herein shall have any force or effect unless in an agreement signed by officers of seller and manufacturer.

34-7016-5633-1(42.5)R1

© 1982 Minnesota Mining & Manufacturing Co.

Litho in U.S.A.

Electronic Products Division/3M
3M Center, St. Paul, Minnesota 55144

