

4

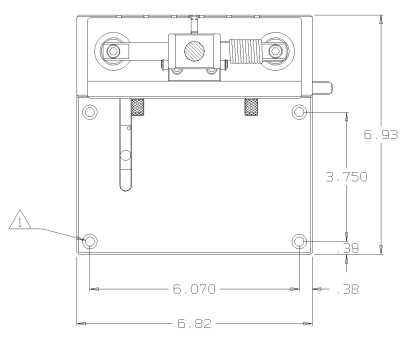
3

2

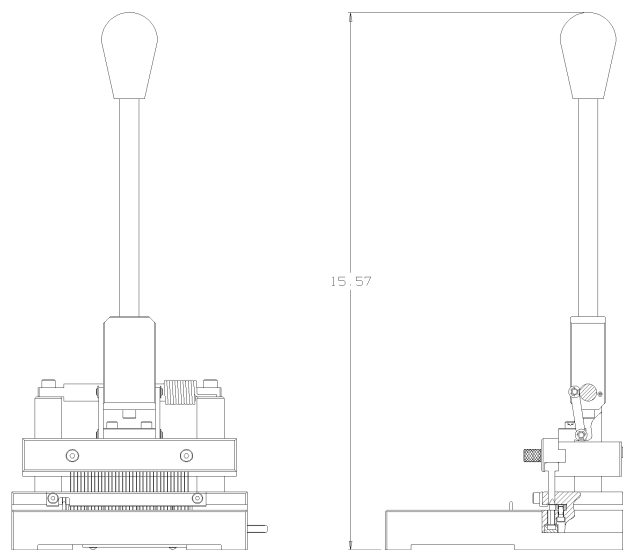
1

THIS DRAWING IS UNPUBLISHED. RELEASED FOR PUBLICATION. BY AMP INCORPORATED. ALL RIGHTS RESERVED.

LOC	QTY	REVISIONS			
		DESCRIPTION	DATE	BY	APPD
AD	47				
		E	REVISED & REDRAWN PER EC 0622-0111-99	9-2-99	JG SS



△ USE 1/4-20UNC X .50 MIN LONG SOCKET HEAD CAP SCREWS FOR MOUNTING.



767527-1
PART NUMBER

THIS DRAWING IS A CONTROLLED DOCUMENT.		DN	J. GERACE	9-2-99
DEPENDENCY:		OK	S. STRICKLER	9-2-99
INCHES:		APPV	A. MENK	9-2-99
0 P/LC		PRODUCT SPEC		
1 P/LC		APPLICATION SPEC		
2 P/LC		WEIGHT		
3 P/LC		SCALE	1:2	
4 P/LC		SHEET	1 of 1	
ANGLES		REV	E	
FINISH		CUSTOMER DRAWING		

AMP Incorporated		Horrisburg, PA 17105-3508	
SLITTING TOOL, MICTOR			
SIZE	CASE CODE	DRAWING NO	
A2	00779	C-767527	

AMP 1471-9 REV 209806

767527