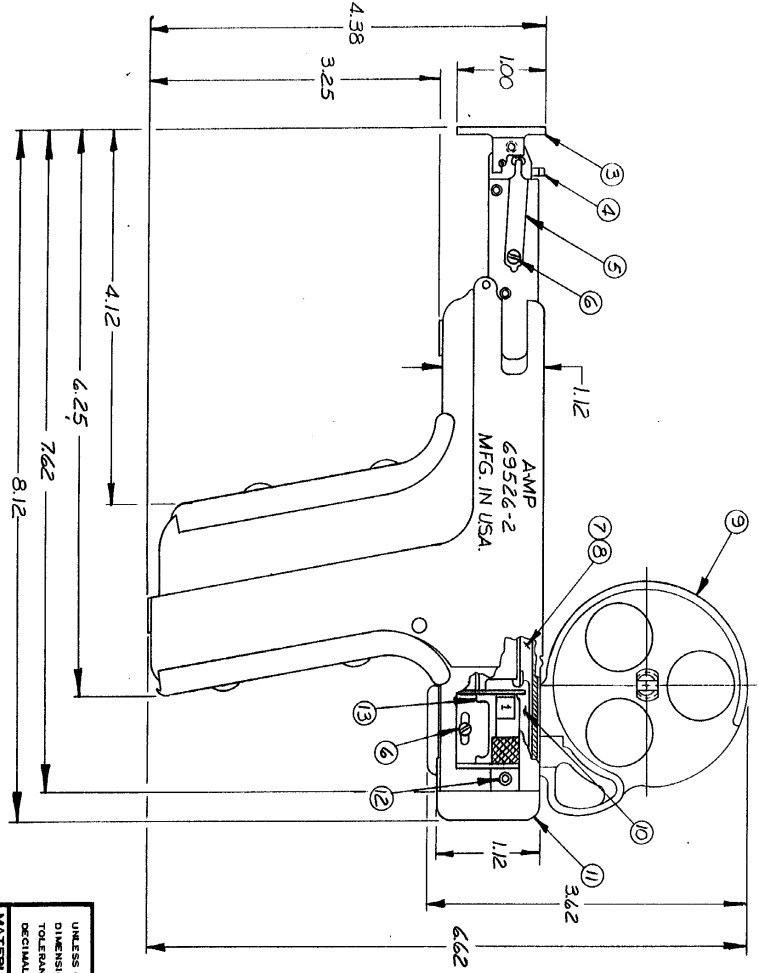
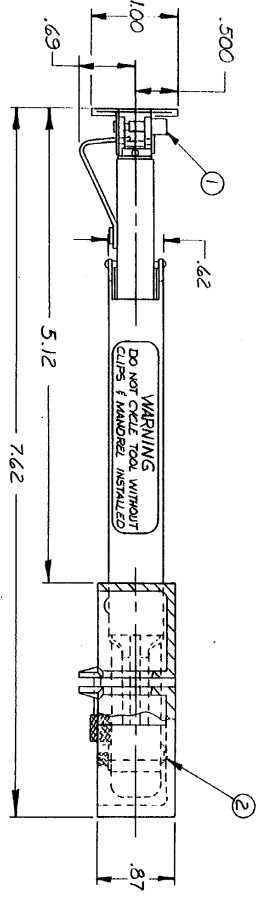


DRAWING MADE IN AMERICAN PROTECTION
 © 1972 BY AMP INCORPORATED. ALL RIGHTS RESERVED. AMP PRODUCTS COVERED BY PATENTS AND OR PATENTS PENDING.



NOTE:
 1. FOR REPLACEMENT OF PARTS OTHER THAN LISTED TOOL SHOULD BE RETURNED TO OUR FACTORY OR CONTACT FIELD ENGINEERING
 2. * PLATE ASSEMBLY SHOULD BE REPLACED WITH SAME DASH NUMBER TO INSURE PROPER FUNCTIONING OF TOOL.
 3. ALL DIMENSIONS ARE APPROXIMATE.

REVISIONS			
ISSUE	LTN	DESCRIPTION	DATE APPROVED
0		RELEASED ON EN TP 22 57	8-1-72 RY

QTY	PART NO.	DESCRIPTION	UNIT
1	246555-2	DRUM STACKER ASSEMBLY	1/3
1	240447-1	SCREW, 4-40 X 2/8 LONG	1/2
1	241477-2	RAIN ROD ASSEMBLY	1/1
1	241396-4	PLATE ASSEMBLY	1/0
1	245336-1	REFL HOLDER	1/0
1	241389	PLATE - PUSH ROD	1/0
1	241395-2	PUSH ROD ASSEMBLY	1/0
2	240400-1	SCREW, 3/8 X 1/2 LONG	1/2
1	241469	SPRING, INSULATION BENDING	1/2
1	240635	SPRING, SOCKET HEAD CAP	1/2
1	240419-3	SOIL ALIGNMENT	1/2
1	241135	SCREW, 4-40 X .218 LONG	1/2
1		SCREW, MANDREL MOUNTING	1/2

UNLESS OTHERWISE SPECIFIED, DIMENSIONS ARE IN INCHES. TOLERANCES ± .015 ANGLES ± 1° 0'

CONTRACT NO. H
 DR. HARRY BAUL
 CHK. HARRY BAUL
 APPD. 8-1-72
 REL. 2-1-72
 DESIGN APPD.
 OTHER APPD.

AMP INCORPORATED
 HARRISBURG, PENNSYLVANIA
 NAME: TERM1 - POINT
 TOOL ASSEMBLY
 031X.062 MANUAL SERVICE
 SIZE: C
 CODE IDENT NO.: 00779
 NUMBER: 69526-2
 SCALE: 1:1
 SHEET: 1 OF 1

NUMBER 69526-2