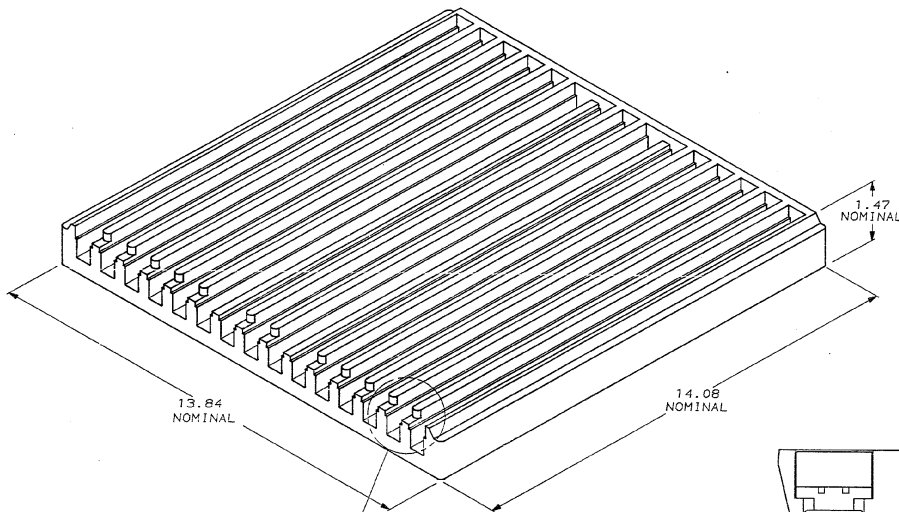


DRAWING MADE IN THIRD ANGLE PROJECTION

THIS DRAWING IS UNPUBLISHED. RELEASED FOR PUBLICATION
 © COPYRIGHT 1985 BY AMP INCORPORATED, HARRISBURG, PA. ALL INTERNATIONAL RIGHTS RESERVED. AMP PRODUCTS MAY BE COVERED BY U.S. AND FOREIGN PATENTS AND/OR PATENTS PENDING.

LOC	DIST	P	ZONE	LTR	DESCRIPTION	DATE	APPROVED
DK	100				0 RELEASED	10-22-85	
		DI	S	ECN	DR-010	10-22-85	SWK
		ALV	A	ECN	DR-076	8-8-88	SMU

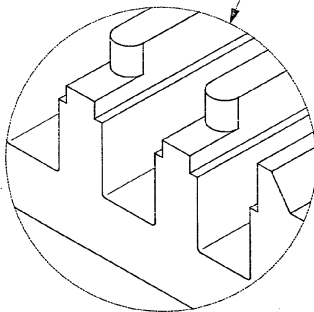
D
C
B
A



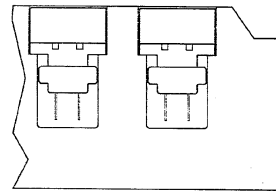
REV	DATE	DESCRIPTION	BY	CHKD
45	45	64		
45	60	60		
60	75	96		
60	90	24		
75	105	14		

WITH BAIL LOCK HARDWARE	ALL OTHERS	POSITION

-FOR REFERENCE ONLY-



SCALE 2:1



FRONT VIEW OF TRAY SHOWN WITH HOUSING ASSEMBLY INSERTED -FOR REFERENCE ONLY- SCALE 2:1

NOTE: MATERIAL SHALL MEET THE ANTI-STATIC REQUIREMENTS OF AMP SPECIFICATION 18-89

698333

698333-1

UNLESS OTHERWISE SPECIFIED DIMENSIONS ARE IN INCHES TOLERANCES ON:		DR	10-22-85		PART NO	
2 PL DEC ±	3 PL DEC ±	CHK			AMP INCORPORATED Harrisburg, Pa. 17105	
ANGLES ±		APPD			NAME	
MATERIAL	EXPANDED POLYSTYRENE FOAM	APPD			EPS TRAY, VERTICAL / EDGE MOUNT, PCB, CHAMP	
FINISH	-	PRODUCT SPEC			SIZE	F3CH NO
		APPLICATION SPEC			C	00779
		WEIGHT			DRAWING NO	698333
					SCALE	1:2
					SHEET	1 OF 1

AMP 1471-7 REV 10-84

CUSTOMER DRAWING