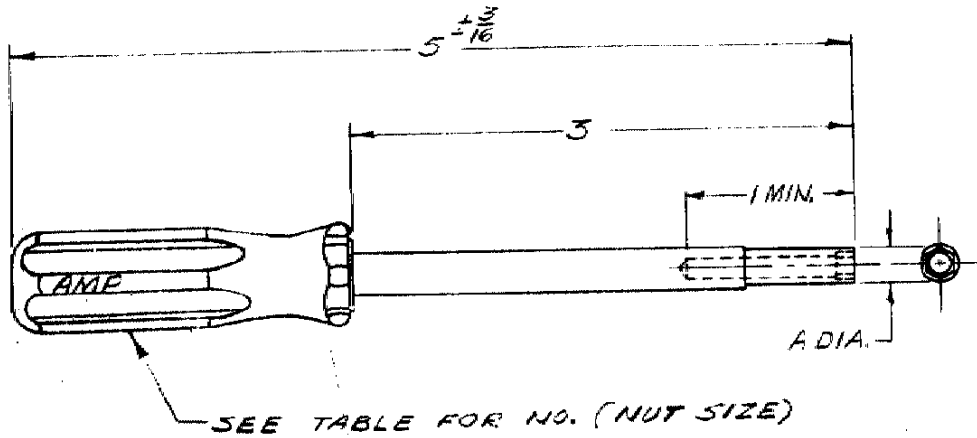


NUMBER
C-811262

PART NUMBER	A	NUT SIZE	USED ON
811262-1	233 243	4-40	ALL SERIES "M" BLOCKS
811262-2	204 311	6-32	ALL SERIES "M" BLOCKS



PRINT DIST 36
DIMENSIONS IN INCHES. DO NOT SCALE PRINT.

				©1962 BY AMP INCORPORATED. ALL RIGHTS RESERVED. AMP PRODUCTS COVERED BY PATENTS AND/OR PATENTS PENDING.		CUSTOMER COPY REFERENCE ONLY	
				MATERIAL AND FINISH —//—		AMP INCORPORATED HARRISBURG, PENNA.	
B-1 LOC M WAS R. PF — 9/1/62				CLASS		—//—	
B HANDLE FOR... 44 5 5/8/62				WIRE — RANGE — INSULATION		TYPE	
A REVISED FOR ECNARMA... 2/2/62				TOLERANCE EXCEPT AS NOTED ± .015		SCALE	
TR REVISION RECORD DR CHK DATE				LOP M		NO A	
DR S. Hahn 3/24/62 DE				NAME		C-811262	
CHK... 3/23/62				NUT DRIVER (SPECIAL)		REV B-1	

AMP 1252 REV 7/60

CUSTOMER DRAWING