

SZS 1,0X4,0

Order No.: 1205066

The illustration shows version SZS 0,6 x 3,5

<http://eshop.phoenixcontact.de/phoenix/treeViewClick.do?UID=1205066>Screwdriver, bladed, matches all screw terminal blocks with 10 mm²
and 16 mm² connection cross section, blade: 1.0 x 4.0 mm**Commercial data**

EAN	4017918019105
Pack	10 Pcs.
Customs tariff	82054000
Weight/Piece	0.06221 KG
Catalog page information	Page 27 (CL-2007)

Product notesWEEE/RoHS-compliant since:
01/01/2003

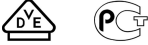
<http://www.download.phoenixcontact.com>
Please note that the data given here has been taken from the online catalog. For comprehensive information and data, please refer to the user documentation. The General Terms and Conditions of Use apply to Internet downloads.

Technical data**General**

Length	200 mm
Design	Phillips
Blade thickness	1 mm

Blade width	4 mm
Blade height	100 mm
Weight	55 g

Certificates / Approvals

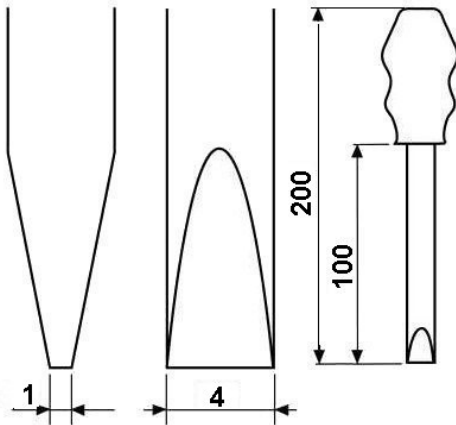


requested approbations

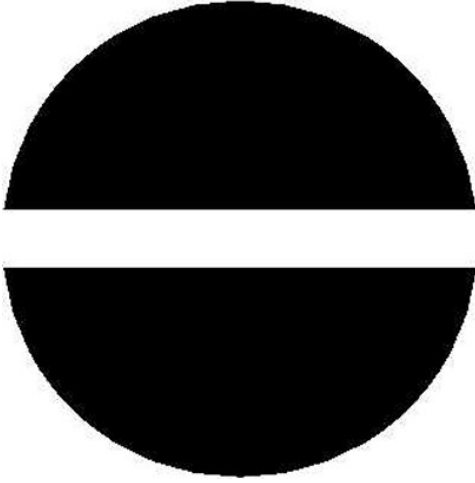
Certification	GOST, VDE-PZI
---------------	---------------

Drawings

Dimensioned drawing



Schematic diagram



SZS 1,0X4,0 Order No.: 1205066

<http://eshop.phoenixcontact.de/phoenix/treeViewClick.do?UID=1205066>

Address

PHOENIX CONTACT Inc., USA
586 Fulling Mill Road
Middletown, PA 17057, USA
Phone (800) 888-7388
Fax (717) 944-1625
<http://www.phoenixcon.com>



© 2008 Phoenix Contact
Technical modifications reserved;