

Instructions and Installation Procedures for the Scotchflex® Delta Ribbon Connector System

BRAND

System Components

<p>Plug</p> <p>Delta Ribbon Connector (plug). Part No.'s 3564-1000, 3366-1000, 3548-1000, 3572-1000.</p>	<p>Plug</p> <p>Delta Ribbon Connector with Bail mount ears (plug) Part No.'s 3564-1001, 3366-1001, 3548-1001, 3572-1001.</p>	<p>Plug</p> <p>Delta Ribbon Connector with screw mount ears (plug) Part No.'s 3564-1002, 3366-1002, 3548-1002, 3572-1002.</p>	<p>Strain Relief 3448-26 (50 position), -23 (36 position), -24 (24 position), -32 (14 position)</p>	
<p>Socket</p> <p>Delta Ribbon Connector (socket). Part No.'s 3565-1000, 3367-1000, 3549-1000, 3573-1000.</p>	<p>Socket</p> <p>Delta Ribbon Connector with Bail Mount ears (socket) Part No.'s 3565-1001, 3367-1001, 3549-1001, 3573-1001.</p>	<p>Socket</p> <p>Delta Ribbon Connector with screw mount ears (socket) Part No.'s 3565-1002, 3367-1002, 3549-1002, 3573-1002.</p>	<p>3412 Dust Cover (50 position only)</p>	
<p>3443-58 Locator Plate</p>	<p>3475-1 Bail Mount Kit</p>	<p>3475-2 Bail Mount Kit</p>	<p>3341-IL Jacksocket Kit</p>	
<p>3341-2 Jacksocket Kit</p>	<p>3342-3 Screw Mount Kit</p>	<p>IEEE 488 Type Jacksocket 3341-3</p>	<p>IEEE 488 Type Junction Shell 3485-2700</p>	<p>Junction Shells for Flat or Round Conductor Cable. Part No.'s 3485-2500*, 3485-2800*, 3485-1700*, 3485-1800*</p>

*For Round Conductor Cable use junction shell with an "R" suffix (ex. 3485-2500R)

Assembly of Delta Ribbon Connectors

General

Scotchflex manual and pneumatic presses and accessory fixtures are recommended for ease of set up and harness assembly. For more information, contact your Scotchflex representative.

Locator Plate and Press Set-Up

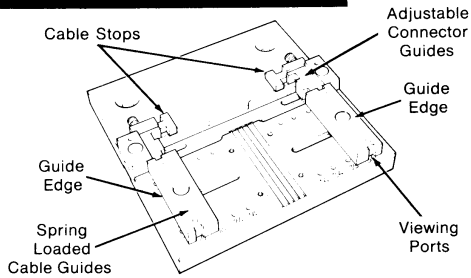


Figure 1

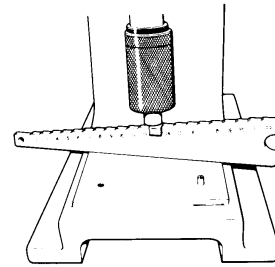


Figure 2

1. Remove platen from assembly press.
2. For ground plane and shielded cable, position the **cable guides** on the locator plate with the viewing ports **closest** to the cable guide edge when at the desired number of contacts (Figure 1).

For standard and color coded cable, position the **cable guides** on the locator plate with the viewing ports **farthest** from the cable guide edge when at the desired number of contacts (Figure 1).
3. Position **connector guides** symmetrically on the locator plate, aligning both guide notches to the appropriate number of contacts in the connector.
4. Rotate cable stops toward each other for end terminations; away from each other for bussing.
5. Install Scotchflex locator plate 3443-58 on the press table over the mounting studs.
6. Adjust the press shut height for a setting of 21 for Scotchflex presses 3440, 3440A, and 3640; or a setting of 21½ for Scotchflex presses 3335, 3335-1, 3339, 3339-1 (Figure 2). For the adjustment procedure, use Scotchflex Shut Height Gauge 3436-1 or 3436-1A. **Reference setting from press table.**
7. Install Scotchflex platen 3442-1 or 3442-1A on the press, parallel to the length of the connectors to be assembled.

Assembly

1. Remove a connector cover from paper liner by snapping cover down against adjacent cover and then pulling laterally away from liner. (Figure 3)
2. Press ribbed side of cable into cover alignment grooves.
Visually inspect to ensure that:
 - a. Cable is properly aligned in connector cover grooves.
 - b. Cable end is flush with cover for end terminations or that the cable is perpendicular to the cover for bussing.
3. Place cable-cover subassembly between end guides on locator plate.

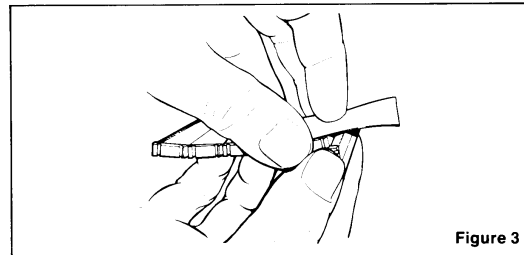


Figure 3

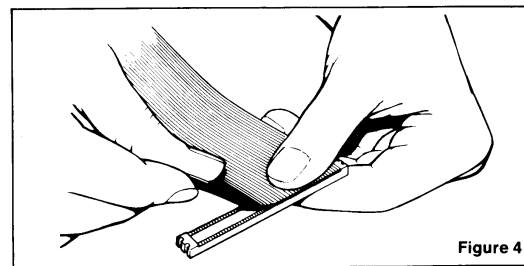


Figure 4

4. Position connector body over cable-cover assembly and lower assembly press handle to complete the termination. (Figure 5)

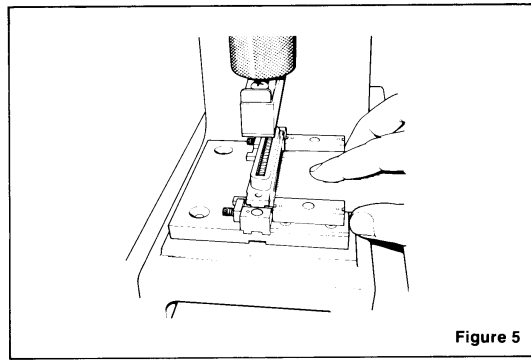


Figure 5

5. Raise press handle and remove completed assembly from locator plate. Visually inspect to ensure that:
 - a. Cover is fully seated and parallel to body.
 - b. Cable is properly aligned and oriented.
 - c. Cable is perpendicular to connector. (Figure 6)

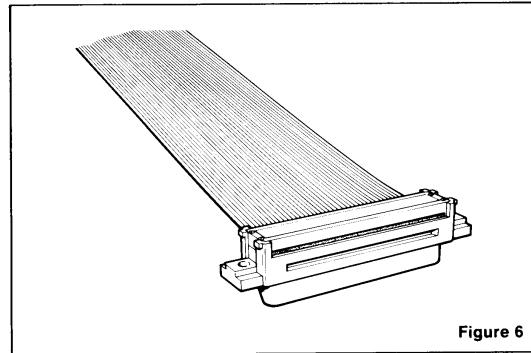


Figure 6

Strain Relief Attachment

1. Fold cable back over cover.
2. Engage one end of strain relief over connector body flange. (Figure 7)
3. Push other end down against cable and snap onto body.

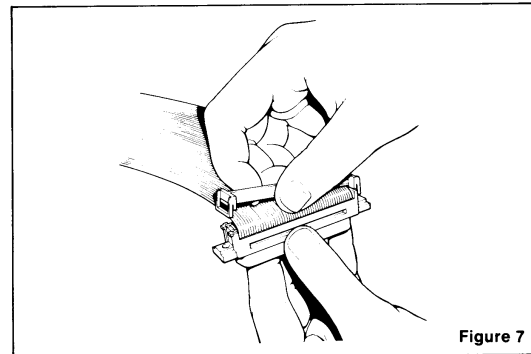


Figure 7

Junction Shell Installation

Jacketed Shielded Cable (Figure 8)

1. Remove 1 7/8" (41,3 mm) of jacket from Scotchflex Cable 3517. (Figure 8) See Instructions on Use of Scotchflex Hand Tool 3430-7000 and Cutting Guide 3507 for jacketed cable preparation.

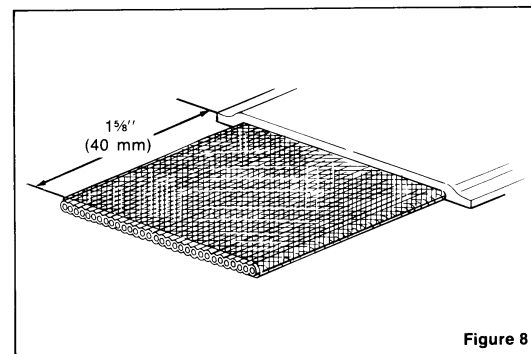
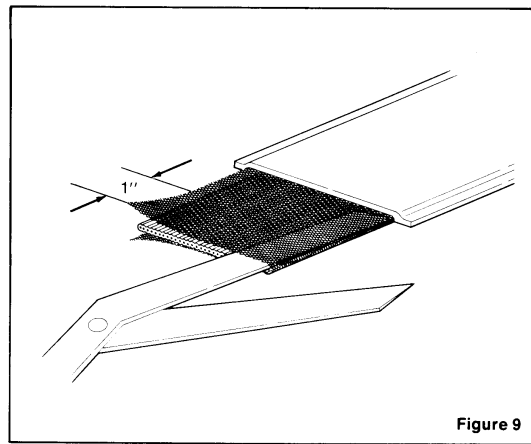
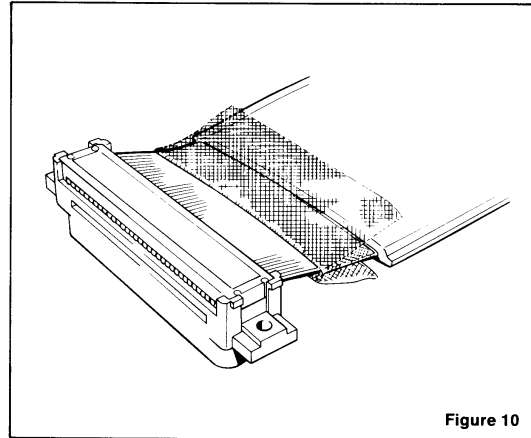


Figure 8

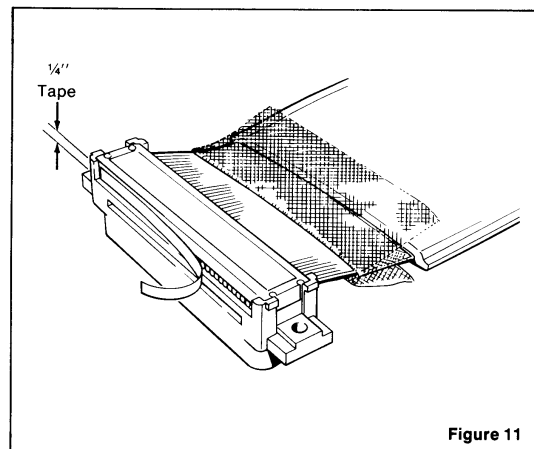
2. Slit the shield on both sides back 1" (25,4 mm) from the end. (Figure 9)



3. Fold the shield back on both sides and terminate the connector. (Figure 10)



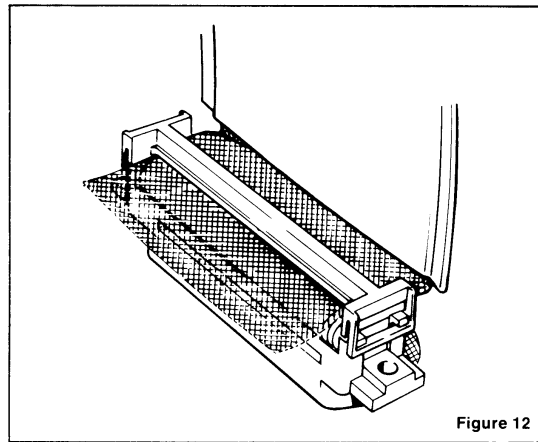
4. Tape the exposed conductor ends with a length of 1/4" (0,6 mm) 3M #56 electrical tape. (Figure 11)



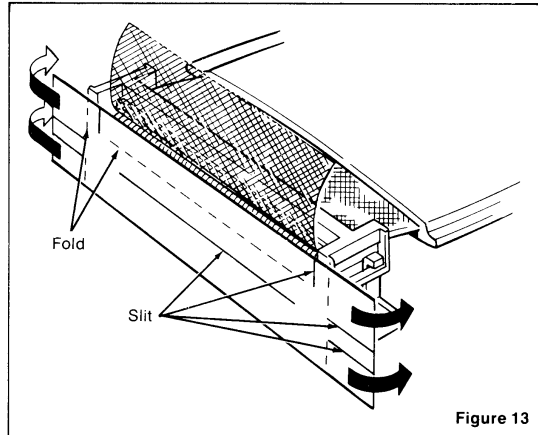
5. Fold the cable back over the cover and extend the shield over both sides of the connector body beyond the keyways.

4

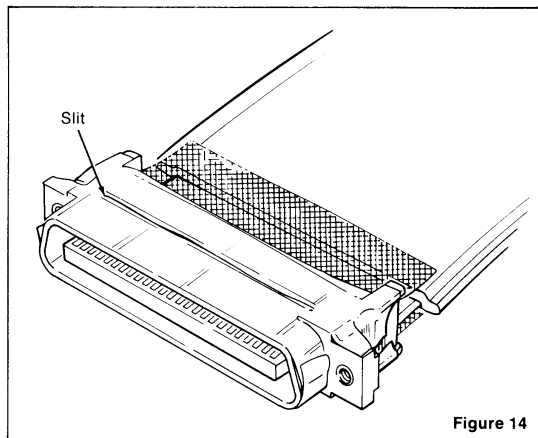
6. Attach a strain relief over the cable and shield and bend back 90°. (Figure 12)



7. Cut two strips of 1" (25,4 mm) wide 3M #1194 copper foil tape 1/4" (12,7 mm) longer than the mating shell.
8. Wrap the mating shell with both strips of foil tape, trimming and overlapping to fit. (Figure 13)



9. Slit the copper foil tape the length of the keyway. (Figure 14)



- Attach an $\frac{1}{16}$ " (4,3 mm) braided ground strap to the shield by blind riveting the shield between a piece of folded-over copper foil tape, 3M #D-01-103, and the two terminal lugs fastened to the braid. (Figure 15)

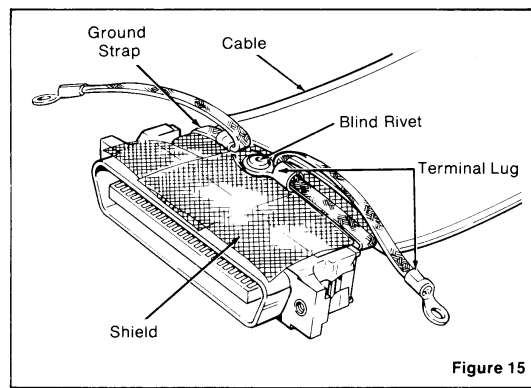


Figure 15

- Position the junction shell halves and push together, capturing the shield between the body keyway and junction shell key so that the ground strap extends from the side of the assembly. (Figure 16 and 17)

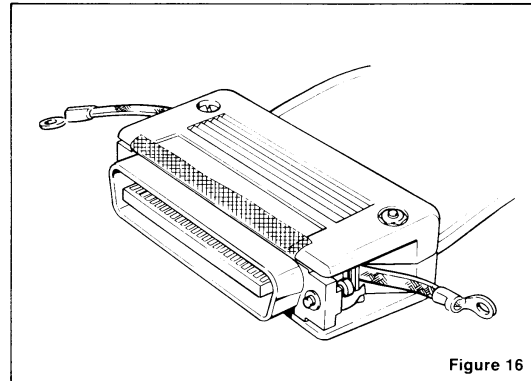


Figure 16

- Insure the cable jacket butts against the jacket stop and that the cable is perpendicular to the connector's length.

- Secure the junction shell with the hardware provided. Trim the excess shield with a sharp blade and discard.

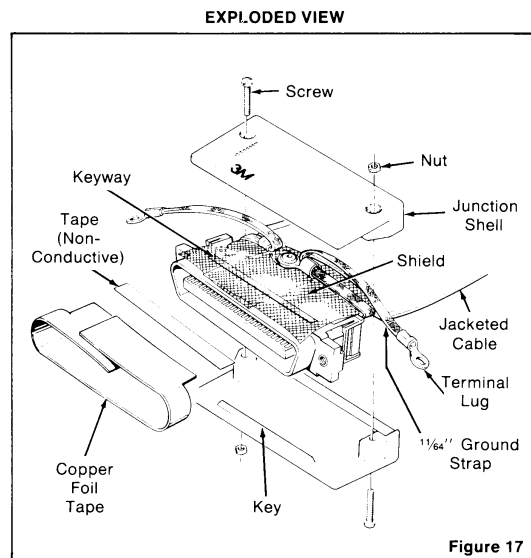


Figure 17

Junction Shell Installation

Jacketed Cable (Figure 18)

1. Remove 1.5" (38 mm) of jacket from cable end as shown. See Instructions on Use of Scotchflex 3430-7000 Hand Tool for jacketed cable preparation.
2. Terminate connector as shown in "Assembly" section.
3. Engage junction shell ribs with corresponding connector slots.
4. Secure the junction shell with hardware provided.

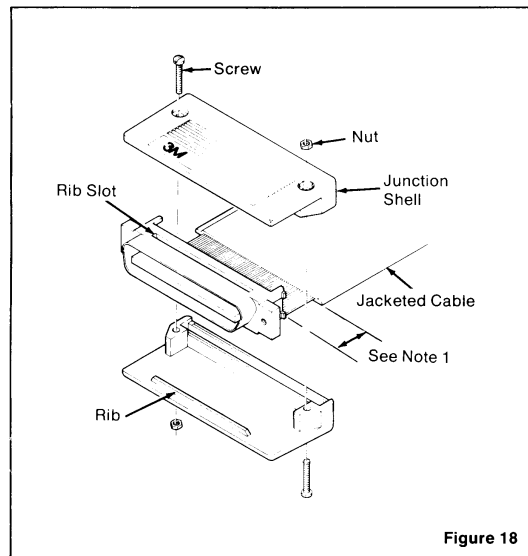


Figure 18

Junction Shell Installation

Non-Jacketed Cable (Figure 19)

1. Terminate connector as shown in "Assembly" section.
2. Remove paper liner from one side of each of the two adhesive strips provided.
3. Place an adhesive strip on each half of junction shell as shown.
4. Remove paper liners from the other side of adhesive strips.
5. Engage ribs of junction shell halves in corresponding connector rib slots.
6. Secure the junction shell with the hardware provided.

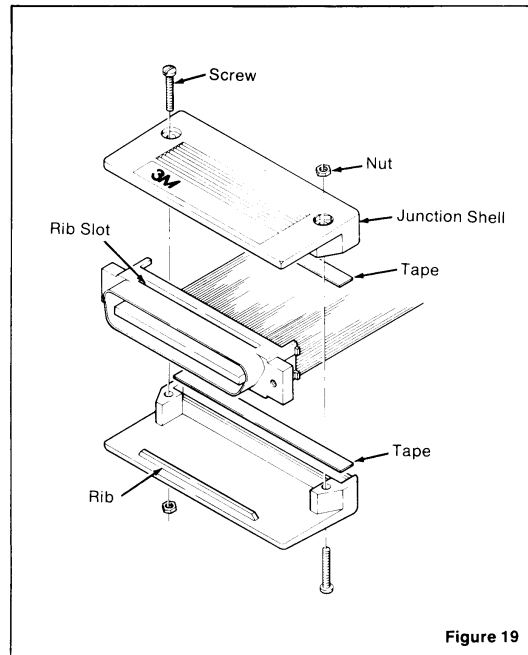


Figure 19

IEEE Junction Shell Installation

General

The Scotchflex 3485-2700 Junction Shell is intended for making up an IEEE type General Purpose Interface Bus. Twenty-four (24) position Scotchflex Delta Ribbon connectors 3548-1000 (Pin) and 3549-1000 (Socket) are positioned back to back to make the interface; Scotchflex jacketed shielded cable 3517/24 makes the bus. Both star and linear configurations can be made.

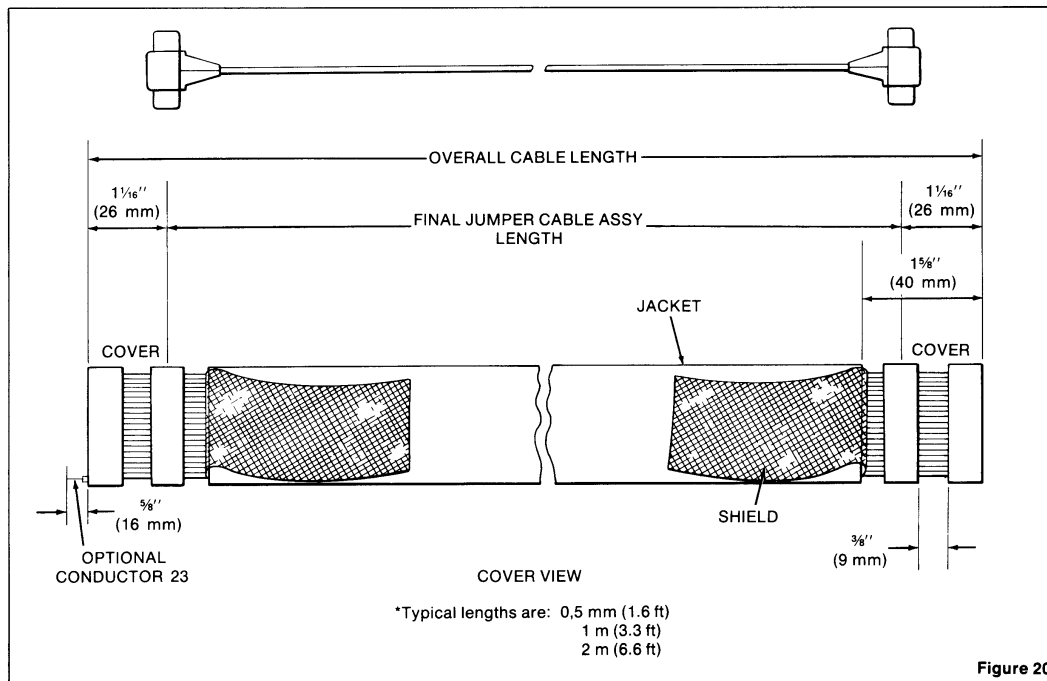
A method of commoning contact position (shield) to the shield is shown.

Assembly aids are offered by 3M to reduce assembly time and error. Assembly presses 3440A, 3640, 3335, 3335-1, 3339, or 3339-1 are recommended, along with cable shear 3437-1A, cutting guide 3507 and hand tool 3430-7000. Contact your Scotchflex distributor to order. A $\frac{3}{16}$ " and $\frac{5}{16}$ " flat tipped screwdriver, scissors, industrial safety razor blades and $\frac{1}{4}$ " wrench are also needed.

If contact position 12 (23rd conductor from the red edge) is soldered to the shield, a wire stripper and soldering aids are also necessary.

Assembly

1. Cut cable to length (Figure 20) using Scotchflex press and cable shear.
2. Remove excess jacket (Figure 20) using Scotchflex hand tool and cutting guide.



3. Slit the cable shield at both edges with scissors. (Figure 21)

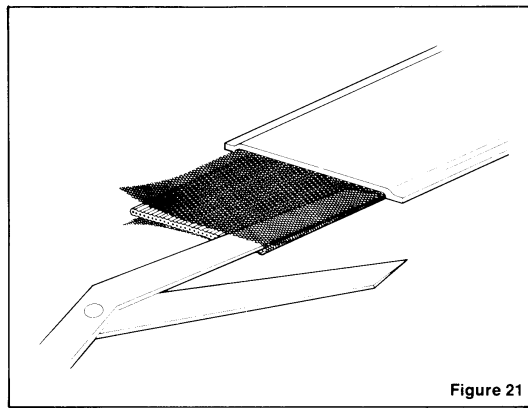


Figure 21

4. Slit 23rd conductor from red edge back $\frac{3}{4}$ " (19 mm) and lift to a 90° position. (Figure 22)
5. Trim the cable end back $\frac{5}{8}$ " (16 mm) keeping the cable end perpendicular to its length.
6. Strip $\frac{1}{2}$ " (13 mm) insulation from 23rd conductor.

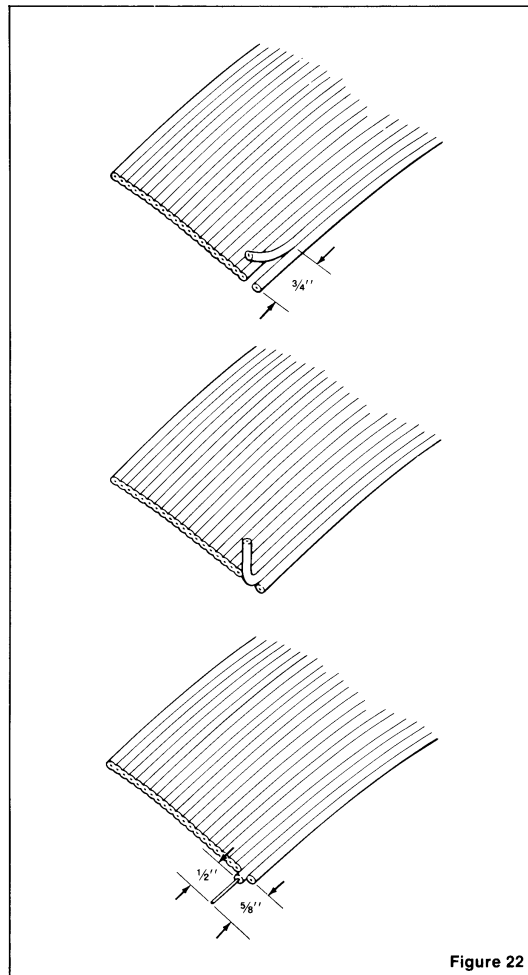
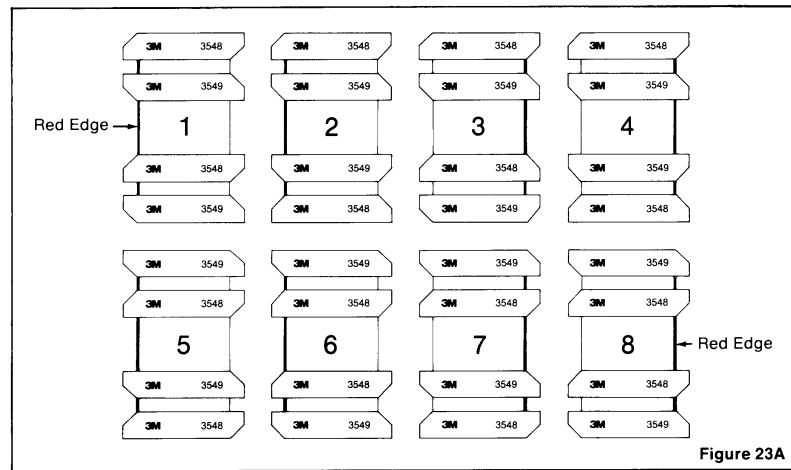


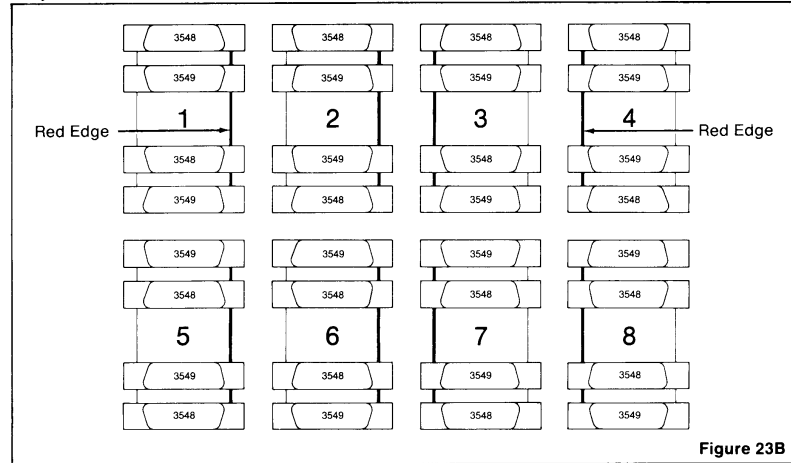
Figure 22

7. Assemble Scotchflex connectors 3548-1000 and 3549-1000 for a Type A, B or C configuration. (Figures 23A, 23B, 23C, 31, 32)

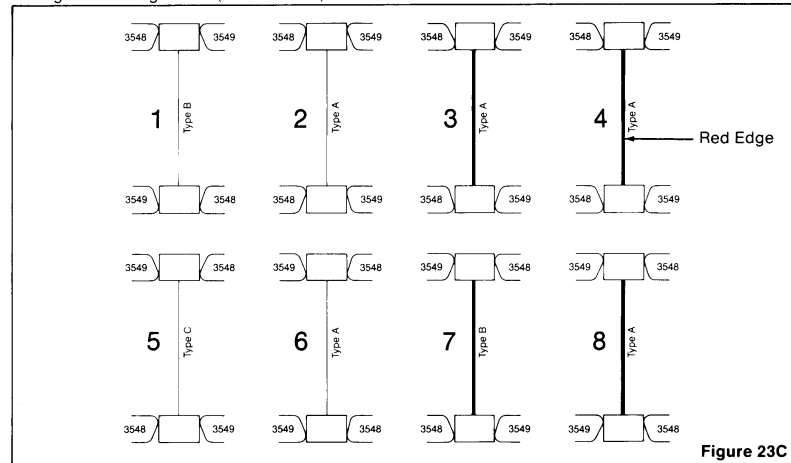
Cover Placement



Body Placement



Mating Face Configuration (back to back)



8. Adhere a strip of $\frac{1}{4}$ " x $1\frac{3}{8}$ " (6 mm x 35 mm) 3M #56 electrical tape over the exposed conductor ends (Figure 24).

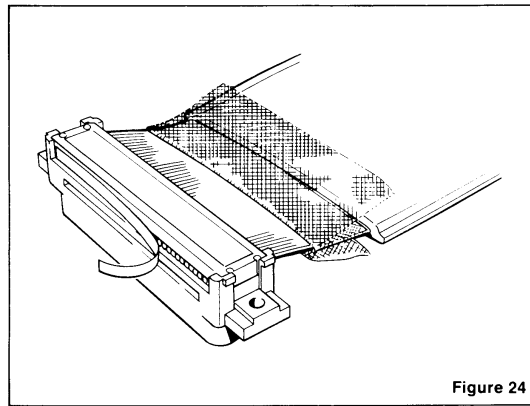


Figure 24

9. Bring connector covers back to back, extending the shield over connectors toward their mating face, while poking the shield wire through the shield (Figure 25).
10. Lay stripped shield wire against shield and solder.

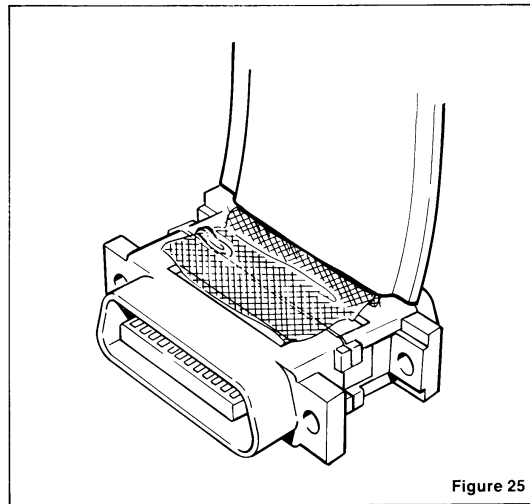


Figure 25

11. Position the junction shell body, cable clamps and hardware with the harness sub-assembly, and secure with the hardware provided using a $\frac{3}{16}$ " flat tipped screwdriver (Figure 26).
12. Trim excess shield with safety razor using shell as guide.

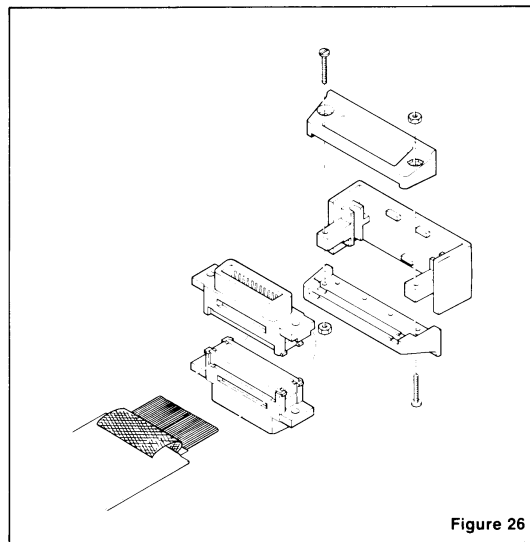
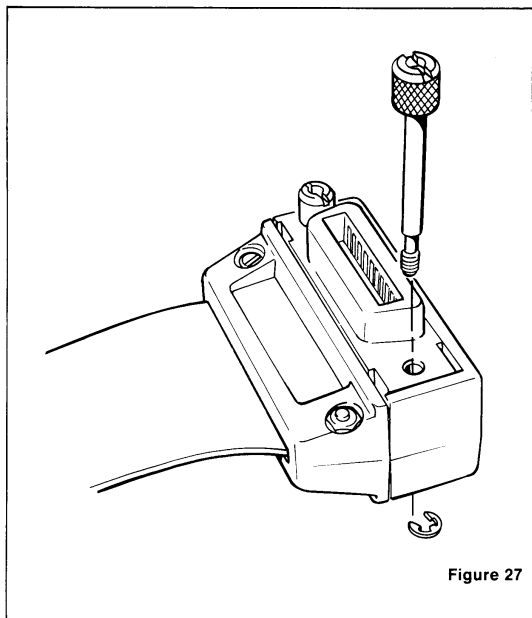


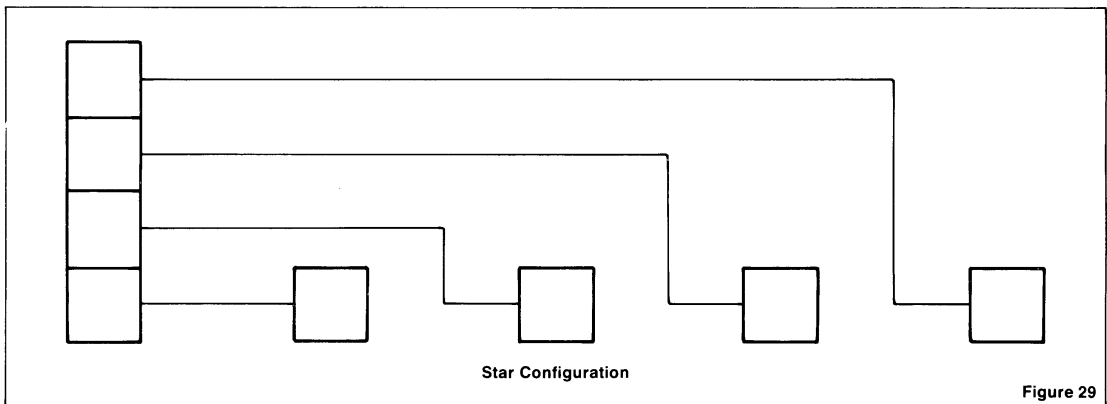
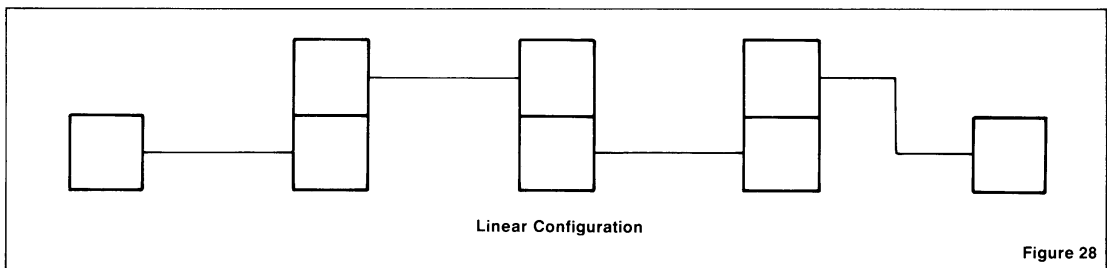
Figure 26

13. Insert jackscrews through the connector mounting holes and install screw retaining rings. (Figure 27)



14. Install GPIB harness as a linear or star configuration (Fig. 28-32).

NOTE: Total length of combined harnesses not to exceed 20 meters (65 ft.). Total number of harnesses in any system not to exceed 15.



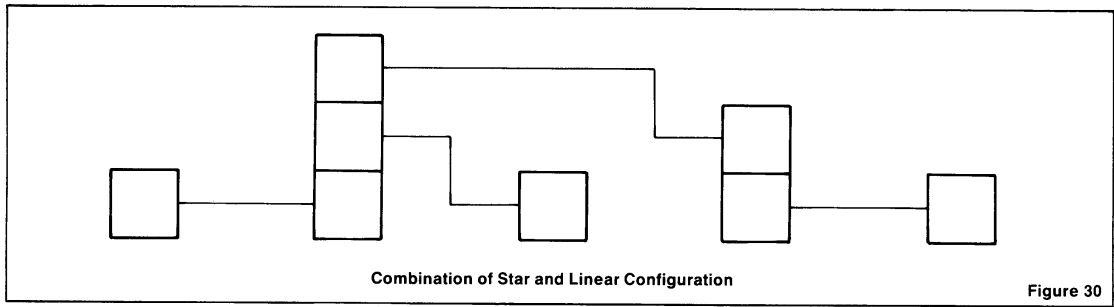


Figure 30

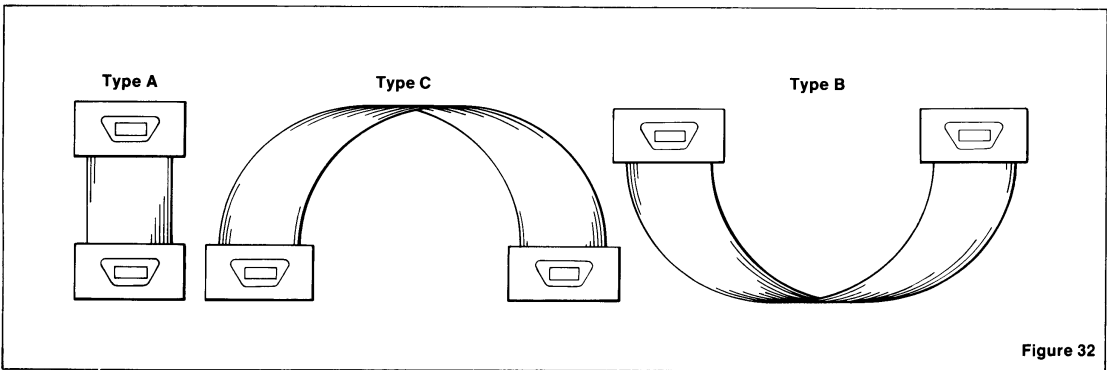
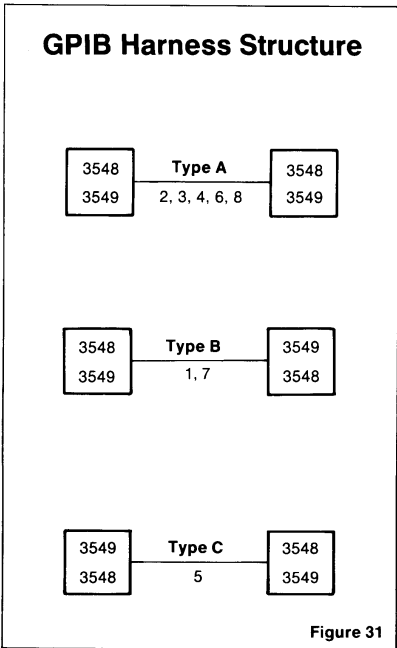


Figure 32

Front Panel Mount or Cable to Cable Interconnection

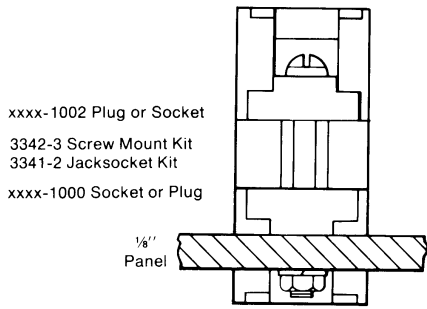


Figure 33 Use for Front Panel Mount or Cable to Cable.

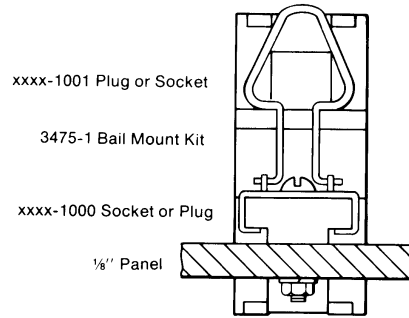


Figure 34 Front Panel Mount of Cable to Cable using bail versions.

Rear Panel Mount Interconnection

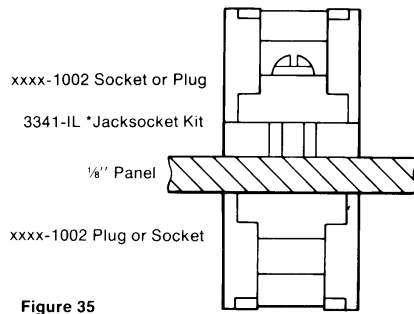


Figure 35

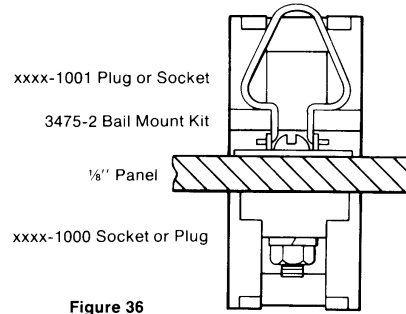


Figure 36

*Lockwashers and nuts are used only with 1/8" panel thickness.
Adhesive sealant is recommended on threads for 1/8" panel thickness.

IEEE 488 Type Harness Assembly Panel Mount

Front Panel Mount

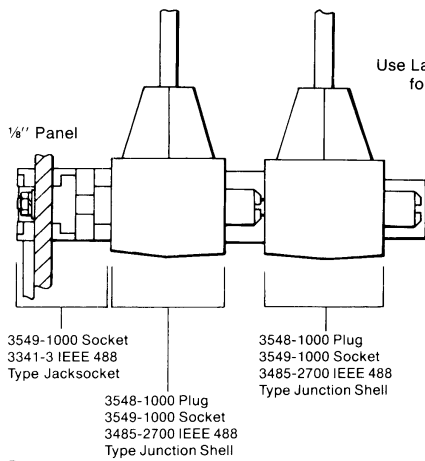


Figure 37

Rear Panel Mount

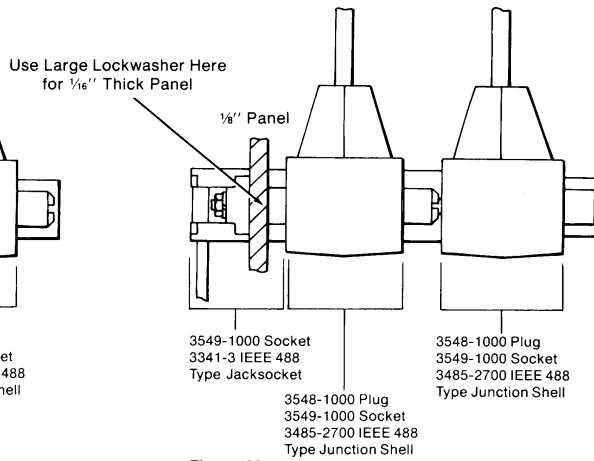
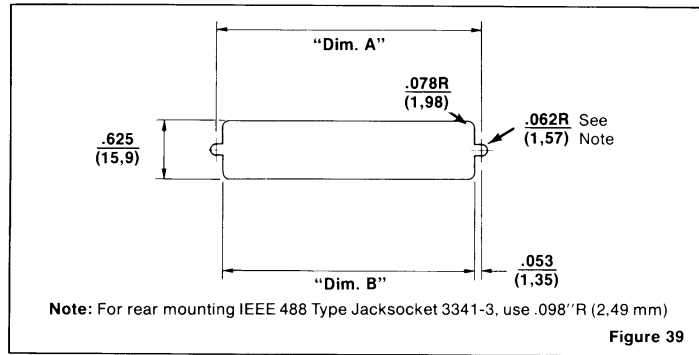


Figure 38

Recommended Panel Cut-Out Configuration



CONTACT QUANTITY	3M PART NUMBER	MOUNTING METHOD	DIMENSION A ± $\frac{.010}{.000}$ (.25)/(,00)	DIMENSION B ± $\frac{.010}{.000}$ (.25)/(,00)
14	3572, 3573	FRONT	$\frac{1.416}{(35,97)}$	$\frac{1.310}{(33,27)}$
24	3548, 3549	FRONT	$\frac{1.841}{(46,76)}$	$\frac{1.735}{(44,07)}$
36	3366, 3367	FRONT	$\frac{2.351}{(59,72)}$	$\frac{2.245}{(57,02)}$
50	3564, 3565	FRONT	$\frac{2.946}{(74,83)}$	$\frac{2.840}{(72,14)}$
14	3572, 3573	REAR	$\frac{1.416}{(35,97)}$	$\frac{1.151}{(29,24)}$
24	3548, 3549	REAR	$\frac{1.841}{(46,76)}$	$\frac{1.575}{(40,26)}$
36	3366, 3367	REAR	$\frac{2.351}{(59,72)}$	$\frac{2.085}{(52,96)}$
50	3564, 3565	REAR	$\frac{2.946}{(74,83)}$	$\frac{2.700}{(68,58)}$

Important Notice:

All statements, technical information and recommendations related to the Seller's products are based on information believed to be reliable, but the accuracy or completeness thereof is not guaranteed. Before utilizing the product, the user should determine the suitability of the product for its intended use. The user assumes all risks and liability whatsoever in connection with such use.

Any statements or recommendations of the Seller which are not contained in the Seller's current publications shall have no force or effect unless contained in an agreement signed by an authorized officer of the Seller. The statements contained herein are made in lieu of all warranties, express or implied, including but not limited to the implied warranties of merchantability and fitness for a particular purpose which warranties are hereby expressly disclaimed.

SELLER SHALL NOT BE LIABLE TO THE USER OR ANY OTHER PERSON UNDER ANY LEGAL THEORY, INCLUDING BUT NOT LIMITED TO NEGLIGENCE OR STRICT LIABILITY, FOR ANY INJURY OR FOR ANY DIRECT OR CONSEQUENTIAL DAMAGES SUSTAINED OR INCURRED BY REASON OF THE USE OF ANY OF THE SELLER'S PRODUCTS THAT WERE DEFECTIVE.

34-7017-3355-1(5.030)BP

©1990 Minnesota Mining & Manufacturing Co.

Litho in U.S.A.

3M Electronic Products Division
PO Box 2963
Austin, Texas 78769-2963

