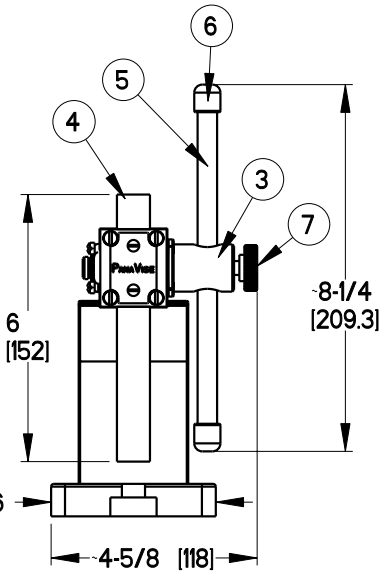


PRODUCT SPECIFICATION SHEET			DWG NO.	502-SP	
REVISIONS			TITLE		
REV	ECO	DESCRIPTION	BY/DATE	CHK'D/DATE	
A		INITIAL RELEASE	IB 11-21-95		
B	1003	CHANGED 2.225 AND 1.20 FROM FRACTIONS.	IB 9-30-97		

ALL DIMENSIONS ARE FOR REFERENCE ONLY
DIMENSIONS ARE IN INCHES [MILLIMETERS]
UNLESS OTHERWISE NOTED



SPECIFICATIONS

- CAPACITY 500 LBS [227 KG] FORCE
- OVERALL HEIGHT ... 12-3/4 [326] MAXIMUM
- SHIPPING WEIGHT ... 5.95 LBS [2.7 KG]
- COLOR SILVER
- THROAT DEPTH 2-1/4 [59]
- RAM CLEARANCE ... 3-13/16 [96.8]

- MATERIAL:**
- 1. BASE ZINC DIE CAST - PAINTED
 - 2. UPRIGHT ZINC DIE CAST - PAINTED
 - 3. PINION SHAFT 12L14 STEEL
BLACK OXIDE
 - 4. GEAR RACK MILD STEEL, 3/4" SQUARE
BLACK OXIDE FINISH ON TEETH
GROUND FINISH THREE SIDES
 - 5. LEVER ROD COLD ROLLED STEEL
BRIGHT ZINC PLATE
 - 6. LEVER ROD CAPS ... VINYL - BLACK
 - 7. KNOB PLASTIC - BLACK
 - 8. GIB SCREWS NYLON - WHITE

ALL DESIGN, OPERATIVE, AND PROCESS DATA PERTAINING TO THE ARTICLE ON THIS SHEET IS THE PROPERTY OF PANAVISE PRODUCTS, INC., RENO, NV. THIS INFORMATION IS DISCLOSED IN CONFIDENCE AND IS NOT TO BE COPIED, REPRODUCED, OR REVEALED TO OR APPROPRIATED BY OTHERS IN PART OR IN WHOLE, WITHOUT THE EXPRESSED CONSENT OF PANAVISE. THIS PRINT IS LOANED, AND MUST NOT BE USED IN ANY MANNER DETRIMENTAL TO THE INTEREST OF PANAVISE, AND MUST BE RETURNED ON DEMAND.



BASIC DIM. ENGLISH (ALTERNATE DIM. METRIC)				SIZE	DWG. NO.	REV
DRAWN	DATE	SCALE	SHT 1 OF 1	A	502-SP	B
J CIROTA	APR 03	3:10				

TITLE
**PANAPRESS
MODEL 502**