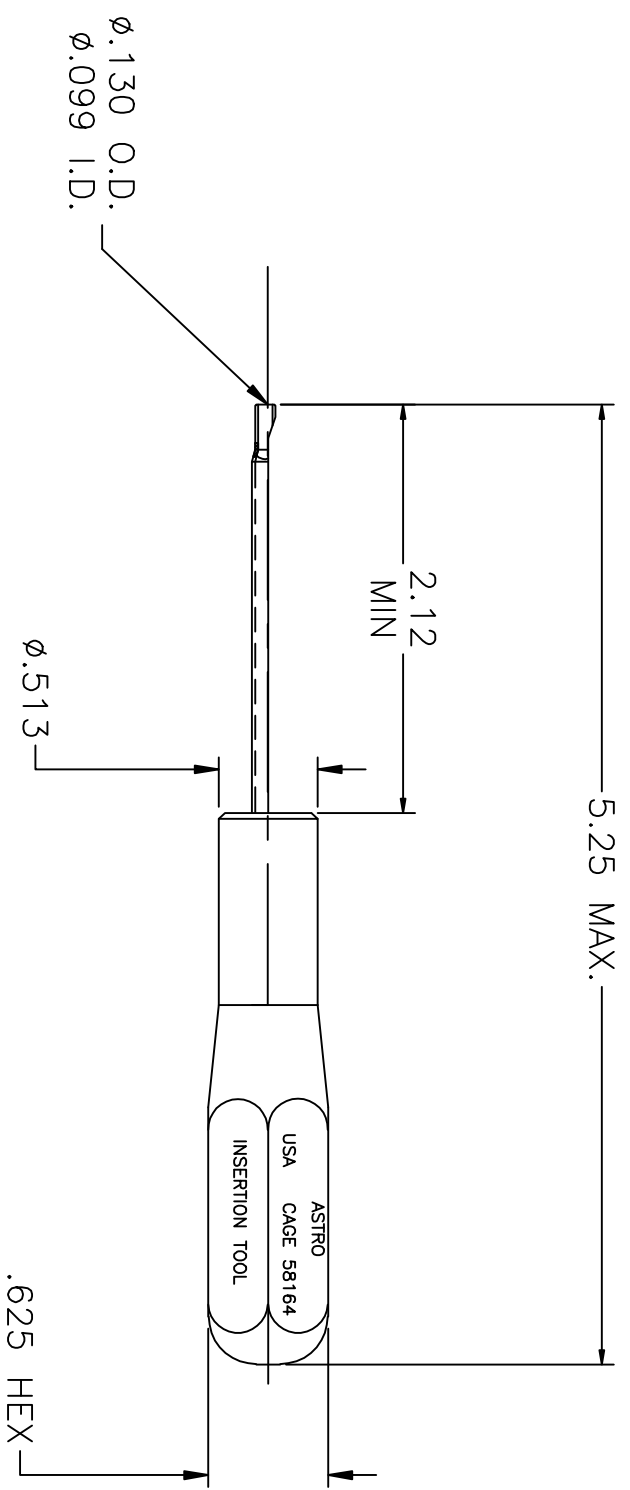



ATML1704B-ENV



**UNCONTROLLED DOCUMENT
WILL NOT BE UPDATED**

NOTES: 1. THIS IS AN AUTOCAD DRAWING, DO NOT CHANGE MANUALLY.
2. COLOR CODE: BLUE.

REV.	DESCRIPTION	BY	DATE	APR.	SCALE:	UNLESS OTHERWISE SPECIFIED:	 ASTRO TOOL CORP. 21615 S.W. TUALATIN VALLEY HWY., BEAVERTON OR 97006	CAGE 58164
A	NEW RELEASE.	DY0	09-03-09	MMK	N.T.S.	DECIMALS: .XXX ± .005 .XX ± .010 .X ± .030 ANGLES: ± 1°		DESCRIPTION: ENVELOPE DRAWING: ATML 1704B INS. TOOL, 16 GA, M81969/17-04 PART NO. A ATML1704B-ENV
					DWN BY: DY0 DATE: 09-03-09 APPROVED:	THESE DRAWINGS, SPECIFICATIONS OR OTHER DATA ARE AND REMAIN THE PROPERTY OF ASTRO TOOL CORP. AND MUST BE RETURNED UPON REQUEST. THEY CONTAIN INFORMATION OWNED AND/OR DEVELOPED BY ASTRO AT ITS OWN PRIVATE EXPENSE AND MAY NOT BE USED, DUPLICATED OR DISCLOSED TO OTHERS, IN WHOLE OR IN PART FOR DESIGN, MANUFACTURE OR PROCUREMENT WITHOUT THE WRITTEN PERMISSION OF ASTRO TOOL CORP. EACH AND EVERY TIME.		