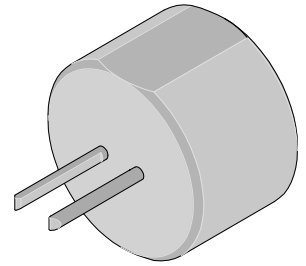




Extractor Tool Instruction Sheet Order No. 63813-2300



FEATURES

- This Extractor Tool is for the removal of 98915 & 64323 Series female terminals from CMC connector.

SCOPE

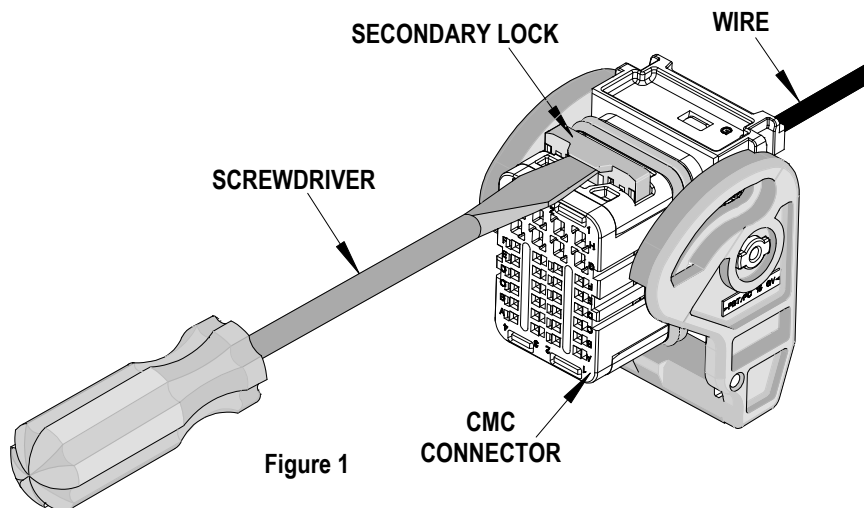
Products: 1.50mm (.059") CP Crimp Terminal for CMC connector.

Terminal Series No.	Terminal Order No.
98915	98915-1029
	98915-1039
	98915-1219
	98915-1319
64323	64323-1029
	64323-1039
	64323-1219
	64323-1319

OPERATION:

When removing a damaged crimped wire from the CMC connector follow the steps below:

1. The secondary lock on the CMC connector will need to be opened first. See Figure 1.
2. Using a screwdriver insert the flat edge under the tab of the secondary lock and pull up. Use your fingers to open the lock completely.



- Position the blades of the extraction tool into the two small cavities of the slot in the front face of the housing as shown in Figure 2. Use the identifying markings on both the front and back of the connector to locate the opening used to extract the crimped wire.

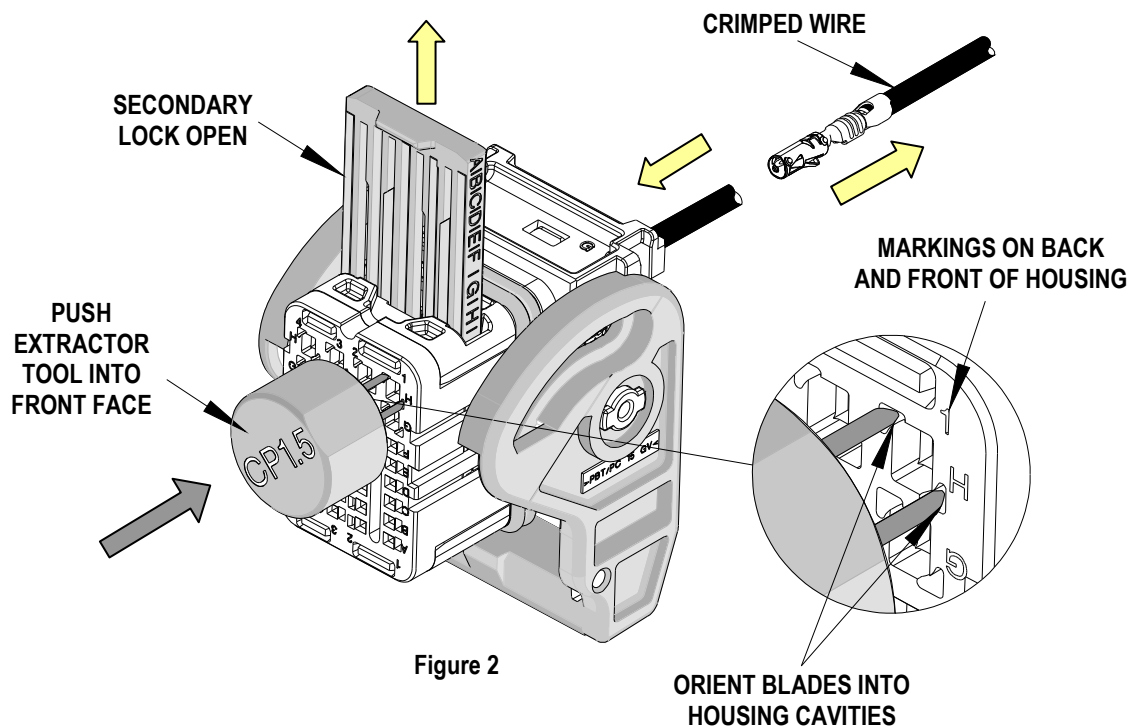


Figure 2

- Push extractor tool into the desired slot until it clicks or comes to a stop. Do not force the extractor tool any further or there can be damage to the housing.
- Gently push the wire forward towards the housing and then pull out of the CMC housing.
- Molex does not offer repair parts for Extractor Tools due to the inexpensive nature of these tools.

Americas Headquarters
 Lisle, Illinois 60532 U.S.A.
 1-800-78MOLEX
 amerinfo@molex.com

Far East North Headquarters
 Yamato, Kanagawa, Japan
 81-462-65-2324
 feninfo@molex.com

Far East South Headquarters
 Jurong, Singapore
 65-6-268-6868
 fesinfo@molex.com

European Headquarters
 Munich, Germany
 49-89-413092-0
 eurinfo@molex.com

Corporate Headquarters
 2222 Wellington Ct.
 Lisle, IL 60532 U.S.A.
 630-969-4550
 Fax: 630-969-1352

Visit our Web site at <http://www.molex.com>