

Extraction Tool 1490584-1

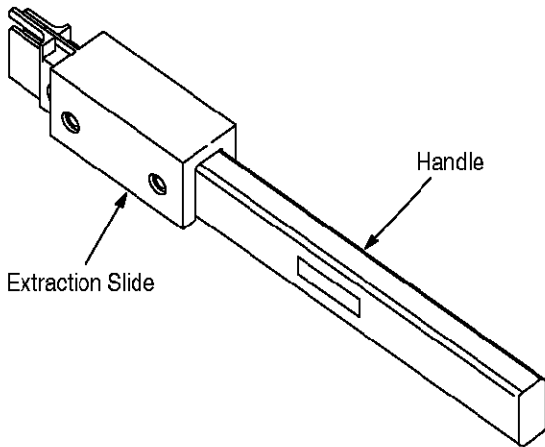


Figure 1

1. INTRODUCTION

AMP Extraction Tool 1490584-1 is designed to extract .8 mm AMPMODU Micro Interconnect Contacts from their housings. Read these instructions thoroughly before attempting to extract contacts.

2. DESCRIPTION

The extraction tool consists of a handle and a movable extraction slide. The extraction slide is used to push the contacts out of position once the locking latch is depressed. See Figure 1.

3. EXTRACTION PROCEDURE (Figure 2)

1. Place the extraction tool in position shown in Figure 2.
2. Push the tool onto the connector body straddling the connector wall and the contact to be removed.
3. With the tool bottomed onto the connector, slide the extraction slide forward, thus pushing the contact out of position.
4. Remove the contact, with wire, from the rear of the connector.

NOTE

Be sure the contact has been backed partially out of position before tugging on the wire to remove the contact.

4. TOOL REORDERING INFORMATION

Extraction Tool 1490584-1 is not repairable and should be replaced when it is worn or damaged.

Additional tools can be purchased from:

CUSTOMER SERVICE (38-35)
TYCO ELECTRONICS CORPORATION
P.O. BOX 3608
HARRISBURG, PA 17105-3608

5. REVISION SUMMARY

Per EC 0990-1098-01

- Initial release of instruction sheet

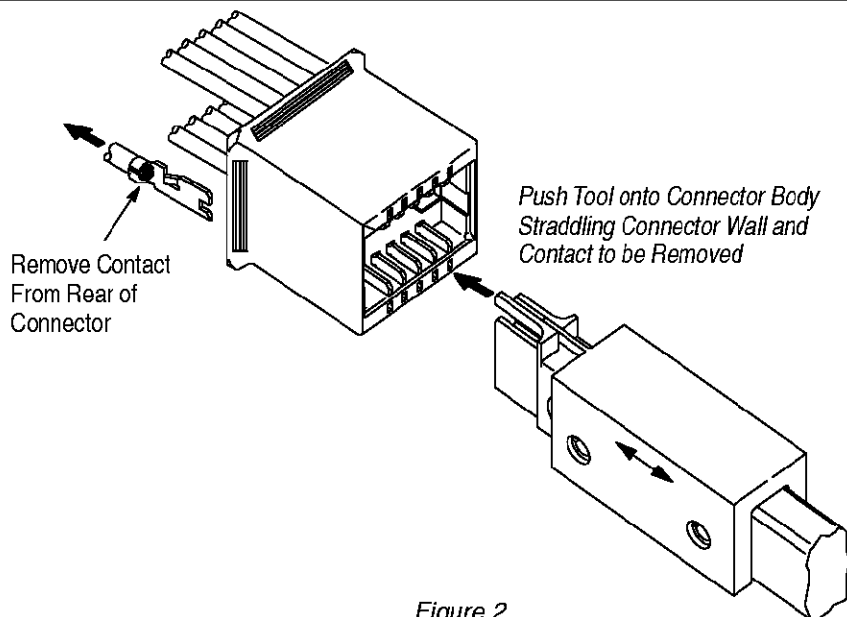


Figure 2