

Figure 1

### 1. INTRODUCTION

AMP\* Extraction Tool 91308-1 is designed to remove AMPINNERGY\* WTB (wire-to-board) contacts from plug connector housings. Read these instructions carefully before using the tool.

### 2. DESCRIPTION

The extraction tool consists of a plastic handle, ejector, latch lifter, and a steel blade tool tip with a chamfer. When properly inserted into the housing

contact cavity, the tool tip and latch lifter function as a latch release, allowing the ejector to push the contact from the housing.

### 3. EXTRACTION PROCEDURE (Figure 2)

1. Align the tip of the tool with the applicable contact cavity on the mating face of the housing. Position the tip so that the chamfer is facing the top of the contact cavity.

2. Retract the ejector, and gently insert the tip into the contact cavity until the latch lifter is positioned under the internal housing latch.

**NOTE** To ensure proper position, angle the tool tip when inserting it into the contact cavity so that the tip slides along the contact, instead of entering the contact.

3. Push the tool handle until the ejector is positioned over the housing contact stop. Using the contact stop for leverage, gently pry the internal housing latch away from the contact.

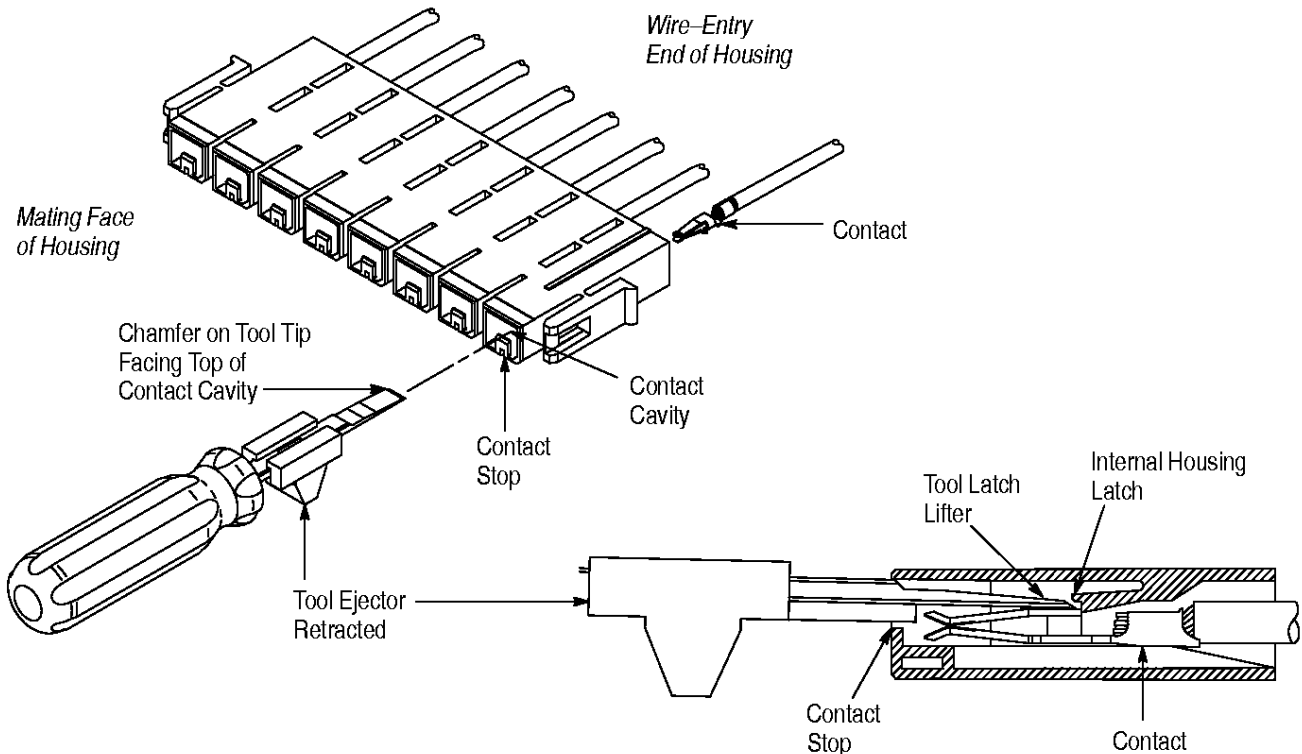


Figure 2

4. While holding the tool in position, slide the ejector forward to eject the contact from the housing.

**CAUTION**

*Do NOT use excessive force when extracting contact from cavity. If you experience difficulty in removing the contact, re-insert the tool tip, making sure the tip is properly positioned in the cavity, and try again.*

**4. TOOL MAINTENANCE**

It is recommended that the extraction tool be inspected when you receive it and at regularly scheduled intervals. The tool is not repairable and should be replaced when it is worn or damaged. Store the tool in a clean, dry place and clean the tool with a soft, lint-free cloth.

Additional tools can be purchased from:

CUSTOMER SERVICE (38-35)  
AMP INCORPORATED  
PO BOX 3608  
HARRISBURG PA 17105-3608

**5. REVISION SUMMARY**

Per EC 0990-0998-98:

- Initial release of instruction sheet